

**SPECIFICATION SHEET FOR CO SENSOR TYPE CO/SFA-10'000-S****PERFORMANCE CHARACTERISTICS**

Nominal Range	0 – 10'000 ppm
Maximum Overload	Nd
Inboard Filter	To remove acid gases from flue stream
Expected Operation Life	3 years in air
Output Signal	15 ± 4 nA/ppm
Resolution	5 ppm
Temperature Range	- 20 °C to 50 °C
Pressure Range	Atmospheric ± 10%
Pressure Coefficient	No data
T <sub>90</sub> Response Time	< 40 sec
Relative Humidity Range	15 % to 90 % R.H. non-condensing
Typical Baseline Range (pure air, 20°C)	-8 to + 21 ppm
Maximum Zero Shift (+20°C to +40°C)	Nd
Expected Long Term Output Drift	< 2 % signal loss/month
Recommended Load Resistor	10 Ohm
Bias Voltage	Not recommended
Repeatability	< 2 % of signal
Output Linearity	Linear

**CROSS-SENSITIVITY DATA**

Interfering Gas	Cross-Sensitivity (%)
H <sub>2</sub> S	0
SO <sub>2</sub>	0
NO	0
NO <sub>2</sub>	0
H <sub>2</sub>	< 20

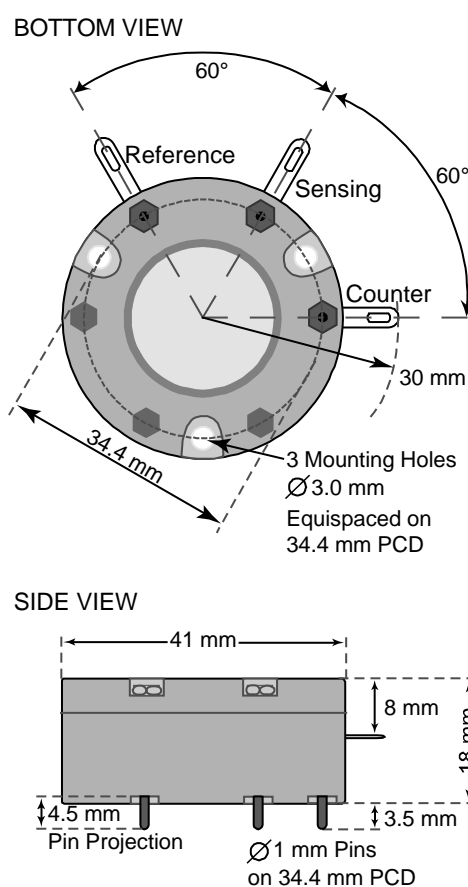
Performance data conditions:  
20 °C, 50% RH and 1013 mbar

**APPLICATIONS**

Stack/ Flue Gas Monitoring

**PHYSICAL CHARACTERISTICS**

Weight	~ 27 g
Position Sensitivity	None
Storage Life	Six months in container
Recommended Storage Temperature	5 °C – 20 °C
Warranty Period	12 months from date of dispatch

**Slim-Size Outline Dimensions**

REV.: 8/2007

Page 1 of 1

Phone: +41 43 311 72 00  
Fax : +41 43 311 72 01  
Email: [info@membrapor.ch](mailto:info@membrapor.ch)  
[www.membrapor.ch](http://www.membrapor.ch)

MEMBRAPOR AG  
Birkenweg 2  
CH-8304 Wallisellen  
Switzerland