

ALL PRODUCT SPECIFICATIONS ARE APPLICABLE AT STANDARD CONDITIONS:
1013 MILLIBAR, 25°C DRY AIR.

REV	DCO'S AFFECTING THIS DRAWING	DATE	APPROVED
A	INITIAL REL. #692	10/29/96	AR
F	DCO # 2701 CORRECTED NOTE 1, 2, 3, 5, AND 6	3/5/02	<i>[Signature]</i>

1. Output: (Compatible with Teledyne T-7 sensor)
7.5 TO 12.5mV @ ambient air
2. Operation:
 1. Temperature: 0 to 40° C
 2. Ambient pressure: 750 - 1250 mbar
 3. Relative Humidity: Up to 99% Rh
(Condensing atmosphere over several hours)
3. Storage Temperature Range:
-20 to 50° C
5 to 15° C Recommended
4. Range of Measurement (Full Scale):
0 to 100% oxygen
5. Zero Offset:
<200uV Oxygen, when nitrogen applied for 5 minutes
6. 90% Response Time:
Less than or equal to 8 seconds.
7. Linearity:
< 3.0% of full scale
8. Stability:
Less than 1% of full scale over an 8 hour period
between 20% and 100% oxygen.

9. Repeatability:
±1% Volume O₂ at 100% O₂
applied for 5 minutes
10. Interference:
Less than 0.5% O₂ response to:
10.0% CO₂ balance N₂
80.0% N₂O balance N₂
7.5% Halothane balance N₂
7.5% Isoflurane balance N₂
7.5% Enflurane balance N₂
9.0% Sevoflurane balance N₂
20.0% Desflurane balance N₂
11. Nominal Sensor Life:
>500,000% O₂ hours
12. Warm Up Time:
Less than 30 minutes after
replacement of sensor.
13. Electrical Interface:
Female Jack, 4 Pins
(AMP #520257-2 or equivalent)

MAR 12 2007
[Signature]

UNLESS OTHERWISE SPECIFIED
DIMENSIONS ARE IN INCHES
AND PER ANSI Y14.5-1982

.XX = ±.01
.XXX = ±.005
.XXXX = ±.002

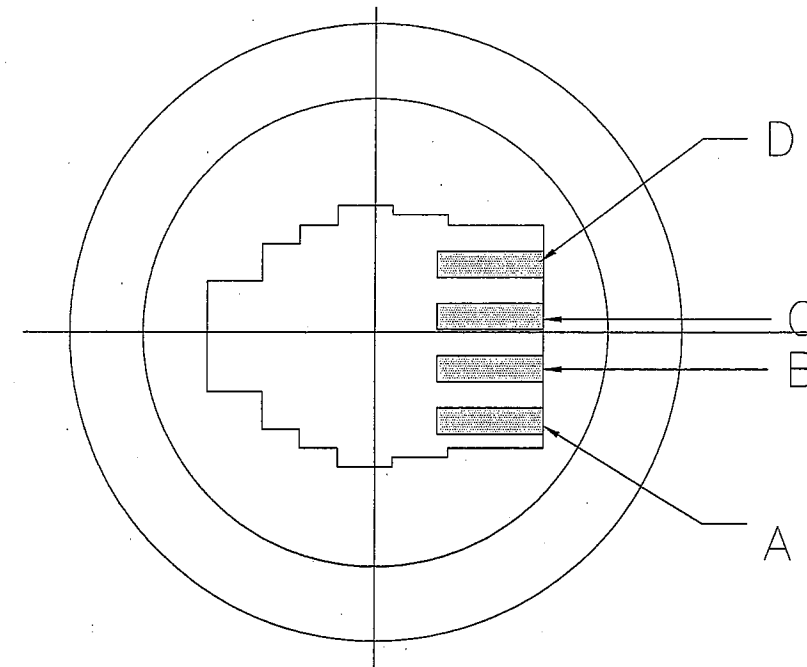
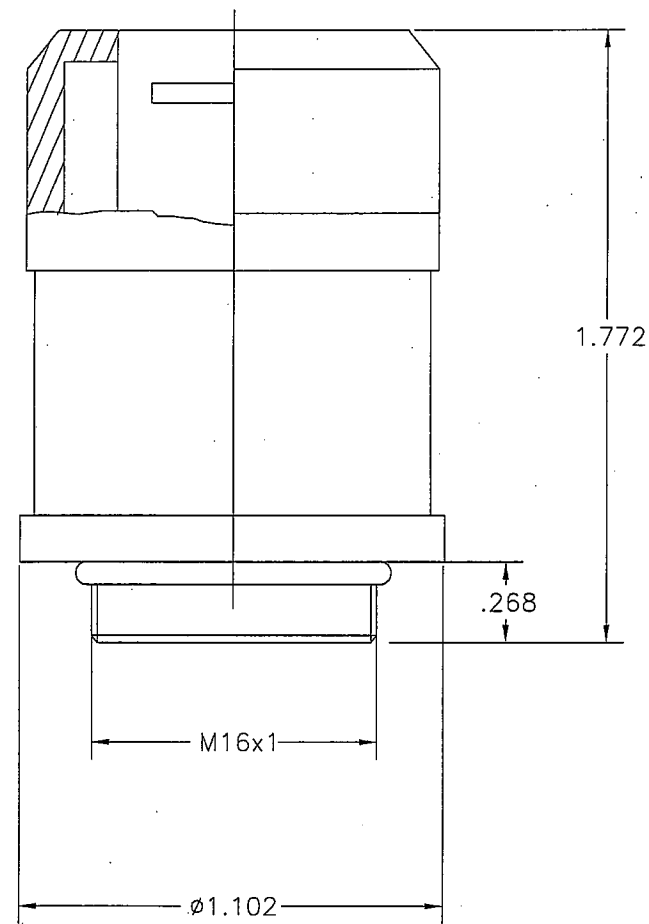
ANGLES
±1'30"

maxtec®
SALT LAKE CITY, UTAH 84107

SPECIFICATION,
MAX-17 OXYGEN SENSOR

QA T. COOK	2/15/07	PREP E. CUTLER	9/30/96
MFG G. ROTH	2/20/07	CHKR B. HAMATAKE	10/29/96
		ENG D. ZITTING	2/15/07

SIZE B	FSCM NO. 1S815	NUMBER R116P15	REV F
SCALE NONE		SHEET 1 OF 2	



A: NO CONNECTION
 B: (+)
 C: (-)
 D: TEMPERATURE CONTROL

SIZE B	FSCM NO. 1S815	NUMBER R116P15	REV F
SCALE .50 = 1.0		SHEET 2 OF 2	