

REVISIONS			
REV.	DCO'S RELATED TO THIS DRAWING	DATE	APPROVED
A	INITIAL REL.# 2998	06/00/00 9/10/08	<i>[Signature]</i>

1. Output:

9.5 to 16 mV in air at 1013 millibar pressure, 50% RH and a temperature range of 25° C

2. Operating Temperature:

5° to 55° C

3. Recommended Storage Conditions

Optimal Storage Temperature (Recommended): 5° to 30° C  
 Maximum Storage Temperature: -20° to 60° C  
 Storage Ambient Pressure: 750 to 1250 hPa  
 Storage Humidity: Up to 100% RH  
 Storage Shelf Life: 6 Months

5. Range of Measurement (Full Scale)

0-100% Oxygen

6. Zero Offset:

Less than or equal to 200  $\mu$ V when exposed to 100% nitrogen for 5 min.

7. 90% Response Time

Less than or equal to 12 seconds at 25° C

8. Linearity:

Within  $\pm$  2.0% of full scale when calibrated in 100% Oxygen

9. Pressure Range:

750 to 1250 hPa

10. Recommended Load Resistor  $\geq$  10 kOhm

11. Stability (Drift)

Less than 1% of full scale over a month at air, constant temperature, pressure and humidity.

12. Interference:

According DIN EN 12598 and DIN EN ISO 21647

13. Temperature Compensation:

NTC

14. Sensor Life:

1,500,000 Vol.% Oxygen hours under normal operating conditions\*

15. Humidity:

-0.03% rel. Oxygen reading per % Relative Humidity (RH)

16. Electrical Interface:

3-Pin Molex

17. Material in Contact With Media:

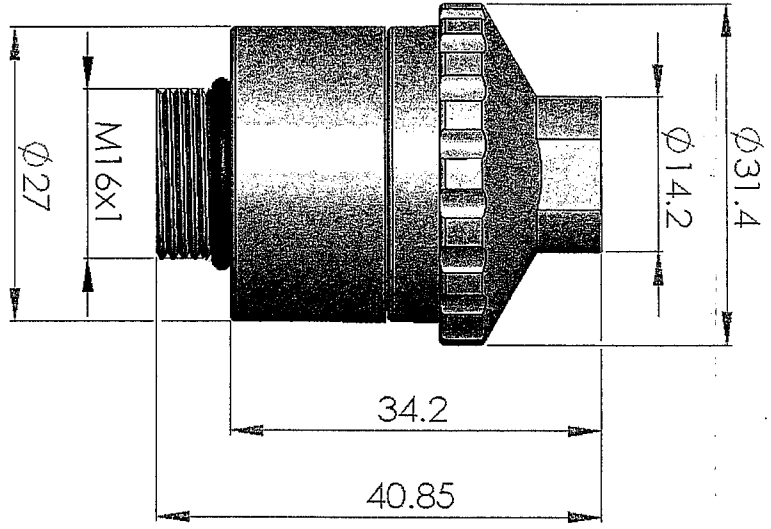
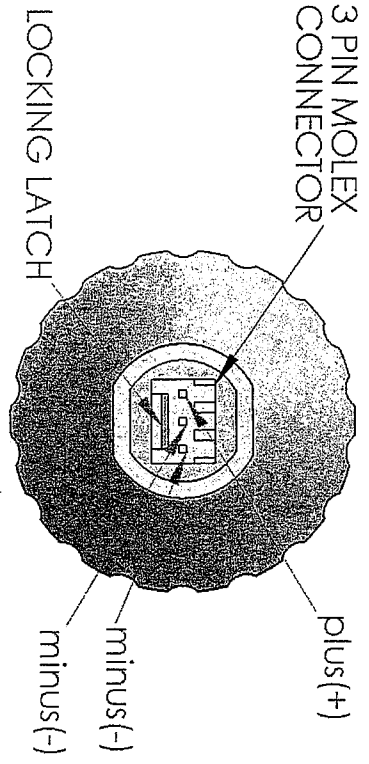
PA, PPS, PTFE, Stainless Steel

18. Housing Color:

Translucent

**AUTHORIZED COPY**  
 SEP 9 2008  
 EFFECTIVE DATE  
 VALID ONLY IF THIS STAMP IS RED

UNLESS OTHERWISE SPECIFIED DIMENSIONS ARE IN INCHES AND PER ANSI Y 14.5-1992		maxtec® SALT LAKE CITY, UTAH 84107	
XX = ±.01 XXX = ±.005 XXXX = ±.002	ANGLES ±1°30'	Specification, MAX-16HT Oxygen Sensor	
ORIGINATOR A. Boardman	18 Jul 08	SIZE <b>B</b>	DWG. NO. R114P74
CHECKED <i>[Signature]</i> 8/26/08	9/11/08	REV A	SCALE: 1:1
ENGR <i>[Signature]</i> 5/29/2008	5/29/08	SHEET 1 OF 2	
Q.A. X X X		PROPERTY INFORMATION MAXTEC INC.	



AUTHORIZED COPY  
~~SEP 9 2008~~  
 EFFECTIVE DATE  
 VALID ONLY IF THIS STAMP IS RED

SIZE	DWG. NO.	REV
<b>B</b>	R114P74	A
SCALE: 1:1		SHEET 2 OF 2
<small>PROPRIETARY INFORMATION                  MAXTEC INC.</small>		

R114P74A