

ALL PRODUCT SPECIFICATIONS ARE APPLICABLE AT STANDARD CONDITIONS:  
1013 MILLIBAR, 25°C DRY AIR.

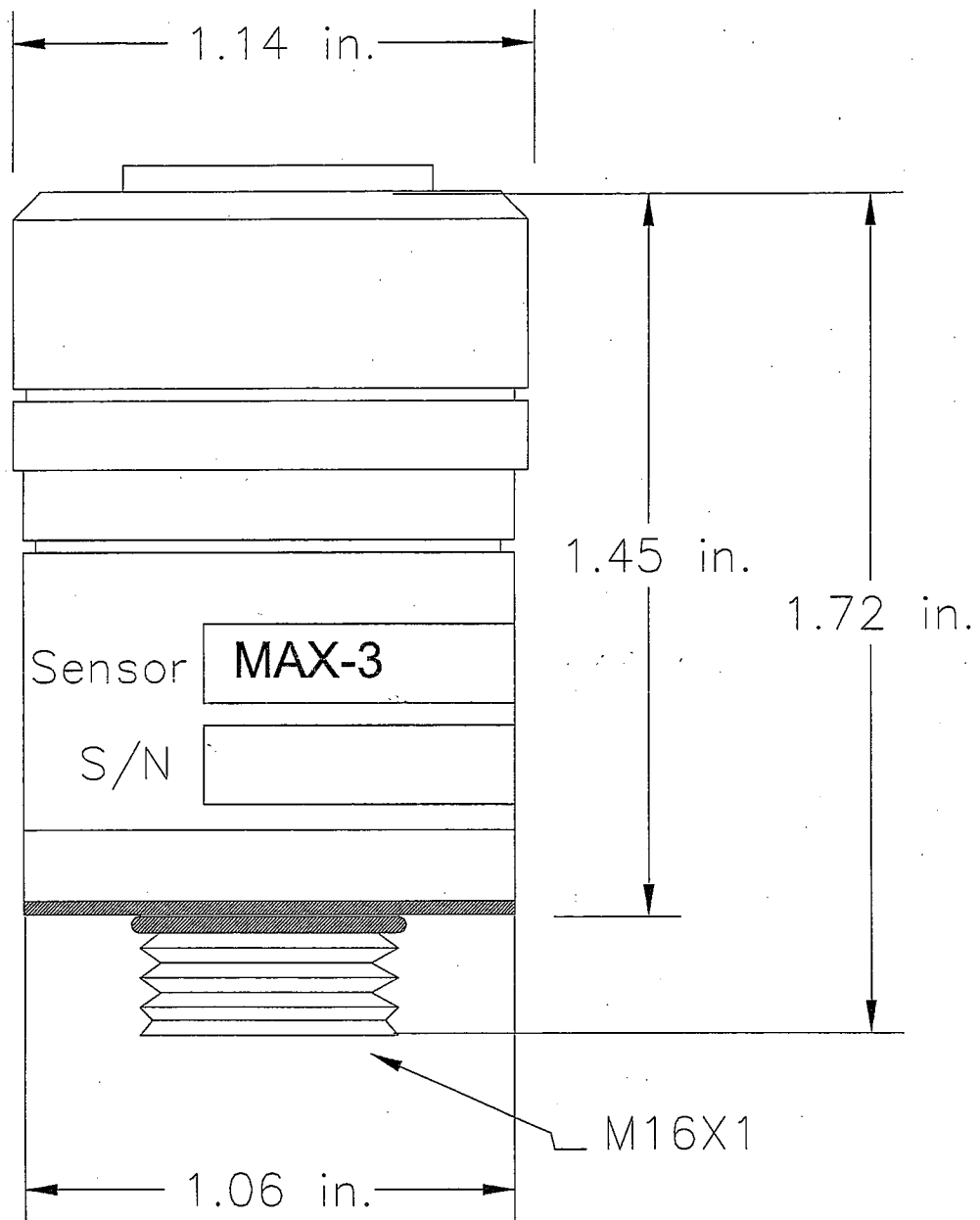
REV	DCO'S AFFECTING THIS DRAWING	DATE	APPROVED
A	INITIAL REL. DCO # 2692	2/14/07	<i>[Signature]</i>

1. Output:  
9 to 13 mv @ dry ambient air
2. Operation:
  1. Temperature: 0 to 40° C
  2. Ambient pressure: 750 to 1250 millibar
  3. Relative Humidity: Up to 100% Rh  
(Condensing atmosphere over several hours)
3. Storage Temperature Range:  
-20 to 50° C  
5 to 30° C Recommended
4. Range of Measurement (Full Scale):  
0 to 100% oxygen
5. Zero Offset:  
≤ 100 uV in 100% N<sub>2</sub> applied for 5 minutes
6. 90% Response Time:  
Less than or equal to 15 seconds.
7. Linearity:  
≤ 2% @ 100% O<sub>2</sub> applied for 5 minutes
8. Stability:  
< 1% volume O<sub>2</sub>/month @ air

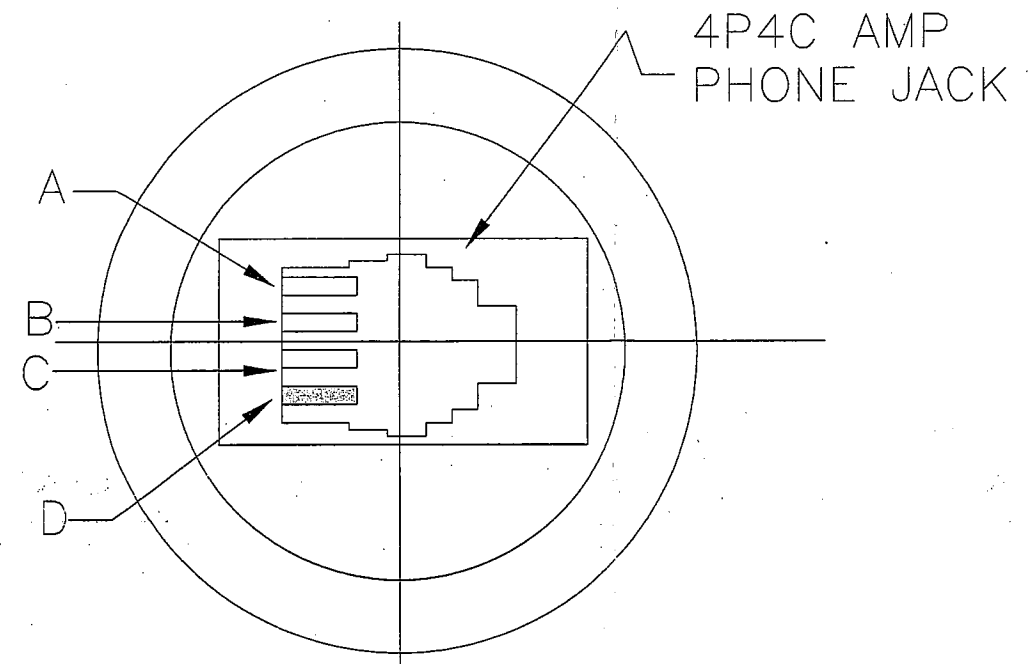
9. Repeatability:  
±1% Volume O<sub>2</sub> at 100% O<sub>2</sub>  
applied for 5 minutes
10. Interference:  
according  
DIN EN ISO 21647 and  
ISO 7767
11. Nominal Sensor Life:  
>500,000% O<sub>2</sub> hours
12. Electrical Interface:  
RJ11 Modular plug 4P4C

**AUTHORIZED COPY**  
FEB 21 2007  
EFFECTIVE DATE  
VALID ONLY IF THIS STAMP IS RED

UNLESS OTHERWISE SPECIFIED DIMENSIONS ARE IN INCHES AND PER ANSI Y14.5-1982				maxtec® SALT LAKE CITY, UTAH 84107			
.XX = ±.01		ANGLES		SPECIFICATION, MAX-3 OXYGEN SENSOR			
.XXX = ±.005		±1'30"					
.XXXX = ±.002				SIZE	FSCM NO.	NUMBER	REV
QA	ENG	PREP	12/12/06	B	1S815	R109P12	A
MFG	20 Feb 2007	CHKR	2/15/07	SCALE NONE		SHEET 1 OF 2	



Tolerance; ±.005 in.



- A = MINUS (-)
- B = SHORT CUT TO D
- C = PLUS (+)
- D = SHORT CUT TO B

**AUTHORIZED COPY**  
**FEB 21 2007**  
 EFFECTIVE DATE  
 VALID ONLY IF THIS STAMP IS RED

SIZE B	FSCM NO. 1S815	NUMBER R109P12	REV A
SCALE .50 = 1.0		SHEET 2 OF 2	

R109P12 A