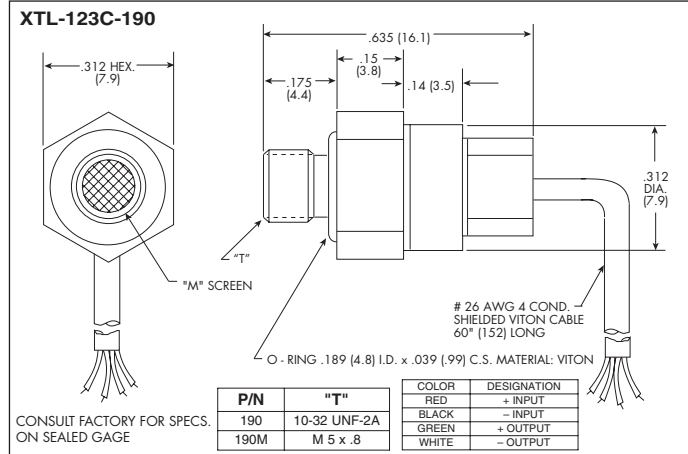
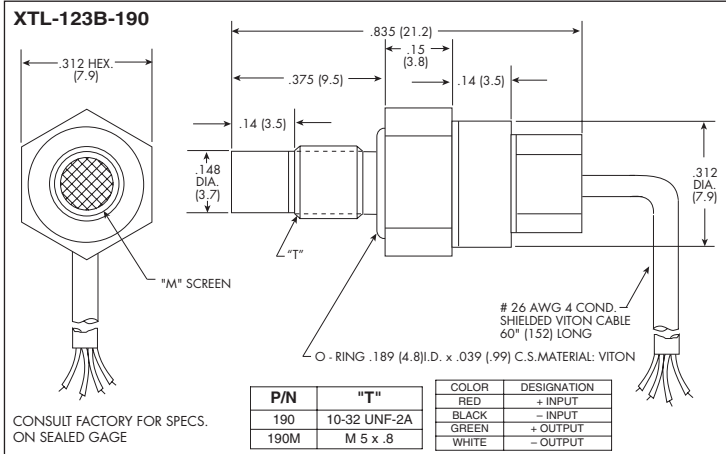




**RUGGEDIZED AUTOMOTIVE IS®
PRESSURE TRANSDUCERS**

XTL-123B-190 (M) SERIES XTL-123C-190 (M) SERIES

- Easy Installation
 - High Natural Frequency
 - 10-32 UNF or M 5 x .8 Thread
 - Wide Temperature Range
 - Compatible With All Automotive Fluids
 - Intrinsically Safe Patented Leadless Technology Applications
- Available (i.e. IS-XTL-123B-190 or IS-XTL-123C-190)



INPUT	1.0	1.7	3.5	7	17	35	70	100	210 BAR
Pressure Range	15	25	50	100	250	500	1000	1500	3000 PSI
Operational Mode	Absolute, Sealed Gage								
Over Pressure	2 Times Rated Pressure to a Maximum of 4500 PSI (315 BAR)								
Burst Pressure	3 Times Rated Pressure to a Maximum of 4500 PSI (315 BAR)								
Pressure Media	All Nonconductive, Noncorrosive Liquids or Gases (Most Conductive Liquids and Gases - Please Consult Factory)								
Rated Electrical Excitation	10 VDC								
Maximum Electrical Excitation	15 VDC								
Input Impedance	1000 Ohms (Min.), 5000 Ohms (Max.)								
OUTPUT									
Output Impedance	1000 ± 500 Ohms								
Full Scale Output (FSO)	100 mV ± 10 mV								
Residual Unbalance	± 5mV (Typ.)								
Combined Non-Linearity, Hysteresis and Repeatability	± 0.1% FSO BFSL (Typ.), ± 0.5% FSO (Max.)								
Resolution	Infinitesimal								
Natural Frequency (KHz) (Typ.)	Greater Than 175 KHz								
Acceleration Sensitivity % FS/g	6.5x10 ⁻⁴	5.0x10 ⁻⁴	3.0x10 ⁻⁴	1.5x10 ⁻⁴	1.0x10 ⁻⁴	6.0x10 ⁻⁵	4.5x10 ⁻⁵	3.5x10 ⁻⁵	2.0x10 ⁻⁵
Perpendicular	1.0x10 ⁻⁴	6.0x10 ⁻⁵	4.0x10 ⁻⁵	2.0x10 ⁻⁵	9.0x10 ⁻⁶	6.0x10 ⁻⁶	3.0x10 ⁻⁶	2.7x10 ⁻⁶	2.0x10 ⁻⁶
Transverse									
Insulation Resistance	100 Megohm Min. @ 50 VDC								
ENVIRONMENTAL									
Operating Temperature Range	-65°F to +400°F (-55°C to +204°C)								
Compensated Temperature Range	-40°F to +350°F (-40°C to +175°C)								
Thermal Zero Shift	± 1% FS/100°F (Typ.)								
Thermal Sensitivity Shift	± 1% /100°F (Typ.)								
Linear Vibration	100g Peak, Sine Up to 5000 Hz								
Humidity	100% Relative Humidity								
Mechanical Shock	100g half Sine Wave 1 msec. Duration								
PHYSICAL									
Electrical Connection	4 Conductor 26 AWG Shielded Viton Cable 60" Long								
Weight	5 Grams (Nom.) Excluding Cable								
Pressure Sensing Principle	Fully Active Four Arm Wheatstone Bridge Dielectrically Isolated Silicon on Silicon Patented Leadless Technology								
Mounting Torque	15 Inch-Pounds								

Note: Custom pressure ranges, accuracies and mechanical configurations available. Dimensions are in inches. Dimensions in parenthesis are in millimeters.

Continuous development of our products may result in specification changes without notice. All dimensions are in inches unless otherwise noted.