



**SUPER HIGH TEMPERATURE
IS® PRESSURE TRANSDUCER**

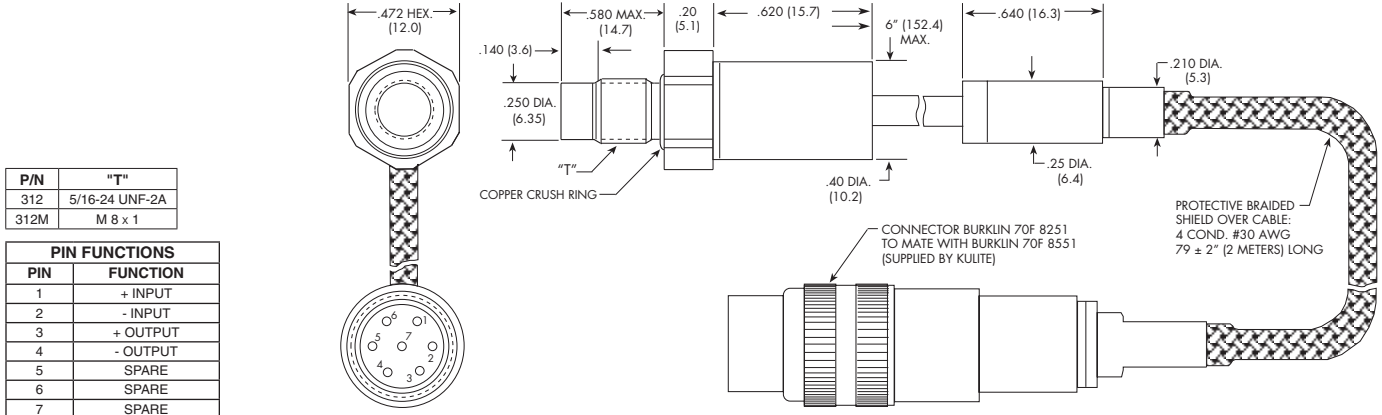
HKMER-HT-312 (M) SERIES

- -65°F To 750°F Temperature Capability
- High Natural Frequency
- Suitable For Downhole Exploration

The HKMER Series pressure transducers feature a very wide operating temperature range. These characteristics make these devices ideal for many applications in hostile environments that require the ruggedness of these devices. Typical applications are oil exploration and applications using superheated steam.



CONSULT FACTORY FOR SPECS. ON SEALED GAGE



P/N	"T"
312	5/16-24 UNF-2A
312M	M 8 x 1

PIN FUNCTIONS	
PIN	FUNCTION
1	+ INPUT
2	- INPUT
3	+ OUTPUT
4	- OUTPUT
5	SPARE
6	SPARE
7	SPARE

INPUT	35	100	350	700 BAR
Pressure Range	500	1500	5000	10000 PSI
Operational Mode	Absolute, Sealed Gage			
Over Pressure	2 Times Rated Pressure			
Burst Pressure	3 Times Rated Pressure			
Pressure Media	Any Liquid or Gas Compatible With 15-5 PH SS or Inconel 625			
Rated Electrical Excitation	10 VDC/AC (Other Excitations Available)			
Maximum Electrical Excitation	15 VDC/AC			
Input Impedance	1000 Ohms (Min.)			
OUTPUT				
Output Impedance	1000 Ohms (Nom.)			
Full Scale Output (FSO)	100 mV (Nom.)			
Residual Unbalance	± 5 mV (Typ.)			
Combined Non-Linearity, Hysteresis and Repeatability	± 0.2% FSO BFSL (Typ.)			
Resolution	Infinitesimal			
Natural Frequency (KHz) (Typ.)	235	470	710	945
Acceleration Sensitivity % FS/g Perpendicular	3.0x10 ⁻⁴	2.0x10 ⁻⁴	9.1x10 ⁻⁵	6.1x10 ⁻⁵
Transverse	1.9x10 ⁻⁵	1.4x10 ⁻⁵	9.0x10 ⁻⁶	5.9x10 ⁻⁶
Insulation Resistance	100 Megohm Min. @ 100 VDC			
ENVIRONMENTAL				
Operating Temperature Range	-65°F to +752°F (-55°C to +400°C) (Front End) -65°F to +257°F (-55°C to +125°C) (Connector)			
Compensated Temperature Range	+80°F to +752°F (+25°C to +400°C)			
Thermal Zero Shift	± 2.0% FS/100°F (Typ.)			
Thermal Sensitivity Shift	± 2.0% FS/100°F (Typ.)			
Steady Acceleration and Linear Vibration	1,000g. Sine			
PHYSICAL				
Electrical Connection	Burklin 70F 8251 Connector (Mating Connector Supplied)			
Weight	25 Grams (Nom.) Excluding Cable			
Pressure Sensing Principle	Fully Active Four Arm Wheatstone Bridge Dielectrically Isolated Silicon on Silicon			
Mounting Torque	177 Inch-Pounds (Max.) 20 N-m			

Note: Custom pressure ranges, accuracies and mechanical configurations available. Dimensions are in inches. Dimensions in parenthesis are in millimeters.

Note: Requires external compensation module (Max. temp. 450°F) Please refer to outline drawing.

Continuous development and refinement of our products may result in specification changes without notice - all dimensions nominal.