

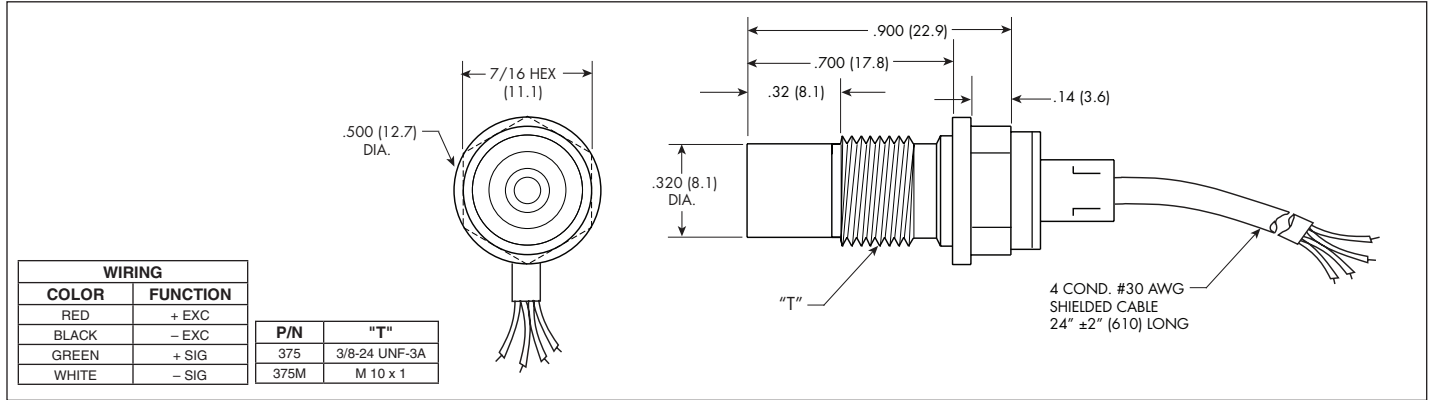
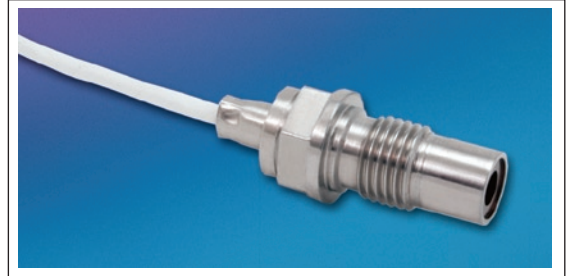


## HIGH PRESSURE RUGGEDIZED DYNAMIC RESPONSE IS<sup>®</sup> PRESSURE TRANSDUCER

### HKMER-1-375 (M) SERIES

- Low Impedance High Output
- Very High Natural Frequency
- Excellent Signal To Noise Ratio
- Designed For Pressure Blast Applications

Designed for high pressure, high shock environments, this range of transducers is widely used in both military and commercial applications.



<b>INPUT</b>		2100	3500	5000 BAR
Pressure Range		30000	50000	75000 PSI
Operational Mode		Sealed Gage		
Over Pressure		2450	3800	5000 BAR
		35000	55000	75000 PSI
Burst Pressure		2800	4200	5000 BAR
		40000	60000	75000 PSI
Pressure Media		Any Liquid or Gas Compatible With 15-5 PH SS or Inconel 625		
Rated Electrical Excitation		10 VDC/AC		
Maximum Electrical Excitation		15 VDC/AC		
Input Impedance		1000 Ohms (Nom.)		
<b>OUTPUT</b>				
Output Impedance		1000 Ohms (Nom.)		
Full Scale Output (FSO)		100mV (Nom.)		
Residual Unbalance		± 5 mV		
Combined Non-Linearity, Hysteresis and Repeatability		± 1.0% FSO BFSL (Typ.)		
Hysteresis		0.25% (Typ.)		
Repeatability		0.25% (Typ.)		
Resolution		Infinitesimal		
Natural Frequency (KHz) (Typ.)		1000	1400	1750
Acceleration Sensitivity % FS/g Perpendicular		4.0x10 <sup>-5</sup>	3.0x10 <sup>-5</sup>	2.5x10 <sup>-5</sup>
Transverse		1.3x10 <sup>-6</sup>	9.5x10 <sup>-7</sup>	8.0x10 <sup>-7</sup>
Insulation Resistance		100 Megohm Min. @ 100 VDC		
<b>ENVIRONMENTAL</b>				
Operating Temperature Range		-65°F to +300°F (-55°C to +150°C)		
Compensated Temperature Range		80°F to +180°F (25°C to +80°C) Any 100°F Range Within The Operating Range on Request		
Thermal Zero Shift		± 6% FS/100°F (Typ.)		
Thermal Sensitivity Shift		± 6% FS/100°F (Typ.)		
Steady Acceleration		10,000g. (Max.)		
Linear Vibration		10-2,000 Hz Sine, 100g. (Max.)		
<b>PHYSICAL</b>				
Electrical Connection		4 Conductor 30 AWG Shielded Cable 24" Long		
Weight		15 Grams (Nom.) Excluding Cable and Amplifier		
Pressure Sensing Principle		Fully Active Four Arm Wheatstone Bridge Dielectrically Isolated Silicon on Silicon		
Mounting Torque		80-120 Inch-Pounds (Max.)		

Note: Custom pressure ranges, accuracies and mechanical configurations available. Dimensions are in inches. Dimensions in parenthesis are in millimeters.

Continuous development and refinement of our products may result in specification changes without notice - all dimensions nominal. (A)