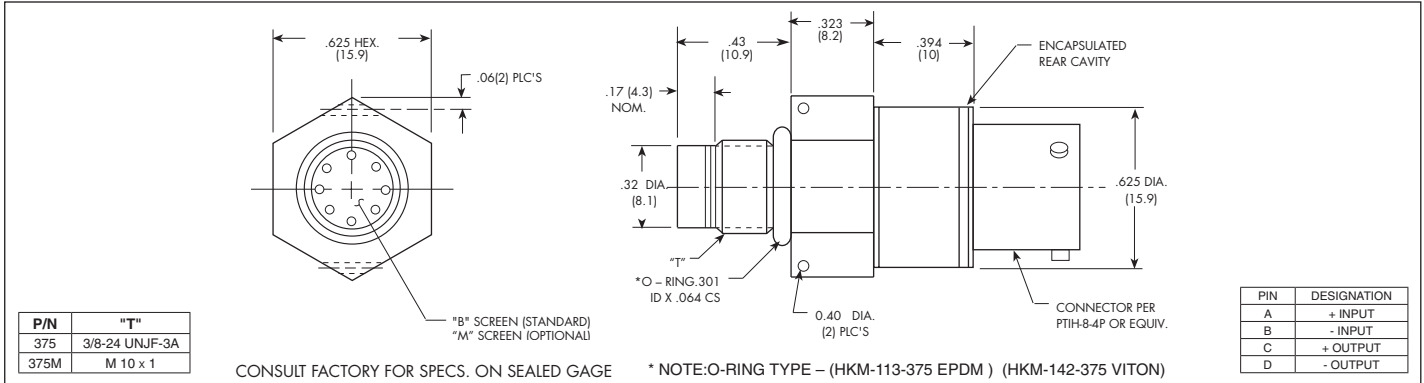




**METAL DIAPHRAGM
AUTOMOTIVE IS® PRESSURE TRANSDUCERS**

**HKM-113-375 (M) (Braking Systems)
HKM-142-375 (M) (MAP Systems)**

- Easy Installation
- High Natural Frequency
- Silicon on Silicon Integrated Sensor **VIS®**
- 3/8-24 UNJF 3A or M 10 x 1 Thread
- Wide Temperature Range
- Compatible With All Automotive Fluids
- Intrinsically Safe Applications Available (i.e. IS-HKM-113-375 or IS-HKM-142-375)



INPUT	HKM-113-375		HKM-142-375						
	3.5	7	17	35	70	210	350	700	1400 BAR
Pressure Range	50	100	250	500	1000	3000	5000	10000	20000 PSI
Operational Mode	Absolute, Sealed Gage								
Over Pressure	2 Times Rated Pressure to a Max. of 30000 PSI (2100 BAR)								
Burst Pressure	3 Times Rated Pressure to a Max. of 35000 PSI (2400 BAR)								
Pressure Media	Any Liquid or Gas Compatible With 15-5 PH or 316 SS								
Rated Electrical Excitation	10 VDC								
Maximum Electrical Excitation	15 VDC								
Input Impedance	1000 Ohms (Min.)								
OUTPUT									
Output Impedance	1000 Ohms (Nom.)								
Full Scale Output (FSO)	100 mV (Nom.)								
Residual Unbalance	± 5 mV (Typ.)								
Combined Non-Linearity, Hysteresis and Repeatability	± 0.1% FSO BFSL (Typ.), ± 0.5% FSO (Max.)								
Resolution	Infinitesimal								
Natural Frequency (KHz)	Greater Than 175 KHz								
Acceleration Sensitivity % FS/g	3.0x10 ⁻⁴	2.0x10 ⁻⁴	1.0x10 ⁻⁴	6.0x10 ⁻⁵	4.0x10 ⁻⁵	2.0x10 ⁻⁵	1.5x10 ⁻⁵	1.3x10 ⁻⁵	8.0x10 ⁻⁶
Perpendicular	3.0x10 ⁻⁵	2.0x10 ⁻⁵	1.0x10 ⁻⁵	6.0x10 ⁻⁶	4.0x10 ⁻⁶	2.0x10 ⁻⁶	1.5x10 ⁻⁶	1.3x10 ⁻⁶	1.0x10 ⁻⁶
Transverse									
Insulation Resistance	100 Megohm Min. @ 50 VDC								
ENVIRONMENTAL									
Operating Temperature Range	-65°F to +400°F (-55°C to +204°C)								
Compensated Temperature Range	-40°F to +350°F (-40°C to +175°C)		-40°F to +250°F (-40°C to +120°C)						
Thermal Zero Shift	± 1% FS/100°F (Typ.)								
Thermal Sensitivity Shift	± 1% /100°F (Typ.)								
Steady Acceleration and Linear Vibration	100g Peak, Sine up to 5000 Hz								
Humidity	100% Relative Humidity								
Mechanical Shock	100g half Sine Wave 11 msec. Duration								
PHYSICAL									
Electrical Connection	PTIH-8-4P Connector or Equivalent								
Weight	21 Grams Excluding Cable								
Pressure Sensing Principle	Fully Active Four Arm Wheatstone Bridge Dielectrically Isolated Silicon on Silicon								
Mounting Torque	80 Inch-Pounds								

Note: Custom pressure ranges, accuracies and mechanical configurations available. Dimensions are in inches. Dimensions in parenthesis are in millimeters. Continuous development and refinement of our products may result in specification changes without notice. All dimensions nominal. KULITE SEMICONDUCTOR PRODUCTS, INC. • One Willow Tree Road • Leonia, New Jersey 07603 • Tel: 201-461-0500 • Fax: 201-461-0530 • <http://www.kulite.com>