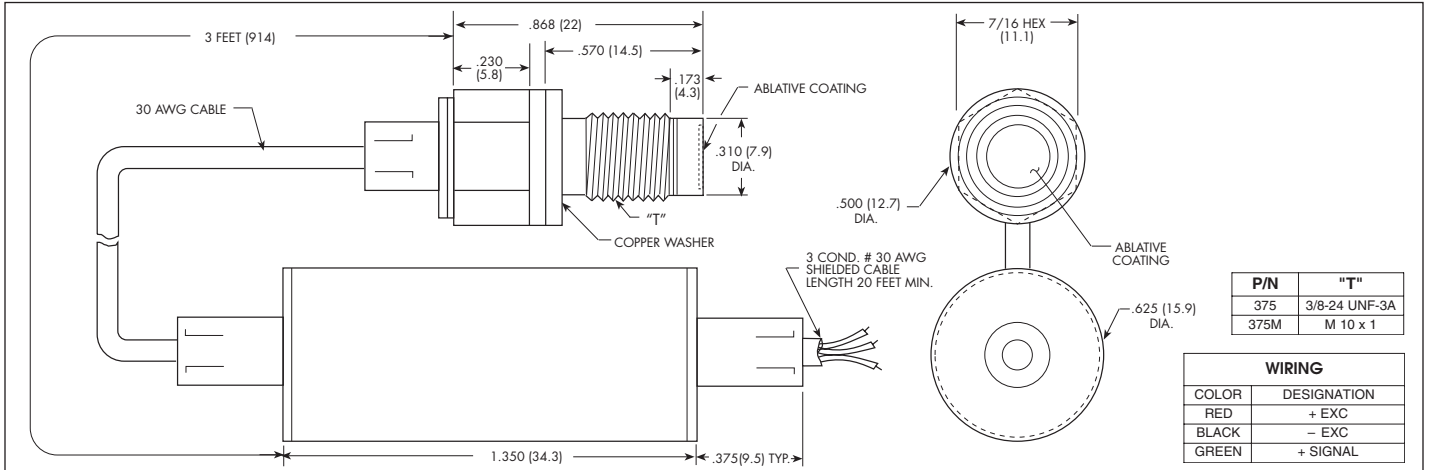




HIGH PRESSURE 5VDC OUTPUT RUGGEDIZED IS[®] PRESSURE TRANSDUCER
ETS-1A-375 (M) SERIES

- 5 VDC Output
- Hybrid Microelectronic Regulator-Amplifier
- Very High Natural Frequency
- Designed For Pressure Blast Applications
- Flat Response From DC to 150KHz

Designed for high pressure, high shock environments, this range of transducers is widely used in both military and commercial applications, now mated with an external in-line amplifier for a high level 5 Volt DC output



INPUT	70	140	350	700	1400	2100 BAR
Pressure Range	1000	2000	5000	10000	20000	30000 PSI
Operational Mode	Sealed Gage					
Over Pressure	100	210	510	1000	1700	2450 BAR
	1500	3000	7500	15000	25000	35000 PSI
Burst Pressure	210	420	840	1400	2100	2800 BAR
	3000	6000	12000	20000	30000	40000 PSI
Pressure Media	Any Liquid or Gas Compatible With 15-5 PH or 316 Stainless Steel					
Rated Electrical Excitation	12 ± 4 VDC or 28 ± 4 VDC					
Maximum Electrical Current	25 mA					
OUTPUT	200 Ohms (Max.)					
Output Impedance	5 VDC ± 150mV					
Full Scale Reading	DC Up to 150 KHz					
Bandwidth (-3dB)	200 mV ± 50 mV					
Residual Unbalance	± 0.1% FSO BFSL (Typ.) ± 0.5% FSO (Max.)					
Combined Non-Linearity, Hysteresis and Repeatability	Infinitesimal					
Resolution	720	900	1120	1350	1600	1800
Natural Frequency (KHz) (Typ.)	6.2x10 ⁻⁵	2.7x10 ⁻⁵	1.5x10 ⁻⁵	1.3x10 ⁻⁵	8.6x10 ⁻⁶	6.0x10 ⁻⁶
Acceleration Sensitivity % FS/g Perpendicular	4.3x10 ⁻⁶	2.4x10 ⁻⁶	1.5x10 ⁻⁶	1.3x10 ⁻⁶	1.0x10 ⁻⁶	8.0x10 ⁻⁷
Transverse	100 Megohm Min. @ 50 VDC					
Insulation Resistance	-65°F to +250°F (-55°C to +120°C)					
ENVIRONMENTAL	0°F to +212°F (-18°C to +100°C)					
Operating Temperature Range	± 1% FS/100°F (Typ.)					
Compensated Temperature Range	± 1% /100°F (Typ.)					
Thermal Zero Shift	100g Peak, Sine Up to 5000 Hz					
Thermal Sensitivity Shift	-150 ft. to +70,000 ft. Will Not Damage Sensor					
Linear Vibration	100% Relative Humidity					
Altitude	100g half Sine Wave 1 msec. Duration					
Humidity	3 Conductor 30 AWG Shielded Cable 24" Long					
Mechanical Shock	10 Grams (Nom.) Excluding Cable and Amplifier					
PHYSICAL	Fully Active Four Arm Wheatstone Bridge Dielectrically Isolated Silicon on Silicon					
Electrical Connection	80-120 Inch-Pounds (Max.)					
Weight	Ablative Coating Standard					
Pressure Sensing Principle						
Mounting Torque						
Diaphragm Coating						

Note: Custom pressure ranges, accuracies and mechanical configurations available. Dimensions are in inches. Dimensions in parenthesis are in millimeters. Continuous development of new instrumentation for military and commercial applications. Tel: 0755-83376489 FAX: 0755-83376182 E-MAIL: szss20@163.com
 KULITE SEMICONDUCTOR PRODUCTS, INC. • One Willow Tree Road • Leonia, New Jersey 07605 • Tel: 201 461-0900 • Fax: 201 461-0990 • <http://www.kulite.com>