

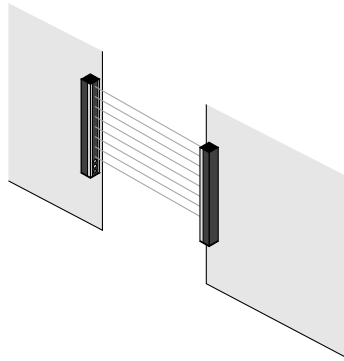
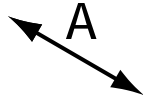
ACCESSORIES - DEFLECTION MIRRORS

MIRRORS

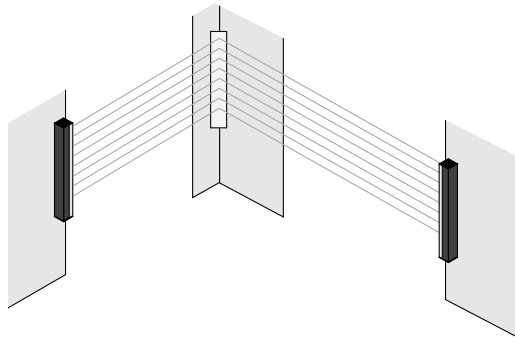
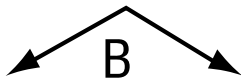
This section contains information about the Honeywell deflection mirrors which can be used with safety light curtains to perform the following perimeter protections:

Applications

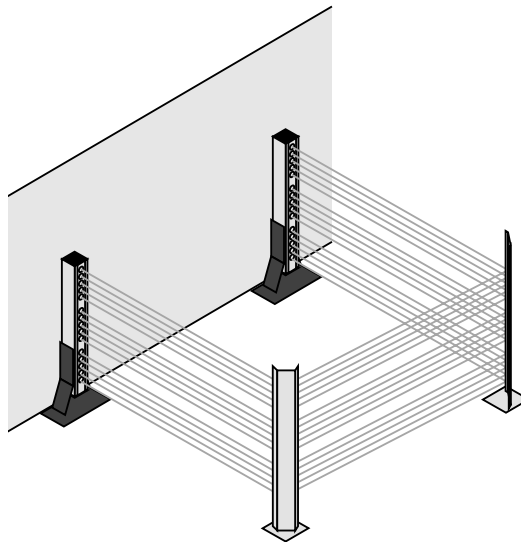
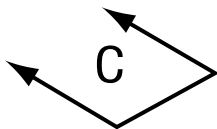
Without mirror



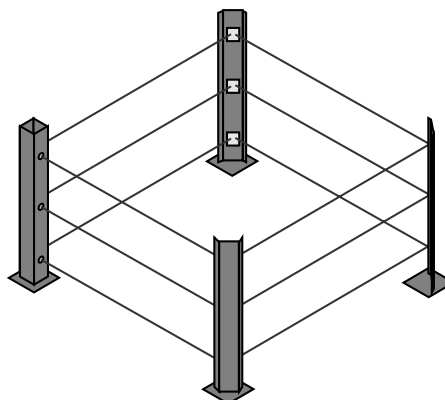
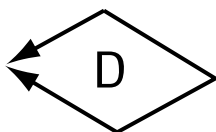
With 1 mirror



With 2 mirrors



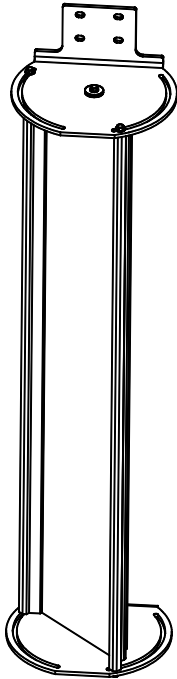
With 3 mirrors



WALL MOUNTING DEFLECTION MIRRORS - 1

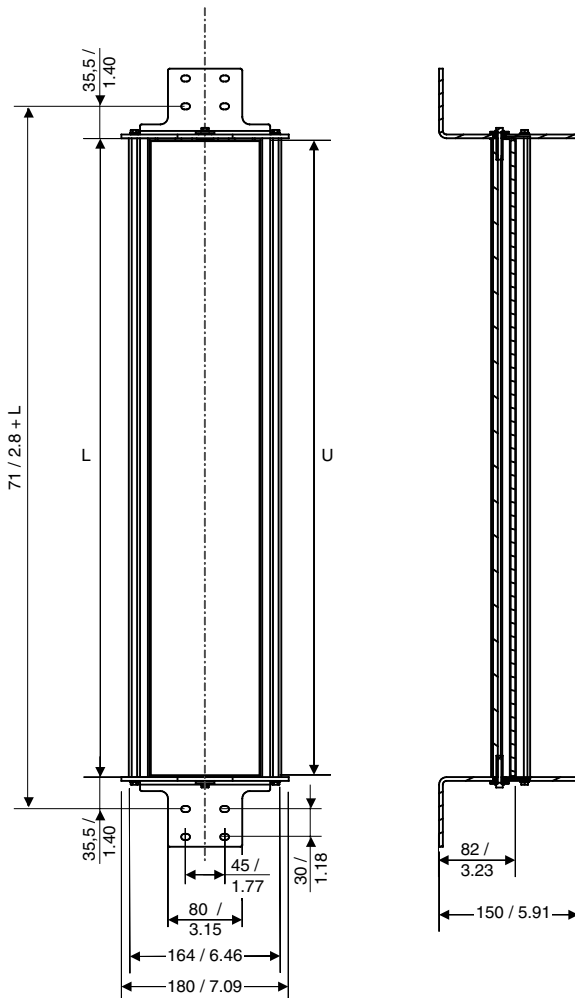
MIRRORS

- Wall mounting deflection mirrors for FF-SB, FF-SY, FF-LS, FF-SG, FF-SLG, FF-SLC, Detector™3 :

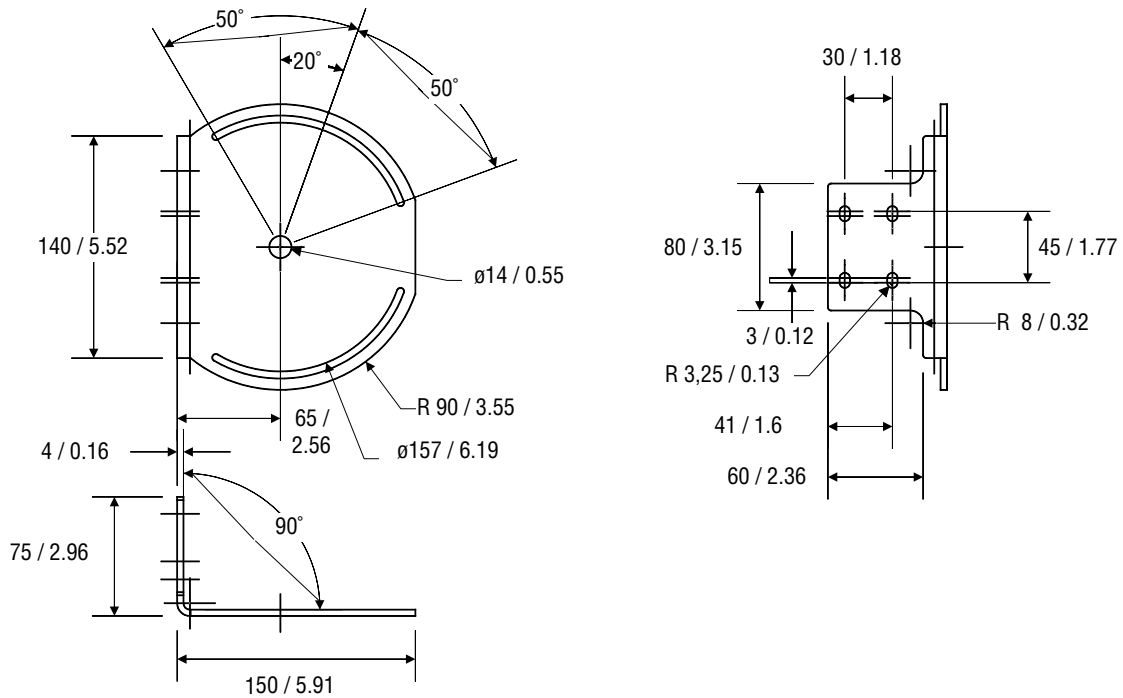


- Deflection mirrors (for arms and body detection).
- Design for perimetric protections with small resolution.
- Material: Aluminium alloy housing
 25% scanning range reduction: silver reflecting material laid on the back of an ordinary glass protected by a vernish.
 10% scanning range reduction: copper reflecting material laid on the back of a white glass protected by a vernish.
- Finish: anodized gold colour.
- Provided with 2 adjustable brackets for easy adjustment.

Dimensions mirror profile (mm/in)



Dimensions of the right-angle mounting brackets (mm/in)



MIRRORS

Dimensions, weights and part numbers

Mirror type	Scanning range loss per mirror	Total height (mm/in) L	Reflecting surface (mm/in) U	Weight (kg/lbs)
FF-SYZMIR002 FF-SYZMIR102	10% 25%	282 / 11.1	272 / 10.7	4,4 / 9.70
FF-SYZMIR004 FF-SYZMIR104	10% 25%	485 / 19.11	475 / 17.7	6 / 13.23
FF-SYZMIR006 FF-SYZMIR106	10% 25%	688 / 27.11	678 / 26.7	7,5 / 16.53
FF-SYZMIR008 FF-SYZMIR108	10% 25%	893 / 35.18	883 / 34.8	8,9 / 19.62
FF-SYZMIR010 FF-SYZMIR110	10% 25%	1096 / 43.18	1086 / 42.8	10,5 / 23.15
FF-SYZMIR012 FF-SYZMIR112	10% 25%	1299 / 51.18	1289 / 50.8	13,6 / 29.98
FF-SYZMIR014 FF-SYZMIR114	10% 25%	1504 / 59.26	1494 / 58.9	15,2 / 33.51
FF-SYZMIR016 FF-SYZMIR116	10% 25%	1707 / 67.26	1697 / 66.9	17,1 / 37.70
FF-SYZMIR018 FF-SYZMIR118	10% 25%	1910 / 67.26	1900 / 74.9	18,8 / 41.45

Compatibility

Mirror type	Safety light curtain					
	FF-SB Series	FF-SY Series	FF-SG Series FF-SLG Series	FF-LS Series	FF-SLC Series	Detector 3™ Series
FF-SYZMIR□02	FF-SB12E/R02-S2			FF-LS082802362 FF-LS16141962	FF-SLC35022	3LCE06
FF-SYZMIR□04	FF-SB□□E/R04-S2□	FF-SY□□□032□2	FF-SG□□031□□2 FF-SLG□□031□□2	FF-LS32143782	FF-SLC□□042	3LCE12
FF-SYZMIR□06	FF-SB□□E/R06-S2□	FF-SY□□□048□2	FF-SG□□050□□2 FF-SLG□□050□□2	FF-LS162804602 FF-LS48145612	FF-SLC□□062	3LCE18
FF-SYZMIR□08	FF-SB□□E/R08-S2□	FF-SY□□□064□2 FF-SY□□□080□2	FF-SG□□070□□2 FF-SLG□□070□□2	FF-LS242806842 FF-LS64147442	FF-SLC□□072 FF-SLC55082	3LCE24 3LCE30
FF-SYZMIR□10	FF-SB□□E/R10-S2□	FF-SY□□□096□2	FF-SG□□089□□2 FF-SLG□□089□□2	FF-LS322809082	FF-SLC□□092	3LCE36
FF-SYZMIR□12	FF-SB□□E/R12-S2□	FF-SY□□□112□2	FF-SG□□109□□2 FF-SLG□□109□□2	FF-LS402811322	FF-SLC□□112 FF-SLC35132 FF-SLC18132	3LCE42
FF-SYZMIR□14	FF-SB□□E/R14-S2□	FF-SY□□□128□2 FF-SY□□□144□2	FF-SG□□128□□2 FF-SLG□□128□□2 FF-SG□□147□□2 FF-SLG□□147□□2	FF-LS482813562	FF-SLC□□142 FF-SLC55132 FF-SLC55152	3LCE48
FF-SYZMIR□16		FF-SY□□□160□2		FF-LS562815802	FF-SLC35162 FF-SLC55162	3LCE60
FF-SYZMIR□18		FF-SY□□□176□2				3LCE72

Scanning distance (in m / ft) using FF-SYZMIR1□□ (10 % loss per mirror)

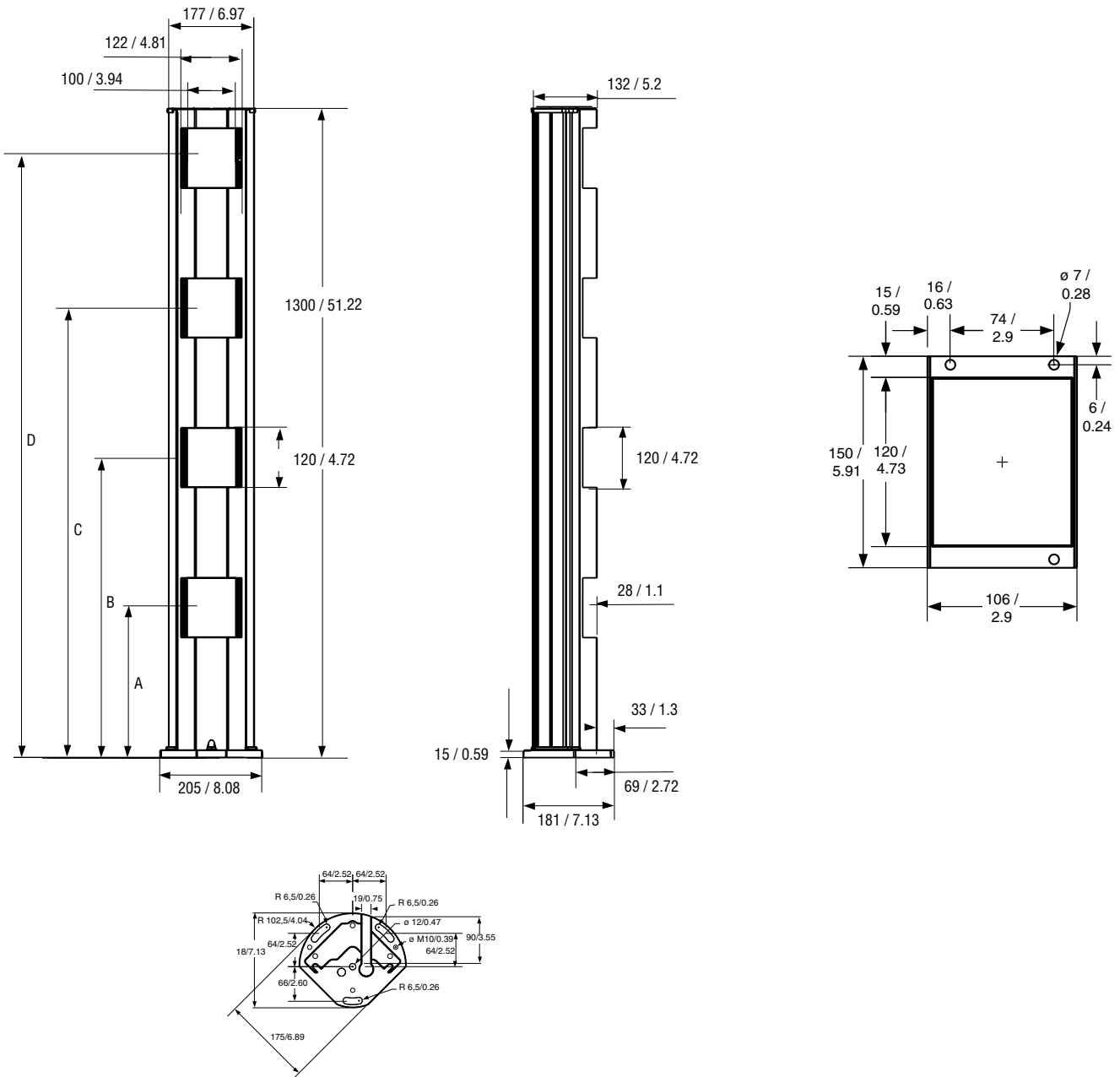
Safety light curtain	Max. range without mirror (A)	Max. range with 1 mirror (B)	Max. range with 2 mirrors (C)	Max. range with 3 mirrors (D)
FF-SY□14 FF-SB14 filtered	6 / 19.7	5,4 / 17.7	4,9 / 16	4,4 / 14.4
other FF-SY□□□	20 / 65.6	18 / 59	16,2 / 53.1	14,6 / 47.8
FF-SG18, FF-SG30, FF-LS14, FF-LS30	3,5 / 11.5	3,2 / 10.5	2,8 / 9.2	2,6 / 8.5
FF-SLG18, FF-SLG30	4 / 13.12	3,6 / 11.8	3,2 / 10.5	2,9 / 9.51
FF-SB12, FF-SB14 standard	10 / 32.8	9 / 29.5	8,1 / 26.6	7,3 / 23.9
FF-SB14 long range, FF-SB15	24 / 78.8	21.6 / 70.9	19,4 / 63.8	17,5 / 57.4
FF-SLC35, FF-SLC55, FF-SLC18	12 / 39.4	10,8 / 35.5	9,7 / 31.9	8,7 / 28.7
Detector™ 3 standard range	7,6 / 25	6,8 / 18.7	6,2 / 20.3	5,5 / 18
Detector™ 3 long range	15,3 / 50	13,8 / 45.3	12,4 / 40.7	11,2 / 36.7

Scanning distance (in m / ft) using FF-SYZMIR1□□ (25 % loss per mirror)

Safety light curtain	Max. range without mirror (A)	Max. range with 1 mirror (B)	Max. range with 2 mirrors (C)	Max. range with 3 mirrors (D)
FF-SY□14 FF-SB14 filtered	6 / 19.7	4,5 / 14.8	3,4 / 11.1	2,5 / 8.3
Other FF-SY□□□	20 / 65.6	15 / 49.2	11,3 / 36.9	8,4 / 27.7
FF-SG18, FF-SG30, FF-LS14, FF-LS30	3,5 / 11.5	2,6 / 8.6	2 / 6.5	1,5 / 4.8
FF-SLG18, FF-SLG30	4 / 13.12	3 / 9.8	2,3 / 7.6	1,7 / 5.6
FF-SB12, FF-SB14 standard	10 / 32.8	7,5 / 24.6	5,6 / 18.5	4,2 / 13.8
FF-SB14 long range, FF-SB15	24 / 78.8	18 / 59.1	13,5 / 44.3	10,1 / 33.2
FF-SLC35, FF-SLC55, FF-SLC18	12 / 39.4	9 / 29.5	6,8 / 22.1	5,1 / 16.6
Detector™ 3 standard range	7,6 / 25	5,7 / 18.7	4,3 / 14.1	3,2 / 10.5
Detector™ 3 long range	15,3 / 50	11,5 / 37.7	8,6 / 28.2	6,5 / 21.3

□ FF-SYZPF posts with individual mirrors

MIRRORS



Beam heights, weights and part numbers

Part listings	Scanning range loss per mirror	Beam heights above the reference plane per EN 999		Weight (kg/lbs)
		mm (A / B / C / D)	in (A / B / C / D)	
FF-SYZPF□12 FF-SYZPF12	10% 25%	400 / 900	15.76 / 35.46	9,7 / 21.4
FF-SYZPF□13 FF-SYZPF13	10% 25%	300 / 700 / 1100	11.82 / 27.58 / 43.34	10 / 22.1
FF-SYZPF□14 FF-SYZPF14	10% 25%	300 / 600 / 900 / 1200	11.82 / 23.64 / 35.46 / 47.28	10,2 / 22.5
FF-SYZPFM01 FF-SYZPFM11	10% 25%	Lower beam: 106 Upper beam: 1168	Lower beam: 40.2 Upper beam: 46	11,1 / 24.4

Compatibility**MIRRORS**

	FF-SB Series	FF-SY□ Series	FF-SG Series FF-SLG Series	FF-LS Series
FF-SYZPFM01 FF-SYZPFM11	FF-SB12E/R02 to 06 FF-SB14E/R04 to 10 FF-SB15E/R06 to 10	FF-SY□14032 to 096 FF-SY□30032 to 096 FF-SY□60032 to 096 FF-SY□02 to 04	FF-SG18031 to 070 FF-SG30031 to 109 FF-SLG18031 to 070 FF-SLG30031 to 109 FF-SLG02 to 04	FF-LS1614 to FF-LS6414 FF-LS0828 to FF-LS0832
FF-SYZPF02 FF-SYZPF12	Not applicable	FF-SY□02	FF-SLG02	Not applicable
FF-SYZPF03 FF-SYZPF13	Not applicable	FF-SY□03	FF-SLG03	Not applicable
FF-SYZPF04 FF-SYZPF14	Not applicable	FF-SY□04	FF-SLG02 to 04	Not applicable

	FF-SLC Series	Detector 3™ Series	FF-SCAN Series	FF-SPS4 Series
FF-SYZPFM01 FF-SYZPFM11	FF-SLC3502 to FF-SLC3511 FF-SLC5504 to FF-SLC5509 FF-SLC1804 to FF-SLC1811	3LCE06 to 3LCE42	FF-SCAN2 to FF-SCAN8	FF-SPS4 (x2 to x4)
FF-SYZPF02 FF-SYZPF12	Not applicable	Not applicable	FF-SCAN2	FF-SPS4 (x2)
FF-SYZPF03 FF-SYZPF13	Not applicable	Not applicable	FF-SCAN3	FF-SPS4 (x3)
FF-SYZPF04 FF-SYZPF14	Not applicable	Not applicable	FF-SCAN4	FF-SPS4 (x4)

Scanning distance (in m/ft) using FF-SYZMIR0□□ (10% loss per mirror)

Safety light curtain	Max. range without mirror (A)	Max. range with 1 mirror (B)	Max. range with 2 mirrors (C)	Max. range with 3 mirrors (D)
FF-SY□14 FF-SB14 filtered	6 / 19.7	5,4 / 17.7	4,9 / 16	4,4 / 14.4
Other FF-SY□□□	20 / 65.6	18 / 59	16,2 / 53.1	14,6 / 47.8
FF-SG18, FF-SG30, FF-LS14, FF-LS30	3,5 / 11.5	3,2 / 10.5	2,8 / 9.2	2,6 / 8.5
FF-SLG18, FF-SLG30	4 / 13.12	3,6 / 11.8	3,2 / 10.5	2,9 / 9.51
FF-SB12, FF-SB14 standard	10 / 32.8	9 / 29.5	8,1 / 26.6	7,3 / 23.9
FF-SB14 long range FF-SB15	24 / 78.8	21,6 / 70.9	19,4 / 63.8	17,5 / 57.4
FF-SLC35, FF-SLC55 FF-SLC18	12 / 39.4	10,8 / 35.5	9,7 / 31.9	8,7 / 28.7
Detector 3™ standard range	7,6 / 25	6,8 / 22.3	6,2 / 20.3	5,5 / 18
Detector 3™ long range	15,3 / 50	13,8 / 45.3	12,4 / 40.7	11,2 / 36.7
FF-SCAN	25 / 82.1	22,5 / 73.9	20,3 / 66.5	18,2 / 59.8
FF-SCAN long range	33 / 108,3	29,7 / 97.5	26,7 / 87.7	24,1 / 79
FF-SPS4	40 / 131.3	36 / 118.2	32,4 / 106.3	29,2 / 95.7
FF-SPS4 long range	75 / 246,1	67,5 / 221.5	60,8 / 199.4	54,7 / 179.4

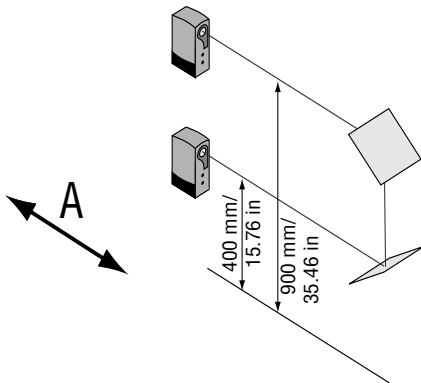
MIRRORS**Scanning distance (in m/ft) using FF-SYZMIR0□□ (25% loss per mirror)**

Safety light curtain	Max. range without mirror (A)	Max. range with 1 mirror (B)	Max. range with 2 mirrors (C)	Max. range with 3 mirrors (D)
FF-SY□14 FF-SB14 filtered	6 / 19.7	4,5 / 14.8	3,4 / 11.1	2,5 / 8.3
Other FF-SY□□□	20 / 65.6	15 / 49.2	11,3 / 36.9	8,4 / 27.7
FF-SG18, FF-SG30, FF-LS14, FF-LS30	3,5 / 11.5	2,6 / 8.6	2 / 6.5	1,5 / 4.8
FF-SLG18, FF-SLG30	4 / 13.12	3 / 9.8	2,3 / 7.6	1,7 / 5.6
FF-SB12, FF-SB14 standard	10 / 32.8	7,5 / 24.6	5,6 / 18.5	4,2 / 13.8
FF-SB14 long range FF-SB15	24 / 78.8	18 / 59.1	13,5 / 44.3	10,1 / 33.2
FF-SLC35, FF-SLC55 FF-SLC18	12 / 39.4	9 / 29.5	6,8 / 22.1	5,1 / 16.6
Detector 3™ standard range	7,6 / 25	5,7 / 18.7	4,3 / 14.1	3,2 / 10.5
Detector 3™ long range	15,3 / 50	11,5 / 37.7	8,6 / 28.2	6,5 / 21.3
FF-SCAN	25 / 82.1	18,8 / 61.6	14,1 / 46.2	10,5 / 34.7
FF-SCAN long range	33 / 108,3	24,8 / 81.3	18,6 / 61	13,9 / 45.7
FF-SPS4	40 / 131.3	30 / 98.5	22,5 / 73.9	16,9 / 55.4
FF-SPS4 long range	75 / 246,1	56,3 / 184.6	42,2 / 138.5	31,6 / 103.9

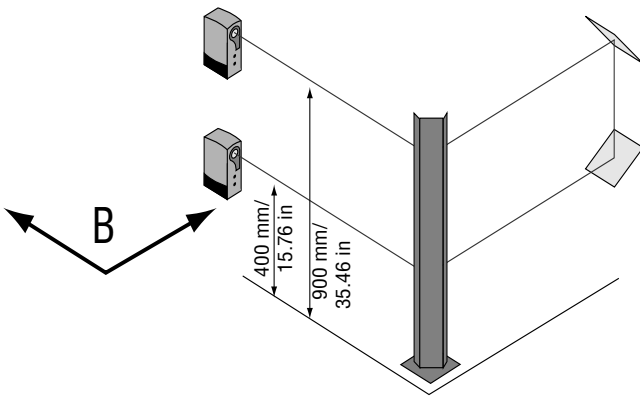
MIRRORS

Applications

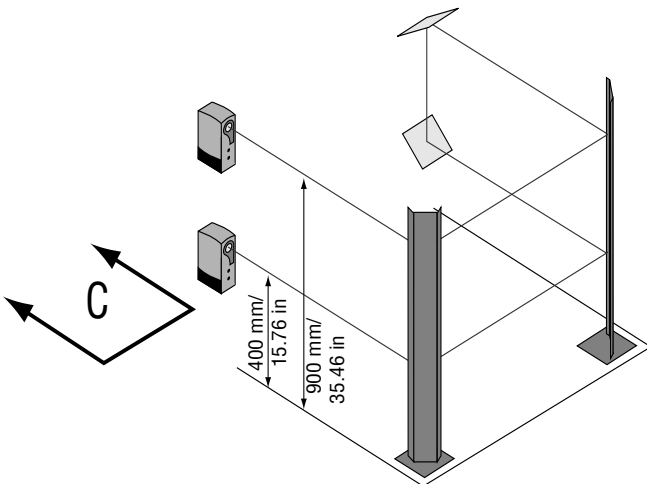
With 2 individual mirrors



With 1 floor mounting mirror and 2 individual mirrors



With 2 floor mounting mirrors and 2 individual mirrors



**Perimeter A
Mirrors**

FF-SPZ01MIR or FF-MSK2	FF-SPS44□□□	FF-SPS47□□□
	16 / 52.3	30,1 / 98.8
	FF-SCAN□18	FF-SCAN□18□L
	9,9 / 32.4	13,1 / 43
FF-SPZ11MIR	FF-SPS44□□□	FF-SPS47□□□
	11 / 36.1	20,8 / 68.3
	FF-SCAN□18	FF-SCAN□18□L
	6,8 / 22.2	9 / 29.6

Dimensions in m / ft

Also refer to the access control systems
FF-SPZ12MIR post.

**Perimeter B
Mirrors**

FF-SPZ01MIR or FF-MSK2 (x2) and FF-SCZ02MIR (x1)	FF-SPS44□□□	FF-SPS47□□□
	12,9 / 42.2	24,4 / 79.8
	FF-SCAN□18	FF-SCAN□18□L
	8 / 26.1	10,6 / 34.7
FF-SPZ11MIR (x2) and FF-SCZ02MIR (x1)	FF-SPS44□□□	FF-SPS47□□□
	8,9 / 29.1	16,8 / 55.2
	FF-SCAN□18	FF-SCAN□18□L
	5,4 / 17.9	7,3 / 23.8

Dimensions in m / ft

Also refer to the access control systems
FF-SPZ12MIR post.

**Perimeter C
Mirrors**

FF-SPZ01MIR or FF-MSK2 (x2) and FF-SCZ02MIR (x2)	FF-SPS44□□□	FF-SPS47□□□
	10,4 / 34	19,7 / 64.5
	FF-SCAN□18	FF-SCAN□18□L
	6,4 / 21	8,5 / 27.9
FF-SPZ11MIR (x2) and FF-SCZ02MIR (x2)	FF-SPS44□□□	FF-SPS47□□□
	7,1 / 23.4	13,6 / 44.6
	FF-SCAN□18	FF-SCAN□18□L
	4,4 / 14.3	5,8 / 19.1

Dimensions in m / ft

Also refer to the access control systems
FF-SPZ12MIR post.

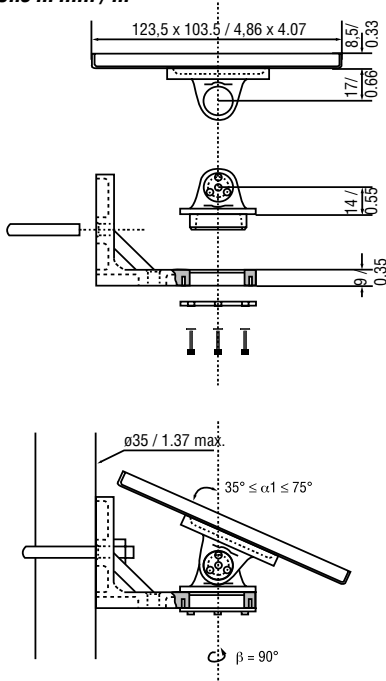
Note: The use of deflection mirrors is not recommended with
the lens heating model FF-SPS42□□□.

INDIVIDUAL MIRRORS

MIRRORS

Individual and adjustable mirrors FF-SPZ□□MIR for FF-SCAN and FF-SPS4

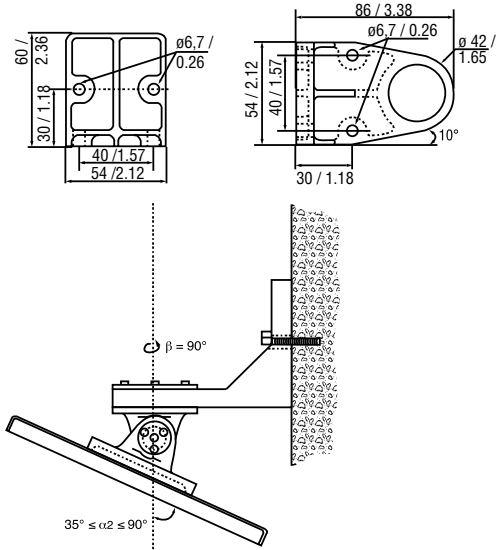
Dimensions in mm / in



Note: $-35^\circ \leq \alpha_1 \leq 35^\circ$ if $\beta = 0^\circ$ or 180°

The adjustable mirror is mounted on a pivoting base which can be fixed on a wall or on a $\phi 35$ mm/1.37 in. tube with a clamping ring.

Each mirror is delivered with a target drawn on an adhesive paper (the electrostatic process guarantees the cleanliness of the mirror). This target eases quick infrared beam alignment.



Note: $-45^\circ \leq \alpha_2 \leq 45^\circ$ if $\beta = 0^\circ$ or 180°

Mirror listings	Scanning range attenuations	Material
FF-SPZ01MIR	10 % per mirror	Aluminium alloy housing
FF-SPZ11MIR	25 % per mirror	Aluminium alloy housing

