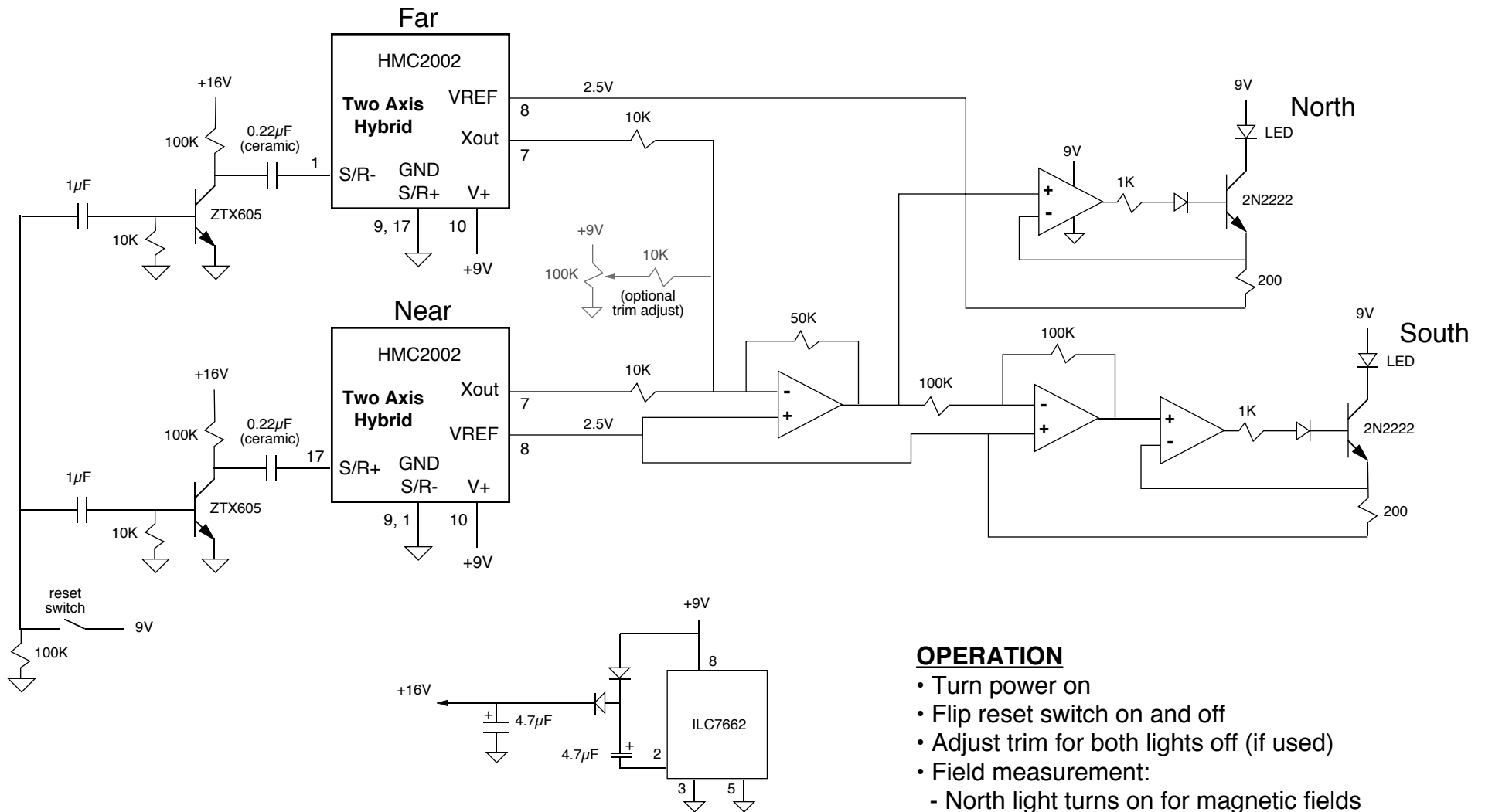


MAGNETIC GRADIOMETER CIRCUIT

AN-204



OPERATION

- Turn power on
- Flip reset switch on and off
- Adjust trim for both lights off (if used)
- Field measurement:
 - North light turns on for magnetic fields greater at the near sensor
 - South light turns on for magnetic fields smaller at the near sensor