

Interactive Catalog Replaces Catalog Pages

Honeywell Sensing and Control has replaced the PDF product catalog with the new **Interactive Catalog**. The **Interactive Catalog** is a power search tool that makes it easier to find product information. It includes more installation, application, and technical information than ever before.



**Click this icon to try the new
Interactive Catalog.**

Sensing and Control

Honeywell Inc.

11 West Spring Street
Freeport, Illinois 61032



SUNSTAR自动化 <http://www.sensor-ic.com/> TEL: 0755-83376489 FAX:0755-83376182 E-MAIL:szss20@163.com

ZS-00351-01

ONE PART M18 PROXIMITY SENSOR (INCORPORATING BUILT IN TEST)

Description :

Environment-proof self-contained proximity sensor enclosed in a rugged hermetically sealed ceramic/stainless steel housing, designed to meet the requirements of ground mobile and naval applications.

Operation by the Eddy Current Killed Oscillator (ECKO) principle, which is used to detect metallic objects passing in front of the sensing face. Once a target metal is detected, a trigger signal is produced which is then passed through the output conditioning circuitry to give a high or low output, depending on the sensor application.



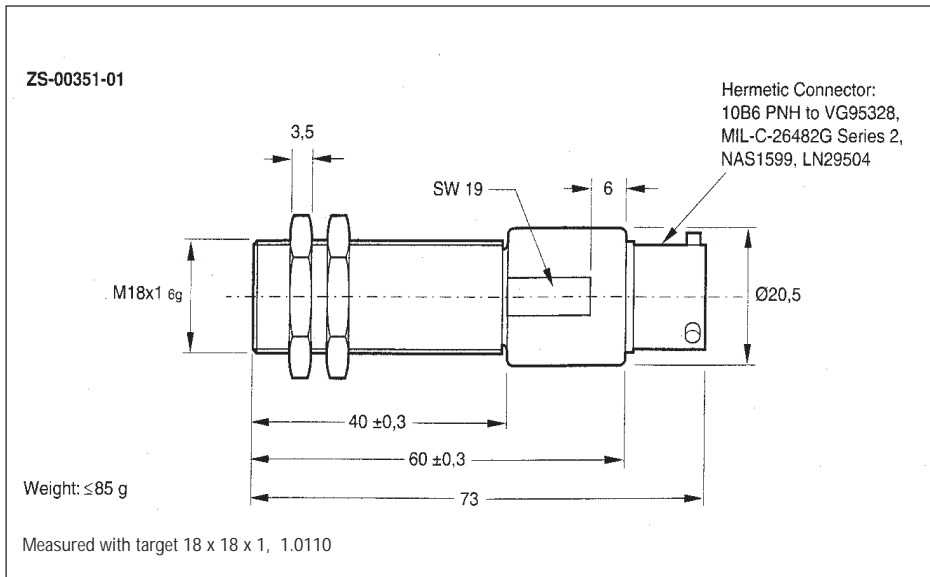
Features :

- All metal sensing
- Integral VG95328 (MIL-C-26482) connector
- Built In Test function (BITE)
- High level of electronics protection

Typical Applications :

- Ammunition loading systems
- Gun turret position control
- Door and hatch open/closed monitoring

Dimensions in mm (for reference only)



Ordering Guide	Description
ZS-00351-01	Normally open, current sinking

Specifications

Sensing Characteristics :		Level	Specification (Note 1)
Switching function		Normally open, current sinking	
Minimum actuation distance		4.16 mm	
Maximum release distance		7.27 mm	
Switching hysteresis		$0.04 \leq S_h \leq 1.50$ mm	
Reproduceability		≤ 0.073 mm	
Response time/actuation/BITE		$\leq 2/10$ ms	
Power on delay		≤ 100 ms	
Electrical Specifications :			
Operating voltage		12 to 32 V	
Ripple		≤ 8.4 V _{ss} at 30 Hz - 10 kHz	VG86916, 75, 4.4.2
Impact potential/voltage peaks		70 Vs at 2 ms, 50 Vs at 50 ms	VG86916, 75, 4.4.2
Current consumption without load		≤ 15 mA	
Output-			
Voltage drop		≤ 2.0 V at 80 mA	
Current carrying capacity (oHmic)		≤ 80 mA	
Residual current		≤ 100 μ A	
Short circuit protection		Yes	
Reverse polarity protection		Yes	
Input Characteristics :			
BITE on input voltage		3.5 V \leq V _{on} \leq 6.0	
BITE off input voltage		V _{off} \leq 0.8 V	
Insertion loss		≤ 8 kOhm	
Environmental Conditions :			
Operating temperature		-35° to +63° C	
Storage temperature		-35° to +63° C	VG95332, B1, 22/23
Temperature shock		$> 1^\circ$ C/min	
Humidity, storage		95% at +40° C, 4x24 hours	VG95332, B1.6
Humidity, operation		95% at +44° C, 1x24 hours	VG95332, B1.5
Salt mist		1 cycle, 48 hours	VG95332, B1.14
Degree of protection		IP54	
Vibration		1.5 g _{eff} 60-400 Hz 1.0 g _{eff} 400 - 2000 Hz	
Bump		60 x 10 g at 6 ms	VG95332, B1.11
Shock		18 x 500 g at 0.5 ms	VG95332, B1.16
Resistance to fuel		Aircraft fuel, oil, grease, protective agents	AWE II 10.02.92
EMC :			
Insulation resistance		≥ 10 mOhm at 500 V	
Contact resistance		≤ 5 mOhm at 100 mA	
Guided interference transmissions		GKL2, 10 kHz - 100 MHz	VG95373, LA-01-G
Guided interference voltage		GKL2, 30 Hz - 100 MHz	VG95373, LA-02-G
Guided interference voltage		≤ 60 Vs at 2 ms, ≤ 2.5 V _{ss} at 0.03-10 kHz	VG95373, LA-03-G
Magnetic flux density		GKL2, 30 Hz - 200 kHz	VG95373, SA-01-G
Magnetic field intensity		GKL2, 15 kHz - 30 MHz	VG95373, SA-02-G
Electromagnetic field intensity		GKL2, 30 MHz - 100 MHz	VG95373, SA-04-G
Immunity from noise, supply wiring		GKL4, 30 Hz - 10 kHz	VG95373, LF-01-G
Impulse stability, supply wiring		GKL4	VG95373, LF-04-G
Guided immunity		≤ 114 dB μ A, 10 kHz - 100 MHz	DEF-STAN 59-41, DCS, 02
Electrostatic discharge		GKL2	VG95373, LF-05-G
Magnetic immunity		GKL2, 10 kHz - 200 kHz	VG95373, SF-01-G
Electromagnetic immunity		GKL2, 30 MHz - 100 MHz	VG95373, SF-03-G
Mean Time Between Failure prediction		0.106 hrs x 10 ⁶ at GM	MIL-HDBK-217 F
Notes :			
1. Unless otherwise stated, tested to or by similarity to Honeywell internal specifications			