

## Interactive Catalog Replaces Catalog Pages

Honeywell Sensing and Control has replaced the PDF product catalog with the new **Interactive Catalog**. The **Interactive Catalog** is a power search tool that makes it easier to find product information. It includes more installation, application, and technical information than ever before.



**Click this icon to try the new  
Interactive Catalog.**

---

**Sensing and Control**

Honeywell Inc.

11 West Spring Street  
Freeport, Illinois 61032



SUNSTAR自动化 <http://www.sensor-ic.com/> TEL: 0755-83376489 FAX:0755-83376182 E-MAIL:szss20@163.com

# ZS-00369 SERIES

## ONE PART RECTANGULAR PROXIMITY SENSOR

### Description :

Environment-proof self-contained proximity sensor enclosed in a rugged hermetically sealed ceramic/stainless steel housing, designed to meet the requirements of ground mobile and naval applications.

Operation by the Eddy Current Killed Oscillator (ECKO) principle, which is used to detect metallic objects passing in front of the sensing face. Once a target metal is detected, a trigger signal is produced which is then passed through the output conditioning circuitry to give a high or low output, depending on the sensor application.

### Features :

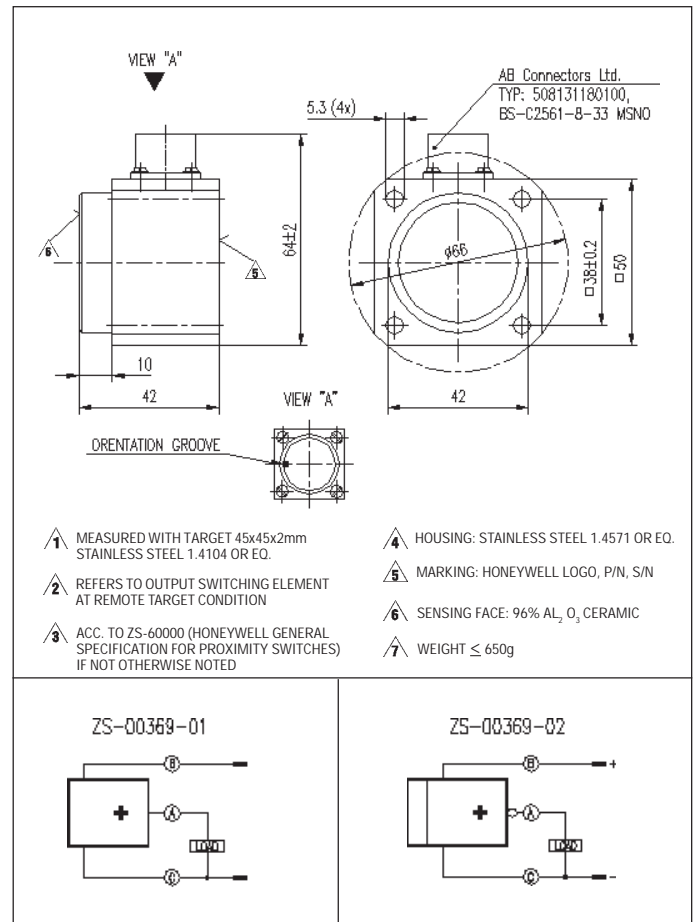
- All metal sensing
- Rugged stainless steel housing with integral connector
- High level EMC performance
- Mean Time Between Failure 500K hours

### Typical Applications :

- Ship gun controls
- Door and hatch open/closed monitoring
- Aircraft carrier landing platforms



Dimensions in mm (for reference only)



# Specifications

Sensing Characteristics :		
Function	Level	Specification (Note 1)
	ZS-00369-01: normally open, current sinking ZS-00369-02: normally closed, current sourcing	Note 2
Guaranteed actuation distance	≥ 14.00 mm	
Guaranteed deactuation distance	≤ 18.30 mm	
Reproduceability	≤ 1 %	
Repetition rate of sensing	≤ 500 Hz	
Power on delay	≤ 10 ms	
Electrical Specifications :		
Power Supply -		
Supply voltage	14 to 33 V	
Ripple voltage	≤ 7 V	MIL-STD-1275A
Surge voltage	100 V in 50 ms	MIL-STD-1275A
Voltage spikes	250 V at 50 μs	MIL-STD-1275A
Current consumption	≤ 10 mA	
Insulation resistance	≥ 100 MOhm at 500 Vdc	
Earth continuity	≤ 20 mOhm at 100 mA	
Output -		
Output	Open emitter current source	
On state output voltage	≤ 2.75 V	
Load current	≤ 200 mA	
Off state leakage current	≤ 100 μA	
Reverse polarity protection	Yes	
Short circuit protection	Yes	
Environmental Specifications :		
Operating temperature range	+15° to +45° C	NES 1004, DSB-15
Storage temperature	-40° to +70° C	DEF STAN 07-55
Water tightness	Pressure proof, severity B	DEF STAN 07-55, 05
Acid corrosion	Resistant	NES 501/NES 1005
Mould growth	Resistant	NES 501
Fluid contamination	Resistant	NES 501/NES 1005
Air pressure	80 mBar above STD ATM	
Vibration	0.125 mm, 5 to 33 Hz	DEF STAN 07-55, A1
Shock	365 ms <sup>-2</sup>	NES 1004, DS28
Electromagnetic compatibility	DCE01 DCE02 DRE01 DRE02 DCS01 DCS02 DCS03 DCS05 (Switching transients) DRS01 DRS02	DEF STAN 59-41 DEF STAN 59-41 DEF STAN 59-41 DEF STAN 59-41 DEF STAN 59-41 DEF STAN 59-41 DEF STAN 59-41 DEF STAN 59-41 DEF STAN 59-41 DEF STAN 59-41
Mean Time Between Failure prediction	500000 hrs at +35° C Ns application	MIL-HDBK 217E
<b>Notes :</b> 1. Unless otherwise stated, tested to or by similarity to Honeywell internal specifications 2. Refers to output switching element at remote target condition		
Ordering guide		
Listing	Description	
ZS-00369-01	Normally open, current sinking	
ZS-00369-02	Normally closed, current sourcing	