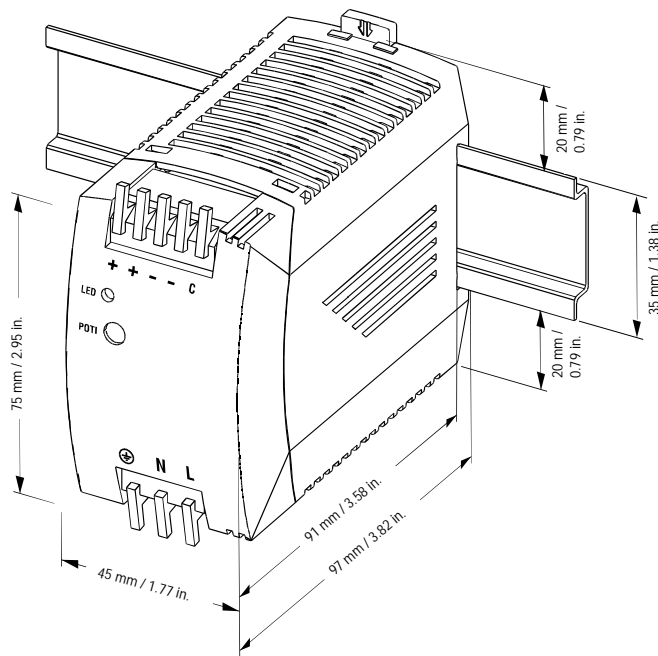


ACCESSORIES - POWER SUPPLY**ac to dc power supply****FF-SXZPWR050**

- Worldwide approvals: UL508 listed, UL1950, cUL/CSA-C22.2 No.950-M90), EN/IEC 60 950, EN 50178 (Class 2 Rated for low power installations).
- Input voltage: 85-264 Vac (43-67 Hz).
- Output voltage: 24-28 Vdc adjustable.
- Rated continuous load (at 60 °C/140 °F max.): 2,1 A @ 24 Vdc / 1,8A @ 28 Vdc.
- No external fuse required (the unit provides T3A internal fuse – not accessible).
- Special industrial overload design: the unit does not switch off at overload but delivers up to 1,5 time nominal current at reduced voltage.
- dc signal output and LED indicator (ON when output voltage exceeds 20 V ±4 %).
- Hold up time: >17 ms @ 100 Vac or >170 ms @ 230 Vac.
- Sealing: IP 20 (EN 60529), Protection class 1 (IEC 536).
- Operational temperature range: -10 ° to +70 °C (14 °F to 158 °F); storage temperature: -25 °C to 85°C (-13 °F to 185 °F).
- DIN rail mounting.
- Connection by spring clamp terminals with integrated lever for wire fixing (2 terminals per outputs).
- Weight: 240 g / 0.52 lbs



UL 508



UL 1950

cUL/
CSA-C22.289/336/EC
EMC &
73/23/EC
Low Voltage
Directives**WARNING****MISUSE OF DOCUMENTATION**

- The information presented in this product sheet (or catalogue) is for reference only. DO NOT USE this document as system installation information.
- Complete installation, operation and maintenance information is provided in the instructions supplied with each product.

Failure to comply with these instructions could result in death or serious injury.