

Model MA36S Multiturn Absolute



Features

- Standard Size 36 mm Package (1.42")
- Durable Magnetic Technology
- Multiturn Absolute Encoder (12 Bit/40 Bit)
- SSI and CANopen Communications
- Proven New Turns Counting Technology - No Gears or Batteries

The Model MA36S Multiturn Absolute Accu-Coder™ is ideal for a wide variety of industrial applications that require an encoder with the capability of absolute positioning output. Its fully digital output and innovative use of battery-free multiturn technology make the Model MA36S an excellent choice for all applications, especially ones with a high presence of noise. Its durable magnetic technology and high sealing make it a perfect choice for dirty industrial environments. Available with a 6 mm or 1/4" shaft and a servo mount, the Model MA36S is easily designed into a variety of applications.

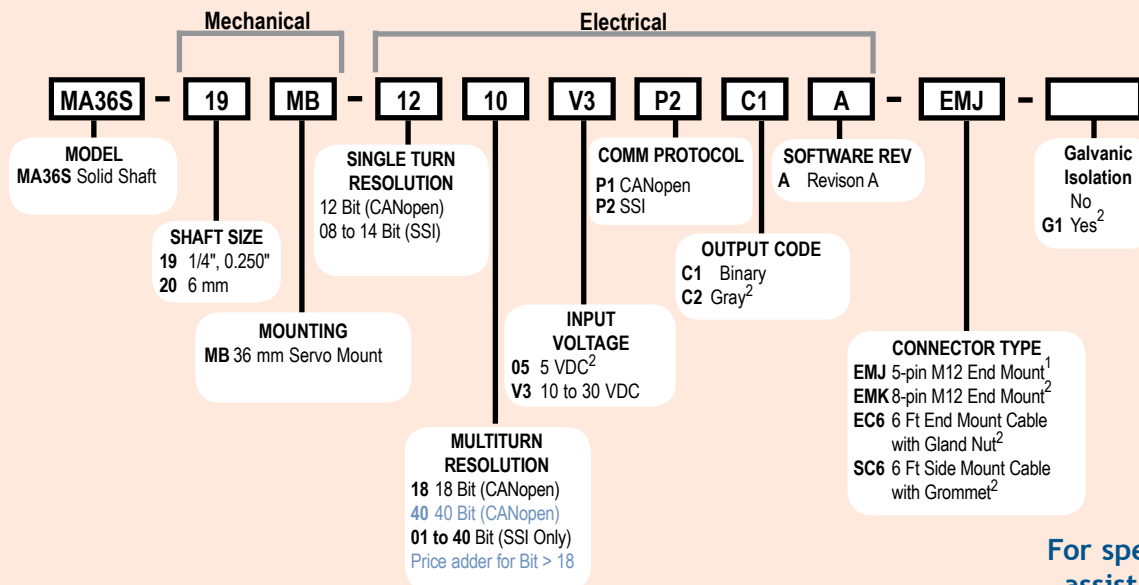
Common Applications

Robotics, Telescopes, Antennas, Medical Scanners, Windmills, Elevators, Lifts, Motors, Automatic Guided Vehicles, Rotary and X/Y Positioning Tables

Model MA36S Ordering Guide

For Single Turn applications see Model SA36S

Blue type indicates price adder options. Not all configuration combinations may be available. Contact Customer Service for details.



For specification assistance call Customer Service at 1-800-366-5412

Notes:

- 1 Available with CANopen only
- 2 Available with SSI only

Model MA36S Multiturn Absolute

Model MA36S Specifications

Electrical

- Input Voltage 10 to 30 VDC max SSI or CAN
5 VDC SSI Only
- Input Current..... 50 mA max with no external load
- Power Consumption. 0.5 W max
- Resolution (Single) ... 12 bit (CAN)
8 to 14 bit (SSI)
- Resolution (Multi) Up to 40 bit multiturn (CANopen or SSI)
- Accuracy Less than .15° (CANopen)
Less than .35° (SSI)

CANopen Interface

- Protocol CANopen:
 - Communication profile CiA 301
 - Device profile for encoder CiA 406 V3.2 class C2
- Node Number 0 to 127 (default 127)
- Baud Rate 10 Kbaud to 1 Mbaud with automatic bit rate detection

The standard settings as well as any customization in the software can be changed via LSS (CiA 305) and the SDO protocol, e.g. PDOs, scaling, heartbeat, node-ID, baud rate, etc

Programmable CAN Transmission Modes

- Synchronous When a synchronisation telegram (SYNC) is received from another bus node, PDOs are transmitted independently
- Asynchronous A PDO message is triggered by an internal event (e.g. change of measured value, internal timer, etc.)

SSI Interface

- Clock Input via opto coupler
- Clock Frequency... 100KHz to 500KHz
- Data Output RS485 / RS422 compatible
- Output Code Gray or binary
- SSI Output Angular position value
- Parity Bit Optional (even/odd)
- Error Bit Optional
- Turn On Time <1.5 sec
- Pos. Counting Dir.. Connect DIR to GND for CW
Connect DIR to VDC for CCW
(when viewed from shaft end)
- Set to Zero Apply VDC for 2 sec

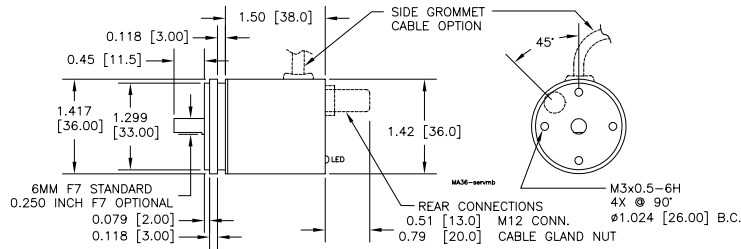
Mechanical

- Max Shaft Speed..... 12,000 RPM
- Shaft Size 6 mm, 0.250"
- Radial Shaft Load..... 7 lb (32 N) = bearing life 1.10¹⁰ revs
3.6 lb (16 N) = bearing life 1.10¹¹ revs
- Axial Shaft Load 5 lb (20 N) = bearing life 1.10¹⁰ revs
2.3 lb (10 N) = bearing life 1.10¹¹ revs
- Starting Torque <0.45 oz-in typical
- Housing..... Ferrous chrome-plated magnetic screening
- Mounting Flange or servo type
- Weight..... 5 oz typical

Environmental

- Operating Temp -40° to +80° C
- Storage Temp -40° to +100° C
- Humidity..... 95% RH non-condensing
- Vibration..... 5 g @ 10 to 2000 Hz
- Shock..... 100 g @ 6 ms duration
- Sealing..... IP67, shaft sealed to IP65

Model MA36S Solid Shaft



Wiring Table

CANopen Encoders

Function	Pin
+VDC	2
Ground (GND)	3
CAN _{High}	4
CAN _{Low}	5
CAN _{GND} / shield	1

SSI Encoders

	8-pin M12	Cable
Function		
Ground (GND)	1	White
+VDC	2	Brown
SSI CLK+	3	Green
SSI CLK-	4	Yellow
SSI DATA+	5	Gray
SSI DATA-	6	Pink
PRESET	7	Blue
DIR	8	Red
Shield	housing	Side Exit - Housing End Exit - N/C