

红外LED

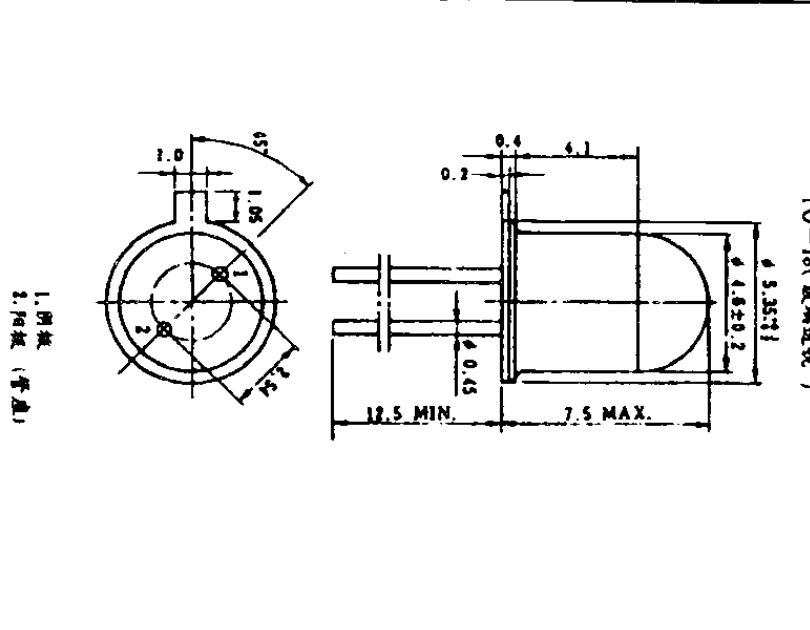
NEC

| 型号 | 极限参数 (Ta=25°C) | | | | 电·光特性 (Ta=25°C) | | | | 外形 | 备注 | |
|-------------------------------|-----------------|----------------|-----------------|-------------------|-----------------|-----------------|----------------|------------------|-----------|------|--------------------|
| | 正向电流 IF [mA] | 反向电压 VR [V] | 允许功耗 PD [mW] | 工作温度 Topr [°C] | 正向电压 VF [V] | 正向电流 IF [mA] | 峰值波长 λ [nm] | 半功率角 Δθ [deg] | | | 响应时间 tr/ta [ns] |
| ● GaAs 红外LED | | | | | | | | | | | |
| SE301A | 100 | 5 | 150 | - | 1.45 | 50 | 940 | - | 1000/1000 | N-1 | T0-18 |
| SE302A | 50 | 3 | 75 | - | 1.4 | 30 | 940 | - | 1000/1000 | N-2 | |
| SE303 | 100 | 5 | 150 | - | 1.45 | 50 | 940 | - | 1000/1000 | N-3 | |
| SE303A-C | 100 | 5 | 150 | -30~85 | 1.4 | 50 | 940 | ±25 | 1000/1000 | N-4 | 红外遥控用 |
| SE304 | 50 | 5 | 100 | -20~80 | 1.4 | 30 | 940 | - | 1000/1000 | N-5 | |
| SE306 | 50 | 5 | 100 | -20~80 | 1.4 | 10 | 940 | - | 1000/1000 | N-6 | |
| SE307-C | 100 | 5 | 150 | -30~85 | 1.4 | 50 | 940 | ±15 | 1000/1000 | N-7 | 红外遥控用 |
| SE308 | 50 | 5 | 100 | -20~80 | 1.4 | 20 | 940 | - | 1000/1000 | N-8 | |
| SE310 | 60 | 5 | 150 | -30~85 | 1.4 | 50 | 940 | - | 1000/1000 | N-9 | |
| SE313 | 100 | 5 | 150 | -30~85 | 1.45 | 50 | 940 | ±20 | 1000/1000 | N-10 | 红外遥控用 |
| SE316(L) | 50 | 6 | 75 | -30~85 | 1.4 | 10 | 940 | - | 1000/1000 | N-11 | |
| ● GaAlAs on GaAs 红外LED | | | | | | | | | | | |
| SE1003-C | 100 | 5 | 150 | -30~85 | 1.45 | 50 | 950 | ±25 | 1000/1000 | N-12 | 红外遥控用 |
| ● GaAlAs 红外LED | | | | | | | | | | | |
| SE1103 | 100 | 5 | 150 | -30~85 | 1.7 | 50 | 890 | - | 80/80 | N-13 | |
| NDL4103A | 150 | 2 | - | -40~80 | 2.3 | 100 | 850 | - | 10/10 | N-14 | 光纤用 |
| NDL4103L1 | 150 | 2 | - | -40~70 | 2.3 | 100 | 850 | - | 10/10 | N-15 | 光纤用 |
| NDL4105A | 150 | 2 | - | -40~70 | 2.3 | 100 | 850 | - | - | N-14 | 光纤用, f c=35MHz |
| NDL4105B | 150 | 2 | - | -40~70 | 2.3 | 100 | 850 | - | - | N-16 | 光纤用, f c=35MHz |
| NDL4105L1 | 150 | 2 | - | -40~70 | 2.3 | 100 | 850 | - | - | N-15 | 光纤用, f c=35MHz |
| ● InGaAsP 红外LED | | | | | | | | | | | |
| NDL5300 | 150 | 2 | - | -40~80 | 2.0 | 100 | 1300 | - | 15/25 | N-17 | 光纤用 |
| NDL5302 | 150 | 1 | - | -40~80 | 2.0 | 100 | 1300 | - | 3/4 | N-17 | 光纤用 |
| NDL5302L1 | 150 | 1 | - | -40~80 | 2.0 | 100 | 1300 | - | 3/4 | N-18 | 光纤用 |
| NDL5302L2 | 150 | 1 | - | -40~80 | 2.0 | 100 | 1300 | - | 3/4 | N-18 | 光纤用 |
| NDL5310 | 120 | 2 | - | -40~80 | 2.0 | 80 | 1300 | - | 8/12 | N-17 | 光纤用 |
| NDL5312 | 120 | 2 | - | -40~80 | 2.0 | 80 | 1300 | - | 2/3 | N-17 | 光纤用 |
| NDL5314 | 120 | 2 | - | -40~80 | 2.0 | 80 | 1300 | - | 1.5/2.5 | N-17 | 光纤用 |

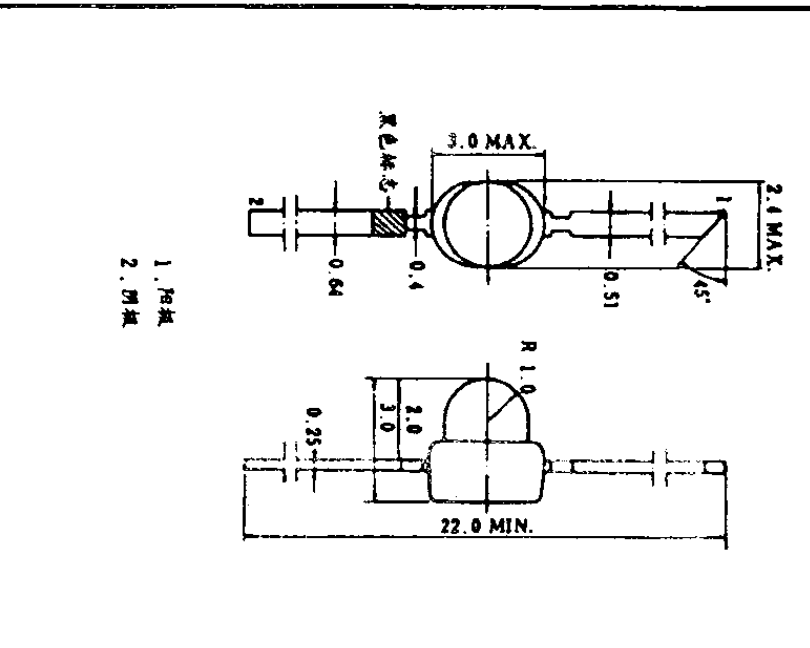
红外LED

NEC

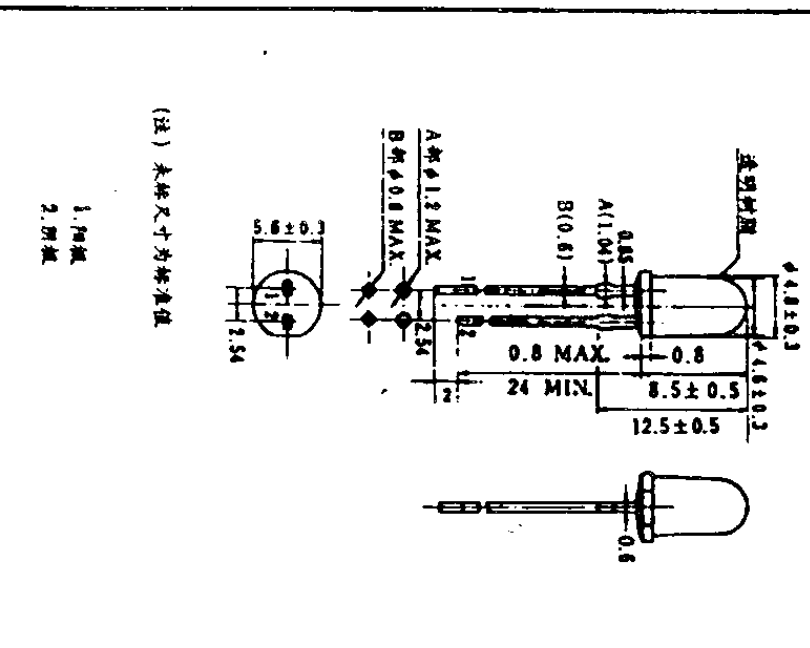
N-1



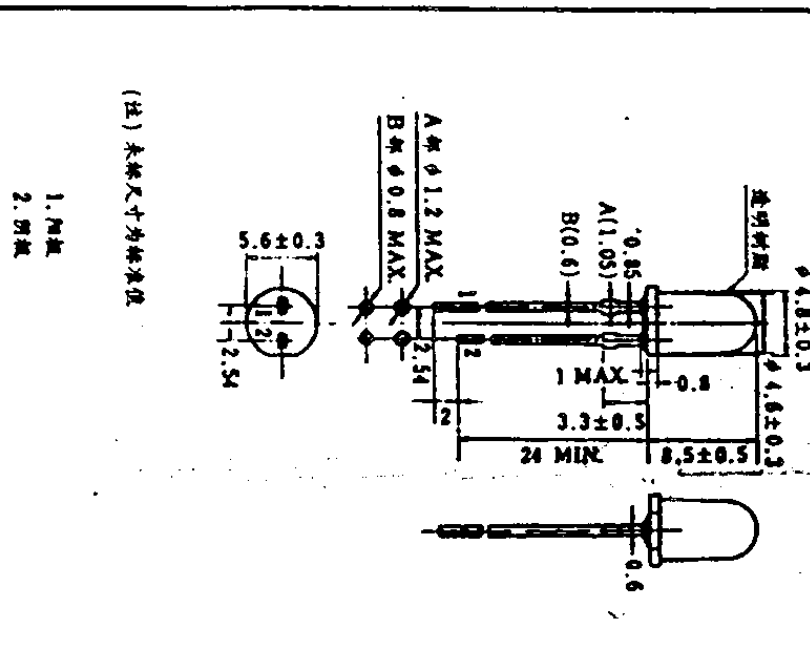
N-2



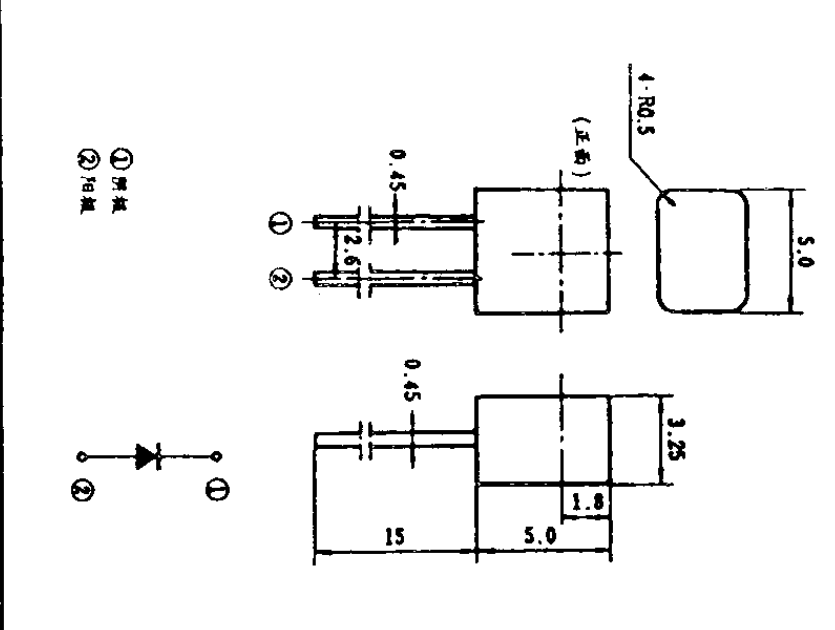
N-3



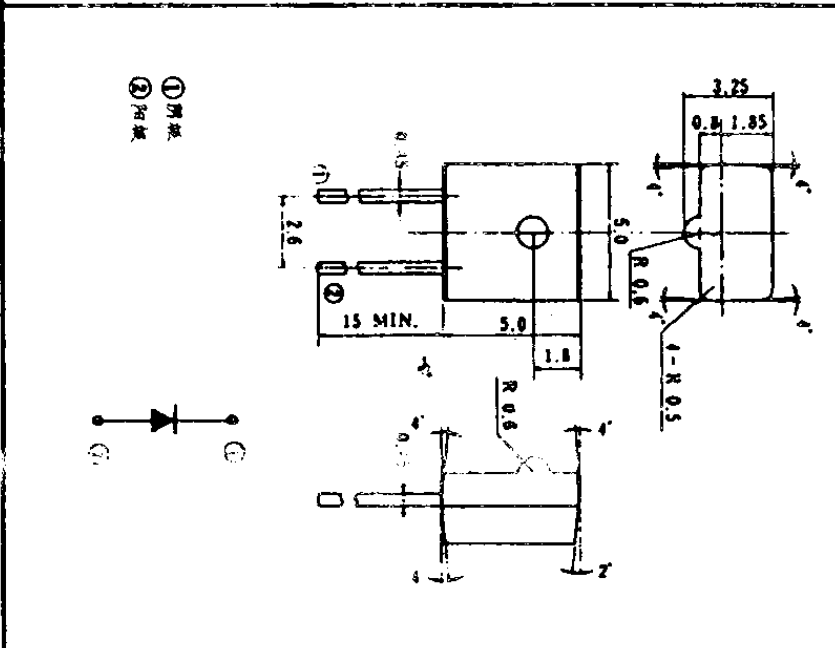
N-4



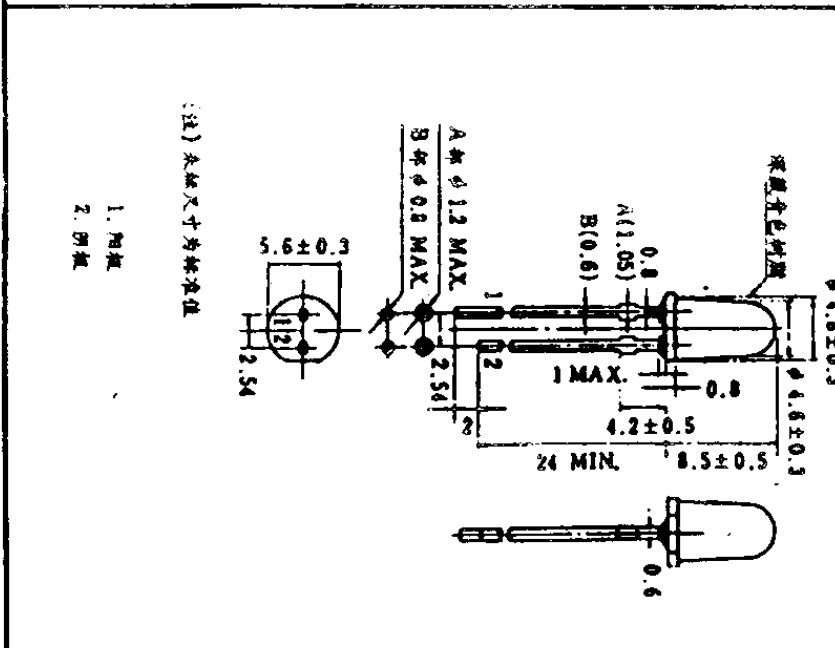
N-5



N-6



N-7



N-8

