



DC Brushless Motor Hall Driver IC

PT3907
Hall Driver IC

Applications

- 5V/12V double coils DC brushless motor
- Revolution counting
- Speed Measurement
- DC 3V~18V Operation Voltage

Features

- Soft switching output driver
- Built-in hall sensor
- Motor locked protection and automatic restart
- Built-in hysteresis comparator
- Built-in protection zener diode
- High balance and low thermal drift magnetic sensing
- Low power consumption and high driving efficiency

Specifications

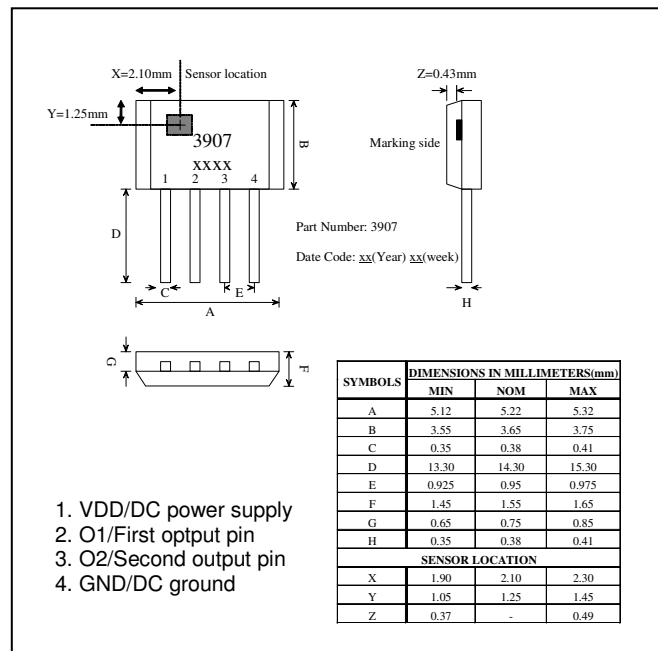
Absolute Maximum Ratings (Ta=25°C)

Parameter	Symbol	Conditions	Rating	Units
Maximum supply voltage	VDDmax		18	V
Allowable power dissipation	Pd		568 ^{*1}	mW
Operating temperature	Ta		-30~+85	°C
Storage temperature	Ts		-50~+150	°C
Max. output current	I _{OMAX}	0.5sec	800 ^{*2}	mA
Thermal resistance	Raj		220	°C/W

*1: Reduced by 4.5mW for each increase in Ta of 1°C over 25°C When mounted on 50mm x 50mm x 1.6mm glass epoxy board

*2: Should not exceed Pd

Package: TO-92-4pin



1. VDD/DC power supply
2. O1/First output pin
3. O2/Second output pin
4. GND/DC ground

◆ All PROLIFIC products described or contained herein do not have specifications that can handle applications require extremely high levels of reliability, such as life support systems, aircraft control systems, or other applications whose failure can be reasonably expected to result in serious physical and/or material damage. Consult with your PROLIFIC representative nearest you before using any PROLIFIC products described or contained herein in such applications.

◆ PROLIFIC assumes no responsibility for equipment failures that result from using products at values that exceed, even momentarily, the rated values (such as maximum ratings, operating condition ranges, or other parameters) listed in products specifications of any and all PROLIFIC products described or contained herein.

PROLIFIC TECHNOLOGY INC.
7F, No.48, Sec.3, Nan Kang Rd., Nan Kang, Taipei, 115, Taiwan.



PT3907

Hall Driver IC

Electrical Characteristics ($T_A=+25^{\circ}\text{C}$, $V_{DD}=12\text{V}$)

Characteristic	Symbol	Test Condition	Min.	Typ.	Max.	Units
Supply Voltage	V_{DD}		3		17	V
Output Sink Voltage	$V_{DS(ON)}$	@ $I_{OUT} = 300\text{mA}$	0.3	0.4	0.6	V
Output Voltage Clamp	V_{BV}			27		V
Supply Current	I_{DD}	Output open		5	10	mA
Shutdown Time	T_{SD}		1.4	2.1	2.8	S
Restart Time	T_{RS}		0.2	0.3	0.4	S

Magnetic Characteristics ($T_A=+25^{\circ}\text{C}$, $V_{DD}=12\text{V}$)

Operate Point	B_{OP}		5	30	80	G
Release Point	B_{RP}		-80	-30	-5	G
Hysteresis	B_{HYS}		20	60	100	G

General Specifications

The PT3907 is designed for magnetic actuating using a bipolar magnetic field. The built-in dynamic offset cancellation of pre-amplifier stage achieves optimal symmetrical magnetic sensing. The output driver provides a linear drive to eliminate switching noise. This Hall effect IC is optimal for DC brushless fan application. The supply voltage range is from 3V to 17V.

Lock Protection

In order to protect the motor, the driver IC will be shutdown to drive the coil when the motor is locked over 0.3 seconds. Then, it restarts to drive the motor after 2.1 seconds. Figure 1 shows the timing diagram between the hall input signal and driver's output state.

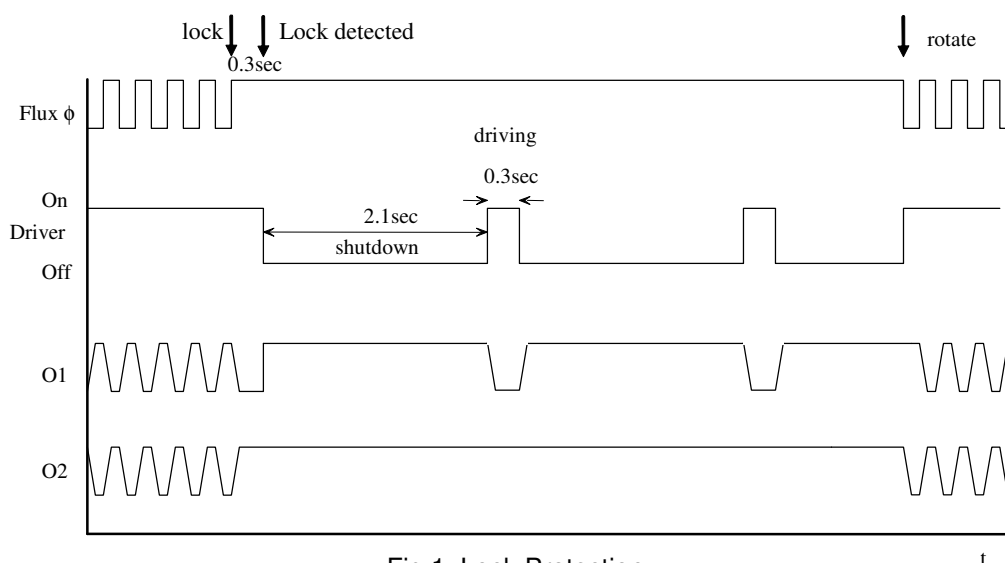


Fig 1. Lock Protection



Hall Sensor

This Hall effect sensor IC integrates the sensor, pre-amplifier with dynamic offset cancellation and the hysteresis comparator in single chip. The hysteresis characteristic is illustrated in Fig. 2 and the threshold of the magnetic flux density is ± 30 Gauss.

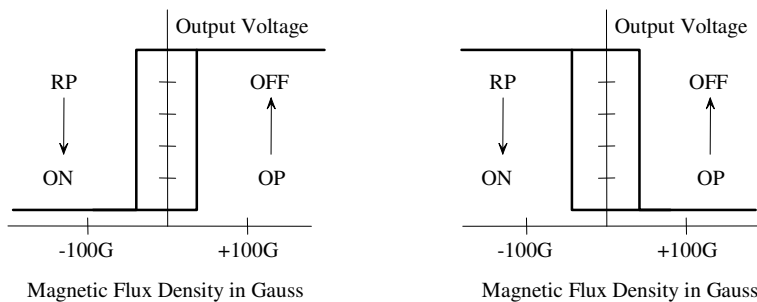


Fig 2. Magnetic Hysteresis Characteristics

The Hall IC architecture block diagram is shown in Fig. 3.

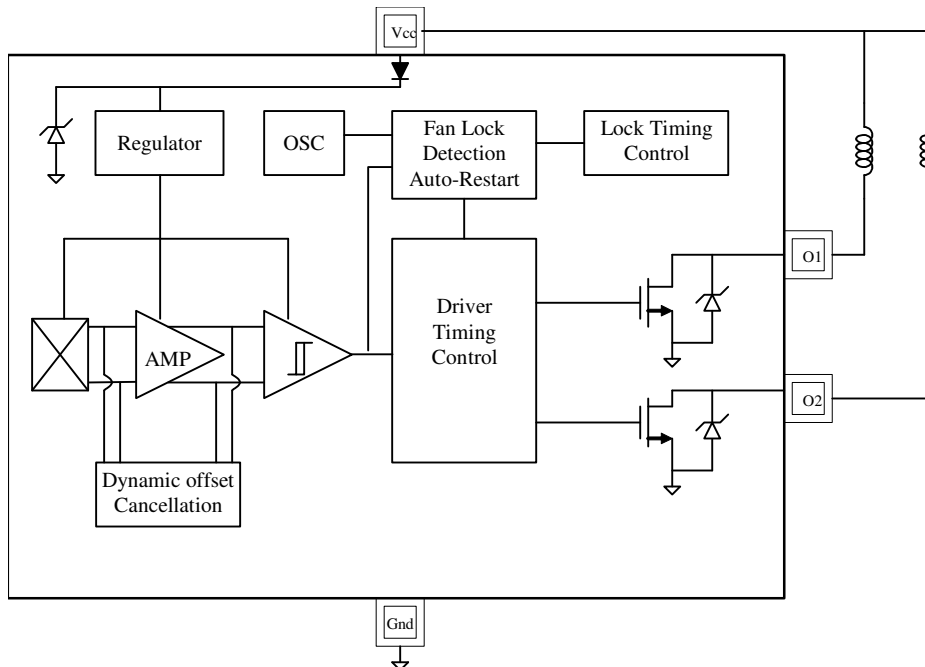


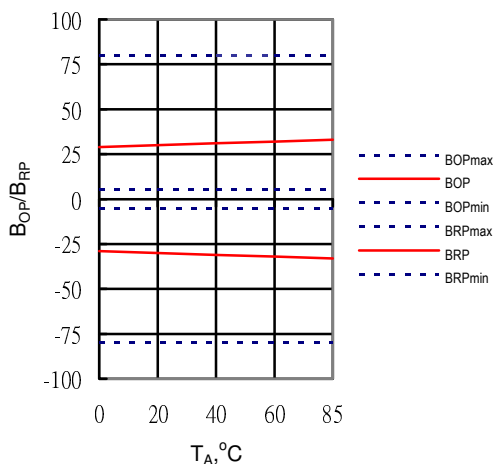
Fig. 3 PT3907 Hall IC Architecture



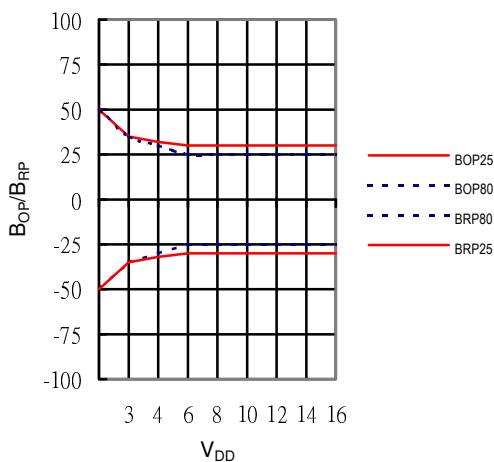
PT3907

Hall Driver IC

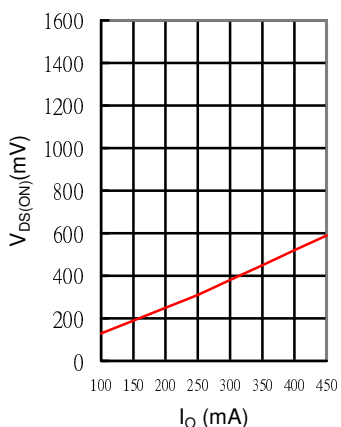
B_{OP}, B_{RP} versus temperature



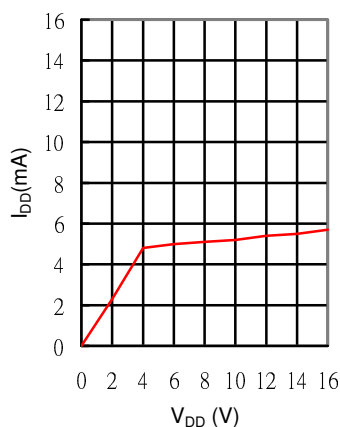
B_{OP}, B_{RP} versus supply voltage



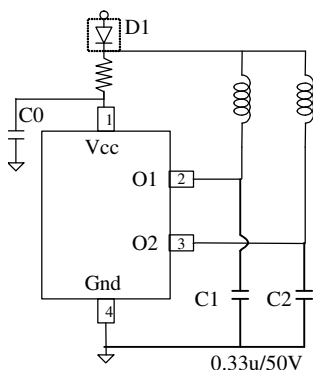
V_{DS(ON)} versus I_O current



I_{DD} versus power supply



Application circuits



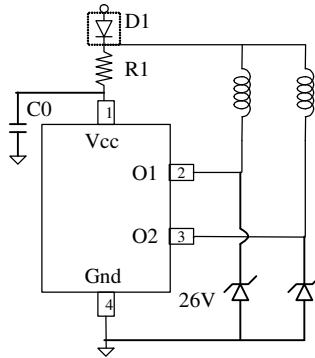
C0: decoupling capacitor 0.1uF~2.2uF (recommended)

C1, C2: Filter capacitor 0.33uF (recommended)

R1: 47 ohm, 1/2W (recommended)

**Note:**

The voltage of pin2 and pin3 must be < 30V. If the voltage of pin2 and pin3 are > 30V because of the greater BEMF caused from coil, the external zener diode need to be added as following circuit.



- ◆ Specifications of any and all PROLIFIC products described or contained herein stipulate the performance, characteristics, and functions of the described products in the independent state, and are not guarantees of the performance, characteristics, and functions of the described products as mounted in the customer's products or equipment. To verify symptoms and states that cannot be evaluated in an independent device, the customer should always evaluate and test devices mounted in the customer's products or equipment.
- ◆ PROLIFIC Technology Inc. strives to supply high-quality high-reliability products. However, any and all semiconductor products fail with some probability. It is possible that these probabilistic failures could give rise to accidents or events that could endanger human lives, that could give rise to smoke or fire, or that could cause damage to other property. When designing equipment, adopt safety measures so that these kinds of accidents or events cannot occur. Such measures include but are not limited to protective circuits and error prevention circuits for safe design, redundant design, and structural design.
- ◆ In the event that any and all PROLIFIC products described or contained herein fall under strategic products (including services) controlled under the Foreign Exchange and Foreign Trade Control Law of Taiwan, such products must not be exported with our obtaining export license from the Ministry of international Trade and Industry in accordance with the above law.
- ◆ No part of this publication may be reproduced or transmitted in any form or by any means, electronic or mechanical, including photocopying and recording, or any information storage or retrieval system, or otherwise, without the prior written permission of PROLIFIC Technology Inc.
- ◆ Any and all information described or contained herein are subject to change without notice due to product/technology improvement, etc. When designing equipment, refer to the Delivery Specification for the PROLIFIC product that you intend to use.
- ◆ Information (including circuit diagrams and circuit parameters) herein is for example only; it is not guaranteed for volume production. PROLIFIC believes information herein is accurate and reliable, but no guarantees are made or implied regarding its use or any infringements of intellectual property rights or other rights of third parties.

Specifications and information herein are subject to change without notice.