

Carbon Monoxide CiTiceL[®] Specification



A5H CiTiceL[®]

Performance Characteristics

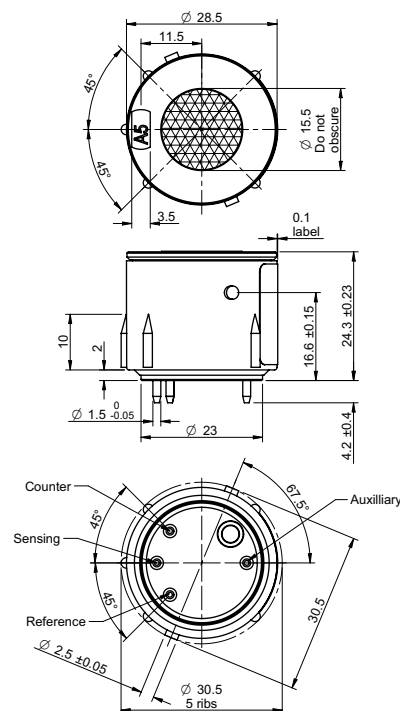
Nominal Range	0-100ppm
Maximum Overload	4000ppm
Replaceable Filter Unit	To remove acid gases
Auxiliary Electrode	To compensate for H ₂ cross-interference
Expected Operating Life	Two years
Output Signal	0.125±0.025 µA/ppm
Resolution	0.1ppm
Temperature Range	0°C to +45°C
Pressure Range	Ambient ± 10%
Pressure Coefficient	<0.02% signal/mBar
T₉₀ Response Time	To be determined
Relative Humidity Range	15 to 90% non-condensing
Typical Baseline Range (pure air)	-2 to +17ppm equivalent
Maximum Zero Shift (+20°C to +40°C)	No data
Long Term Output Drift	<10% signal loss/year
Recommended Load Resistor	10 Ω
Bias Voltage	0 or +250mV
Repeatability	±1%
Output Linearity	Linear
Colour Coding	White

N.B. All performance data is based on conditions at 20°C, 50%RH, and 1013mBar

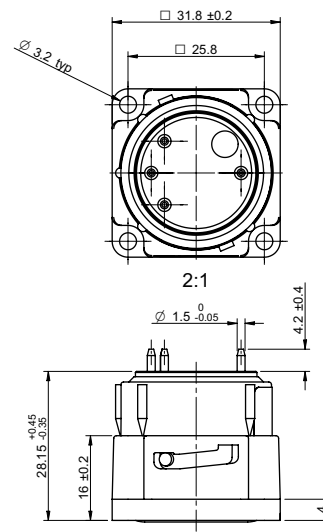
Physical Characteristics

Weight	13 g
Position Sensitivity	None
Storage Life	Six months in CTL container
Recommended Storage Temperature	0-20°C
Warranty Period	12 moths from date of despatch

Outline Sensor Dimensions



With Bayonet Fitting

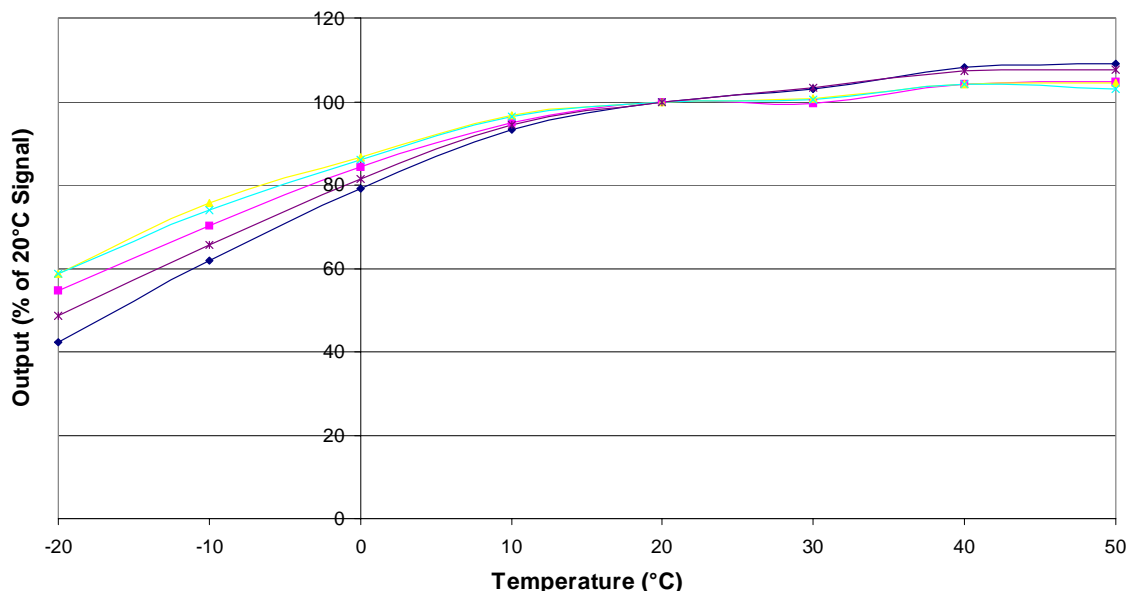


All tolerances ±0.15mm unless otherwise stated

Carbon Monoxide CiTiceL[®] Specification



A5H CiTiceL - Temperature Coefficient Data



Cross-sensitivity Data

CiTiceLs may exhibit a response to certain gases in a sample other than the target gas. The table below shows the typical response of A5H sensors to a number of common cross-interfering gases. The figures are expressed as a percentage of the primary sensitivity (i.e. carbon monoxide = 100%).

<u>Gas</u>	<u>Response</u>	<u>Gas</u>	<u>Response</u>
Hydrogen sulphide:	0	Hydrogen:	<1 (see note)
Sulphur dioxide:	0	Hydrogen chloride:	0
Nitric oxide:	0	Ethylene:	≈35
Nitrogen dioxide:	0	** For details of other possible cross-interfering gases contact City Technology.**	

Note: Cross-sensitivity to H₂ <1% after compensation

Every effort has been made to ensure the accuracy of this document at the time of printing. In accordance with the company's policy of continued product improvement City Technology Limited reserves the right to make product changes without notice. No liability is accepted for any consequential losses, injury or damage resulting from the use of this document or from any omissions or errors herein. The data is given for guidance only. It does not constitute a specification or an offer for sale. The products are always subject to a programme of improvement and testing which may result in some changes in the characteristics quoted. As the products may be used by the client in circumstances beyond the knowledge and control of City Technology Limited, we cannot give any warranty as to the relevance of these particulars to an application. It is the clients' responsibility to carry out the necessary tests to determine the usefulness of the products and to ensure their safety of operation in a particular application.

Performance characteristics on this data sheet outline the performance of newly supplied sensors. Output signal can drift below the lower limit over time.