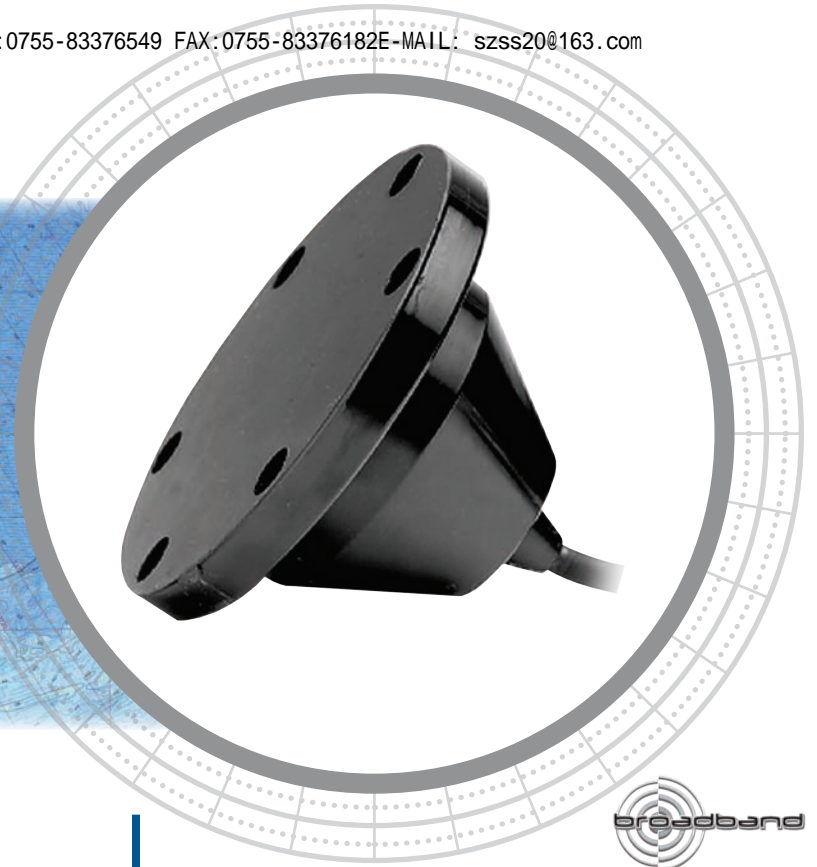


M194



Innovative Technology

Airmar's commitment to innovative technology has produced the M194. This broadband 200 kHz transducer has a Q of 2 and very good sensitivity. It enables users to perform accurate surveys in shallow-water with high resolution. This transducer can also be "chirped" with a long pulse over a wide-frequency band. Users with adjustable-frequency echosounders will be able to regulate the operating frequency and tailor the beamwidth to specific survey conditions.

Options

- Impedance to customer's specifications using matching transformer

Tank-Mount 500 W Broadband

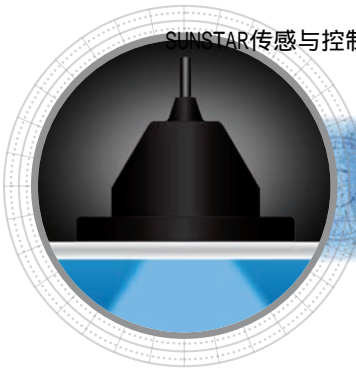
Applications

- River, harbor, and estuary survey
- Shallow-water survey

Features

- Broadband with low Q of 2
- Minimal sidelobes for concentrated energy on target providing excellent definition
- Dimensionally equivalent to the 6014
- Internal transformer provides impedance match to echosounder and allows use of longer cable
- 500 W RMS, power rating is at 2% duty cycle
- Seamless, SEALCAST™, urethane housing resists cuts and abrasion and has excellent, impact resistance



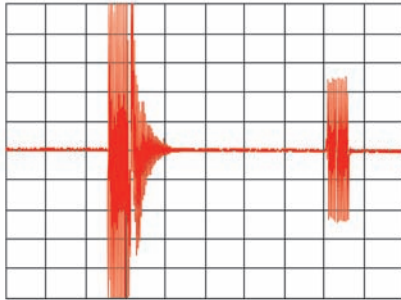


Technical Information

Frequencies	Configuration	Beamwidth (@-3 dB)	RMS Power (W)	FOM (dB)	Q	Series Impedance (R-jX)
200 kHz-BCIq Broadband		9°	500 W	-16	2	60-j0(t)

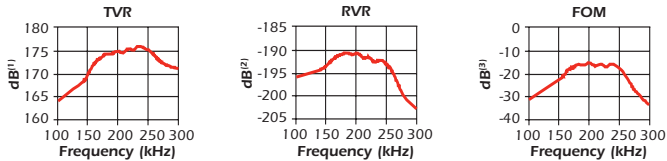
Echogram

Vertical: 1E+03 V/DIV
Horizontal: 500E-6 SEC/DIV

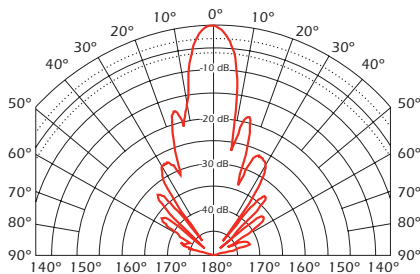


Technical Data—200 kHz-BCIq

TVR in dB re 1μPa/Volt at 1 m RVR in dB re 1 Volt/μPa



Directivity Pattern—200 kHz-BCIq



SPECIFICATIONS

Weight: 1.5 kg (3.3 lb)

Acoustic Window: Urethane

Cable Type: C-33

Shielded twisted pair (2-20 AWG) with braided shield, black neoprene jacket, 6 mm (1/7/64") diameter

DIMENSIONS

