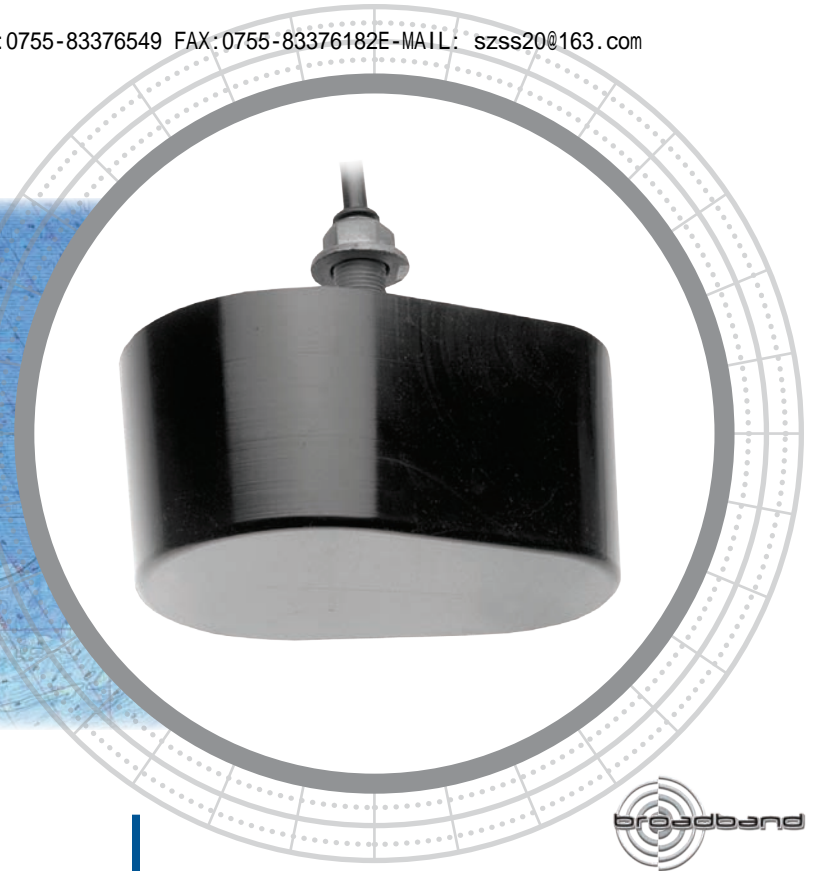


M191



Dual-Frequency Capability

The M191 features dual-frequency capability in a compact, lightweight housing. These frequencies have low sidelobes, which focus more energy on target and provide good definition in hard-bottom areas. The low-ringing (Q) versions give clear, bottom detail and are especially effective at surveying in extremely, shallow-water.

Options

- Impedance to customer's specifications using matching transformer
- Single-frequency transducers available

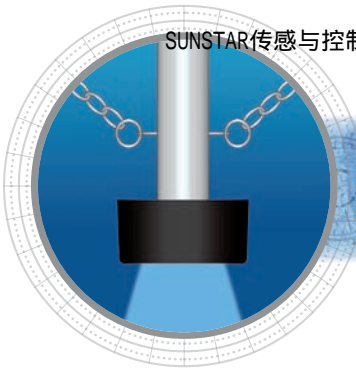
Portable-Mount 500 W - 1 kW Broadband

Applications

- River, harbor, or estuary survey

Features

- Stainless-steel, threaded stem easily attaches to portable-mounting apparatus
- Can be mounted on a towed body
- Not suitable for thru-hull mounting
- Internal transformer provides correct impedance match to echosounder and allows use of longer cable
- Seamless, SEALCAST™, urethane housing for long life underwater



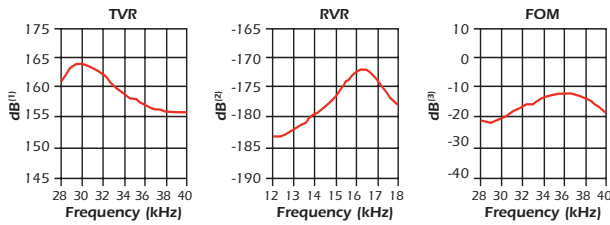
Technical Information

Frequencies	Configuration	Beamwidth (@-3 dB)	RMS Power (W)	FOM (dB)	Q	Series Impedance (R-jX)
24 kHz-K	A	33°	900 W	-18	9	50-j0(t)
30 kHz-D	B	26°	600 W	-15	7	70-j0(t)
33 kHz-E	B	23°	700 W	-13	7	70-j0(t)
50 kHz-T	B	15°	1 kW	-13	8	80-j0(t)
200 kHz-AWq		6°	1 kW	-16	10	TBD
200 kHz-BCq Broadband		8°	500 W	-16	2.3	60-j0(t)

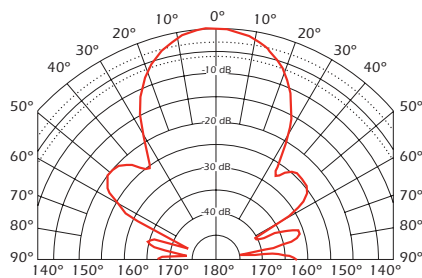
Technical Data—30 kHz-D

TVR in dB re 1μPa/Volt at 1 m

RVR in dB re 1 Volt/μPa



Directivity Pattern—30 kHz-D



SPECIFICATIONS

Weight: Varies depending on configuration (Call for weight)

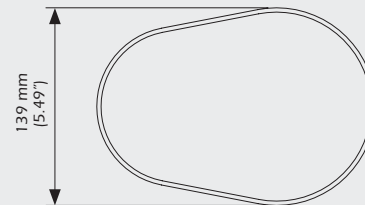
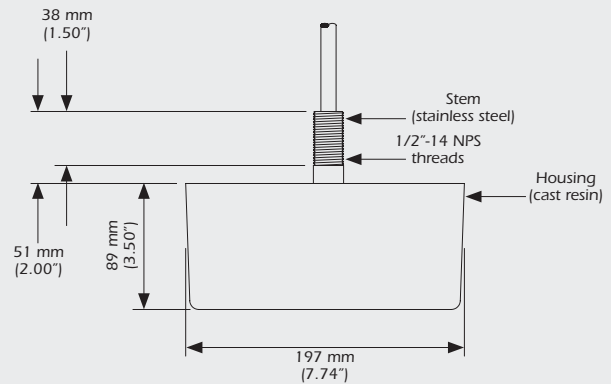
Acoustic Window: Urethane

Stem Thread: 1/2"-14 NPS

Cable Type: C-44

Three shielded twisted pair (two 2-18 AWG and one 2-22 AWG) with foil and braided shield overall, black TPR jacket, 11 mm (7/16") diameter

DIMENSIONS



Configuration	Dimension A
A	115 mm (4.5")
B	89 mm (3.5")