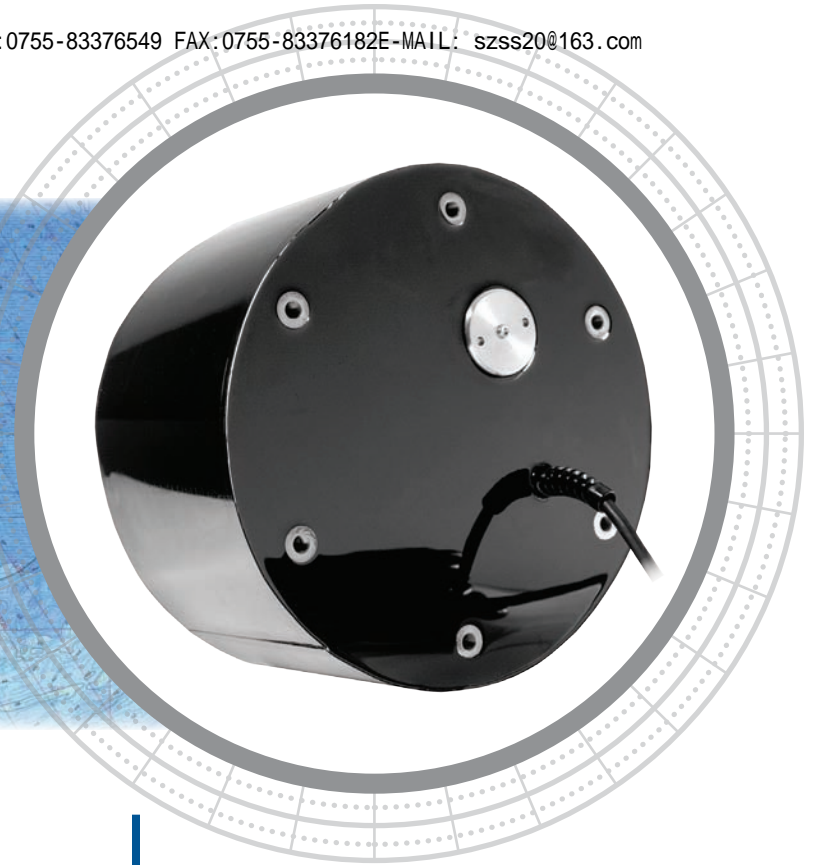


M190



Excellent Deep-Water Performance

M190 features a large, low-frequency, narrow-beam array for excellent, deep-water performance. The 12 kHz model can be used for sub-bottom profiling.

Options

- Impedance to customer's specifications using matching transformer
- Bulkhead connector to customer specifications
- Available as special-order unit with 15 kHz, 30 kHz, or 38 kHz array

External-Mount 3 - 10 kW

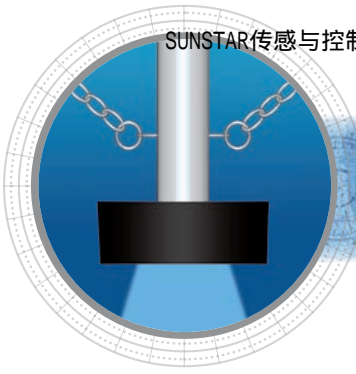
Applications

- Survey echosounding
- Sub-bottom profiling

Features

- Highly-efficient, low-ringing arrays provide exceptional, bottom detail
- Matching transformer provides pure, resistive load
- Stuffing tubes are available to form a watertight conduit for cable routing and are available in a variety of materials to match all hull types
- Housing features six, threaded, mounting points
- Can be mounted as an in-hull in a fiberglass hull
- Can be adapted for use as a portable-mount
- Seamless, SEALCAST™, urethane housing with internal, stainless-steel, chassis resists damage when impacted





Technical Information

Frequencies	Configuration	Beamwidth (@-3 dB)	RMS Power (W)	FOM (dB)	Q	Series Impedance (R-jX)
12 kHz-E	A	24°	5.7 kW	-7	5	60-j0(t)
24 kHz-G	B	11°	7 kW	-1	6	50-j0(t)
28 kHz-I	B	9°	10 kW	-2	9	60-j0(t)
33 kHz-H	B	10°	3 kW	-5	5	60-j0(t)

SPECIFICATIONS

Weight: Varies depending on configuration (Call for weight)

Acoustic Window: Urethane

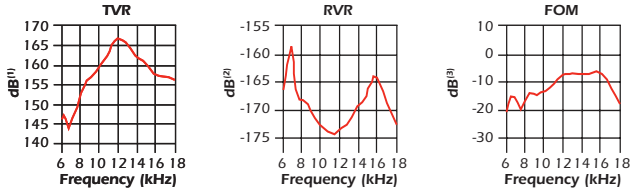
Cable Type: C-43

Shielded twisted pair (2-14 AWG) with braided shield, black neoprene jacket, 10 mm (13/32") diameter

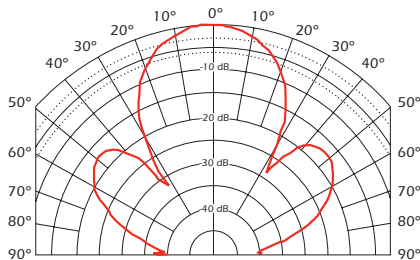
Technical Data—12 kHz-E

TVR in dB re 1μPa/Volt at 1 m

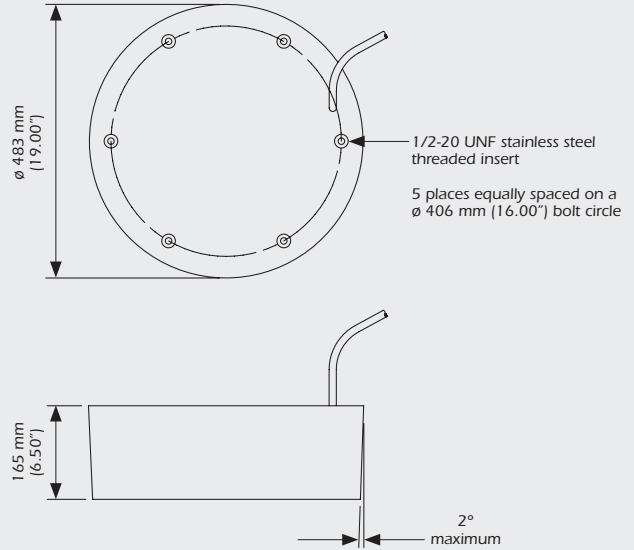
RVR in dB re 1 Volt/μPa



Directivity Pattern—12 kHz-E



DIMENSIONS



Configuration	Dimension A
A	165 mm (6.50")
B	151 mm (5.95")