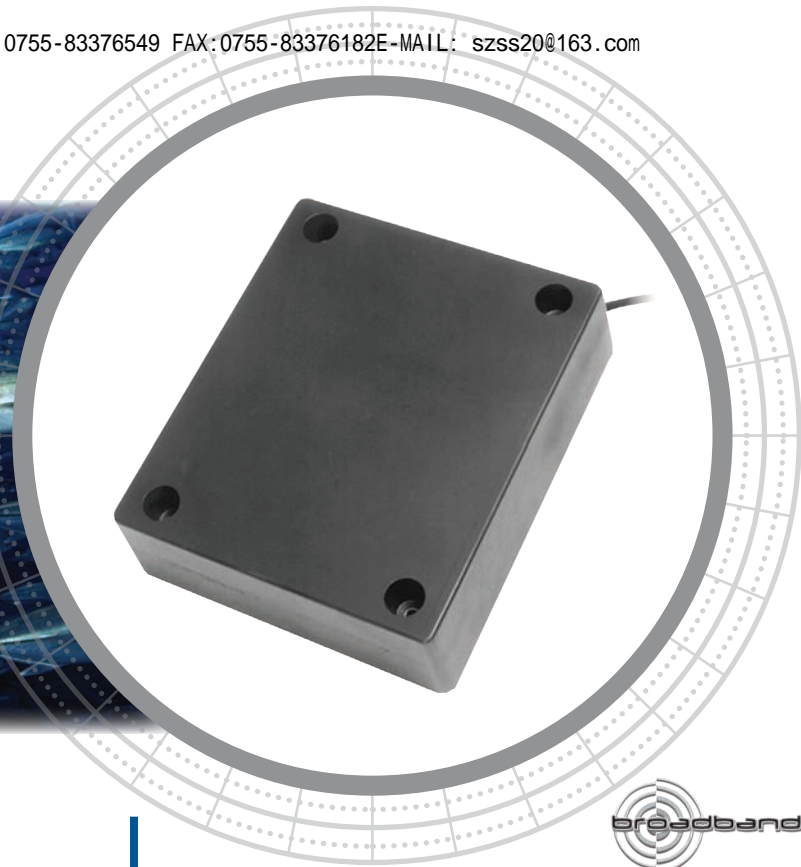


M176



Unparallel Deep-Water Fishfinding

The M176 transducer is available in a low and a mid-frequency. Single or dual-frequency models feature high efficiency and sensitivity for unparallel, deep-water fishfinding and surveying. The versatile housing accommodates 12 kHz, 28 kHz, or 70 kHz with a 200 kHz array.

Options

- Dual-beam configuration
- Impedance to customer specifications using matching transformer
- Underwater bulkhead connector
- Available as special order unit with 24 kHz, 33 kHz, 70 kHz, or 200 kHz array
- Available as special-order unit with broadband, extremely low-ringing (Q), 200 kHz, element

Tank-Mount 500 W - 4.2 kW Broadband

Applications

- High-powered fishfinders
- Deep-water fishfinding
- Deep and shallow-water survey

Features

- Low-ringing array allows fishermen to easily discriminate between bottom structure and target fish
- Narrow beamwidth and low sidelobes result in exceptional sensitivity and provide distinct, bottom detail
- Stuffing tubes are available to form a watertight conduit for cable routing and are available in a variety of materials to match all hull types
- Matching transformer provides pure, resistive load
- Can be mounted externally or adapted for portable mounting
- Single or dual-frequency
- All mounting hardware included
- Seamless, SEALCAST™, urethane housing for long life underwater





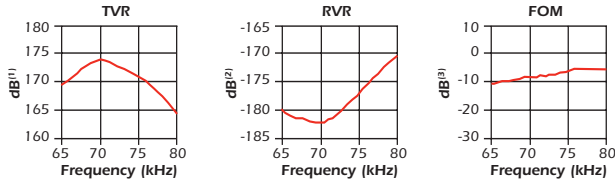
Technical Information

Frequencies	Configuration	Beamwidth (@-3 dB)	RMS Power (W)	FOM (dB)	Q	Series Impedance (R-jX)
12 kHz-D	A	25° x 32°	4.2 kW	-10	5	60-j0(t)
28 kHz-D	A	11° x 14°	4 kW	-4	7	70-j0(t)
70 kHz-A	B	6°	3 kW	-6	9	55-j0(t)
200 kHz-BCq Broadband	C	8°	500 W	-16	2.3	60-j0(t)

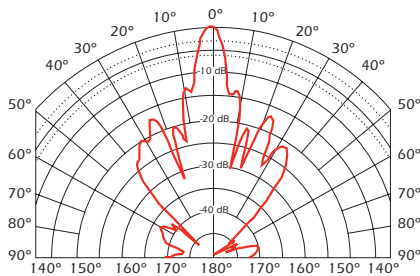
Technical Data—70 kHz-A

TVR in dB re 1μPa/Volt at 1 m

RVR in dB re 1 Volt/μPa



Directivity Pattern—70 kHz-A



SPECIFICATIONS

Weight: Varies depending on configuration (Call for weight)

Acoustic Window: Urethane

Housing Material: Cast urethane

Cable Type:

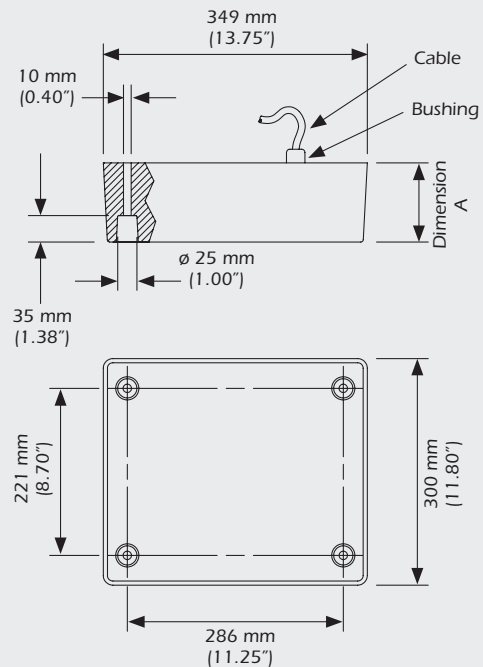
Single-Frequency—C43

Shielded twisted pair (2-14 AWG) with braided shield, black neoprene jacket, 10 mm (13-32") diameter

Dual-Frequency—C44

Three shielded twisted pairs (two 2-18 AWG and one 2-20 AWG) with foil and braided shield overall, black TPR jacket, 11 mm (7/16") diameter

DIMENSIONS



Configuration	Dimension A
A	105 mm (4.12")
B	130 mm (5.12")
C	172 mm (6.75")