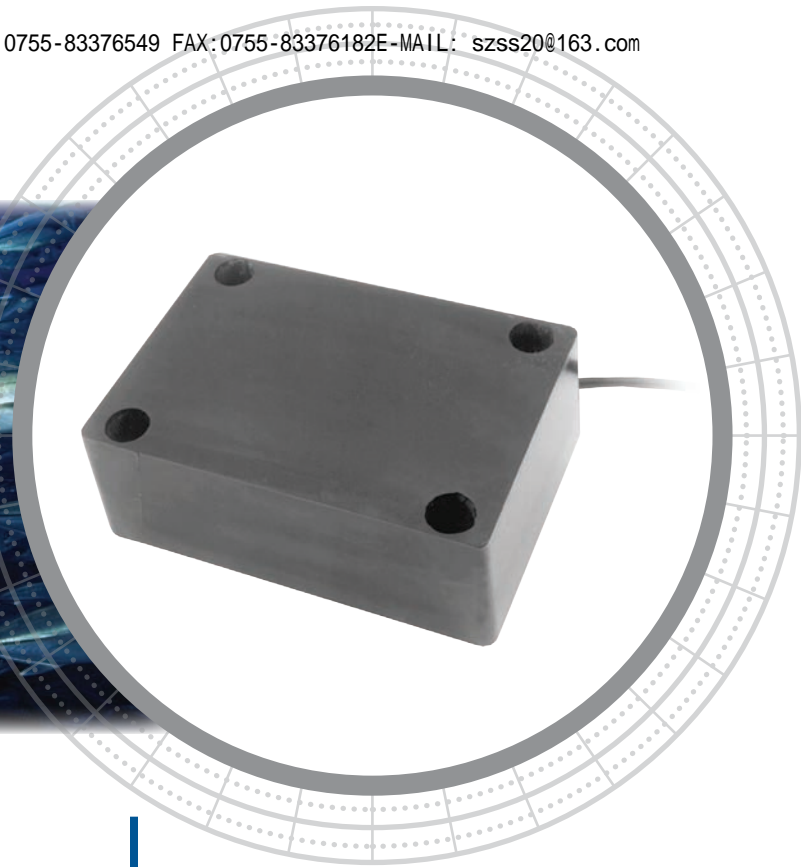


M175



Versatile

The M175 low-frequency 12 kHz, 24 kHz, and 28 kHz arrays produce good bottom detail in deep-water. The 28 kHz packs up to 3 kilowatts of power in a compact, moderately-priced transducer. The 38 kHz model with 34 elements produces very high source levels, allowing deep-water detection of weak targets. The highly efficient and highly sensitive ceramic-element arrays provide exceptional deep-water fishfinding.

Options

- Impedance to customer specifications using matching transformer
- Available as special order with 24 kHz, 28 kHz, 33 kHz, or 75 kHz array
- Available with 120 kHz, 200 kHz, or 1 MHz secondary frequency
- Available with broadband, low-ringing (Q), 200 kHz secondary frequency

Tank-Mount 1.5 - 3 kW

Applications







- Deep-water survey
- Mid-sized commercial fishing vessels

Features

- Low-ringing array allows fishermen to easily discriminate between bottom structure and target fish
- Stuffing tubes are available to form a watertight conduit for cable routing and are available in a variety of materials to match all hull types
- Extremely narrow beamwidth and exceptional sensitivity provide unmatched bottom detail
- Matching transformer provides pure, resistive load
- Can be mounted externally or adapted for portable mounting
- All mounting hardware included
- Seamless, SEALCAST™, urethane housing for long life underwater



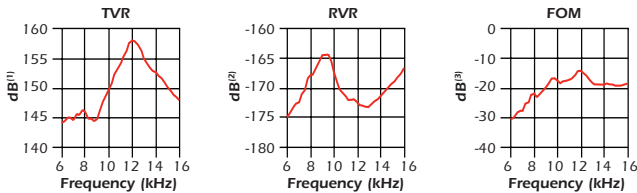
Technical Information

Frequencies	Configuration	Beamwidth (@-3 dB)	RMS Power (W)	FOM (dB)	Q	Series Impedance (R-jX)
12 kHz-B	 A	42°	2.1 kW	-14	7	185-j0(t)
12 kHz-C	 B	26° x 38°	3 kW	-13	5	60-j0(t)
24 kHz-B	 C	20°	1.5 kW	-10	5	70-j0(t)
28 kHz-C	 D	13° x 18°	3 kW	-8	5	70-j0(t)
28 kHz-C	 E	13° x 18°	3 kW	-7	5	70-j0(t)
38 kHz-F	 F	8° x 13°	3 kW	-2	7	70-j0(t)

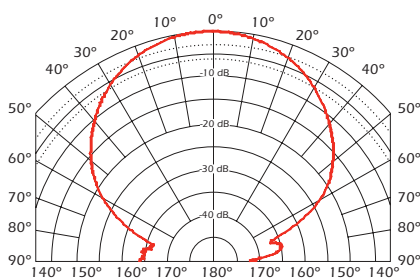
Technical Data—12 kHz-B

TVR in dB re 1μPa/Volt at 1 m

RVR in dB re 1 Volt/μPa



Directivity Pattern—12 kHz-B



SPECIFICATIONS

Weight: Varies depending on configuration (Call for weight)

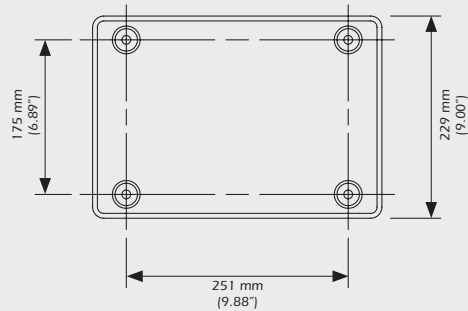
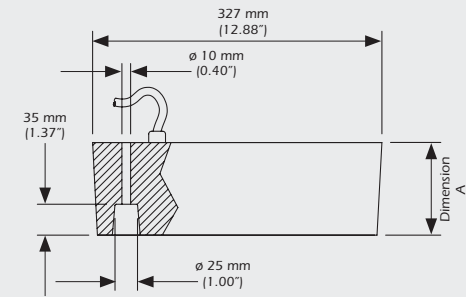
Acoustic Window: Urethane

Housing Material: Cast urethane

Cable Type: C43

Shielded twisted pair (2-14 AWG) with braided shield, black neoprene jacket, 10 mm (1/3-3/2") diameter

DIMENSIONS



Configuration	Dimension A
A	105 mm (4.12")
B	118 mm (4.63")
C	143 mm (5.63")
D, E, & F	152 mm (6.00")