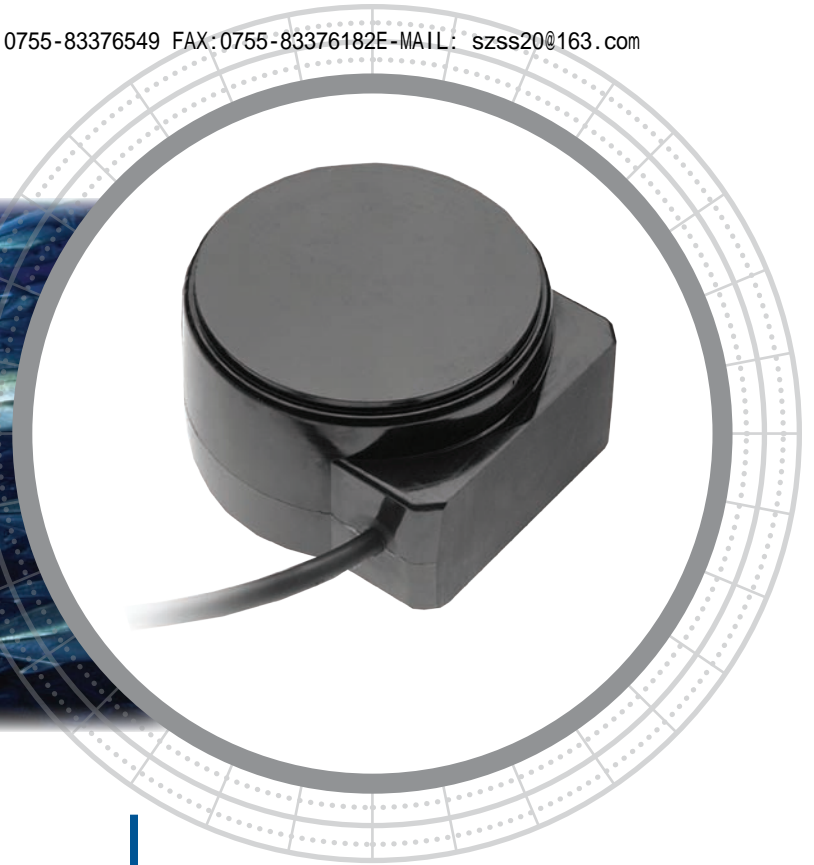


# M159



## Mid-Range Beamwidth

The M159 was specifically designed for retrofitting to popular 30 kHz, 33 kHz, and 50 kHz net sounders. Its mid-range beamwidth can be used to measure a trawl-net's distance from the bottom or surface. Connection to the trawl cable is easy with the MacArtney SUBCONN® underwater connector.

## Options

- Coupling transformer for interface to catch monitor
- Bulkhead connector on transducer
- No underwater connector
- Other frequencies and impedances

## Trawl-Mount 900 W - 1 kW

### Applications

- Trawl monitoring

### Features

- For retrofit with existing 30 kHz, 33 kHz, and 50 kHz net sounders
- Transducer is pressure rated to 600 m (2,000')
- Easy-to-mount in flooded pod
- Stainless-steel, internal chassis
- Seamless, SEALCAST™, urethane housing for long life underwater



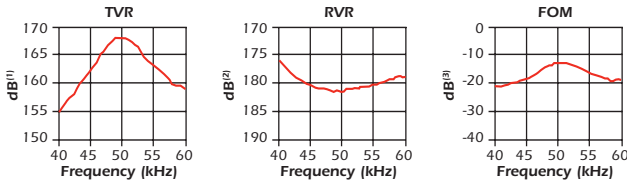
## Technical Information

Frequencies	Configuration	Beamwidth (@-3 dB)	RMS Power (W)	FOM (dB)	Q	Series Impedance (R-jX)
30 kHz-B	B	27°	900 W	-14	7	70-j0(t)
33 kHz-B	A	24°	1 kW	-15	8	70-j0(t)
50 kHz-T	A	15°	1 kW	-13	8	60-j0(t)

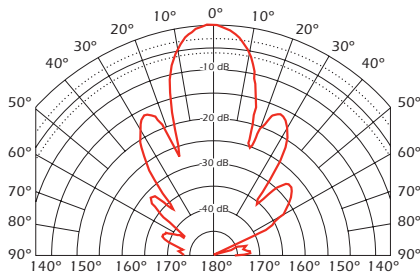
### Technical Data—50 kHz-T

TVR in dB re 1μPa/Volt at 1 m

RVR in dB re 1 Volt/μPa



### Directivity Pattern—50 kHz-T

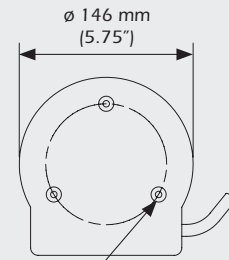


### SPECIFICATIONS

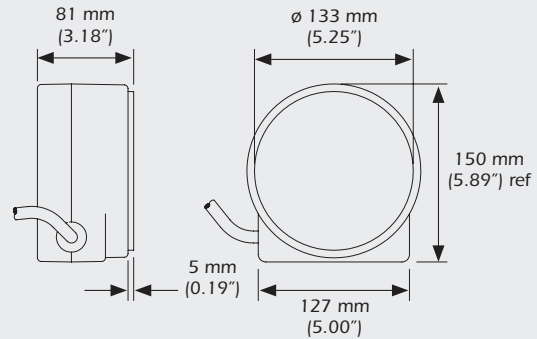
**Weight:** Varies depending on configuration (Call for weight)

**Acoustic Window:** Urethane

### DIMENSIONS



1/4"-20 UNC  
3 places equally spaced on a  
102 mm (4.00") bolt circle



Configuration	Dimension A
A	81 mm (3.18")
B	102 mm (4.00")