

# ATK200

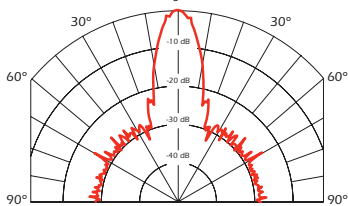


## SPECIFICATIONS

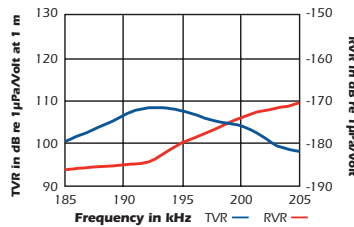
- Best Operating Frequency:** 200 kHz,  $\pm 4\%$
- Minimum Transmit Sensitivity at Best Transmit Frequency:** 102 dB, 1  $\mu\text{Pa/V}$  at 1 m
- Minimum Receive Sensitivity at Best Receive Frequency:** -180 dB re 1V/ $\mu\text{Pa}$
- Minimum Parallel Resistance:** 300  $\Omega$ ,  $\pm 30\%$
- Minimum and Maximum Sensing Range\*:** 10 cm to 3 m
- Typical Sensing Range:** 12 cm to 2 m
- Free (1 kHz) Capacitance:** 500 pF,  $\pm 100$  pF
- Beamwidth (@ -3 dB Full Angle):** 10°,  $\pm 2^\circ$
- Maximum Driving Voltage (2% Duty Cycle Tone Burst):** 500 V<sub>pp</sub>
- Operating Temperature:** -40°C to 60°C
- Weight:** 6 g
- Housing Material:** PVDF
- Acoustic Window:** PVDF

\*Pulse-Echo Mode. Minimum and maximum ranges are best case scenarios. Actual range may vary depending on drive circuitry and signal processing.

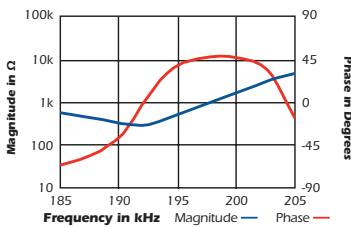
### Directivity Pattern



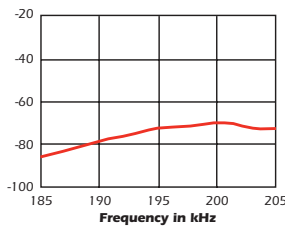
### Transmit & Receive Voltage Response



### Impedance Magnitude & Phase



### Figure of Merit (Sum of TVR & RVR)



## 200 kHz

AIRDUCER® Ultrasonic Transducer

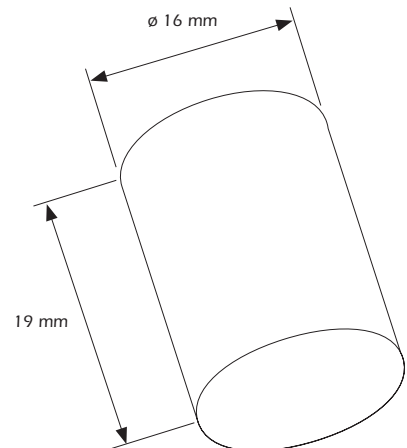
### Applications

- Level measurement
- Automation control
- Proximity
- Obstacle avoidance
- Robotics
- Flow

### Features

- Rugged one-piece PVDF housing
- Cylindrical design allows for installation in various applications
- Resistant to chemically aggressive environments

### Dimensions



©Airmar Technology Corporation

ATK200\_rF 04/13/09

As Airmar constantly improves its products, all specifications are subject to change without notice. All specifications typical at 22°C. AIRDUCER® is a registered trademark of Airmar Technology Corporation. Other company or product names mentioned in this document may be trademarks or registered trademarks of their respective companies, which are not