

AT225

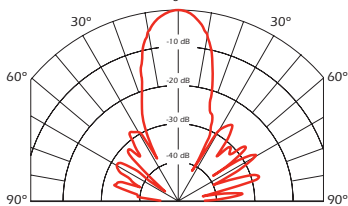


SPECIFICATIONS

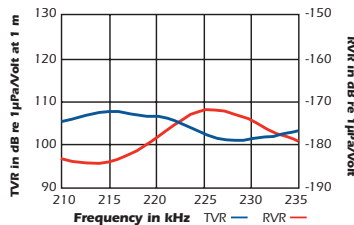
- Best Operating Frequency:** 228 kHz, $\pm 4\%$
- Minimum Transmit Sensitivity at Best Transmit Frequency:** 101 dB, 1 $\mu\text{Pa/V}$ at 1 m
- Minimum Receive Sensitivity at Best Receive Frequency:** -180 dB re 1V/ μPa
- Minimum Parallel Resistance:** 400 Ω , $\pm 30\%$
- Minimum and Maximum Sensing Range*:** 8 cm to 2.5 m
- Typical Sensing Range:** 10 cm to 1.5 m
- Free (1 kHz) Capacitance:** 450 pF, ± 100 pF
- Beamwidth (@ -3 dB Full Angle):** 15°, $\pm 2^\circ$
- Maximum Driving Voltage (2% Duty Cycle Tone Burst):** 500 V_{pp}
- Operating Temperature:** -40°C to 90°C
- Weight:** 4 g
- Housing Material:** Glass filled polyester
- Acoustic Window:** Glass reinforced epoxy

*Pulse-Echo Mode. Minimum and maximum ranges are best case scenarios. Actual range may vary depending on drive circuitry and signal processing.

Directivity Pattern



Transmit & Receive Voltage Response



Impedance Magnitude & Phase

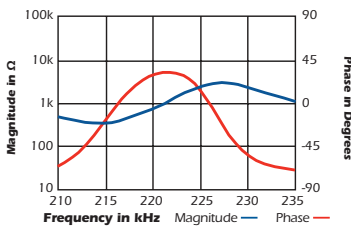
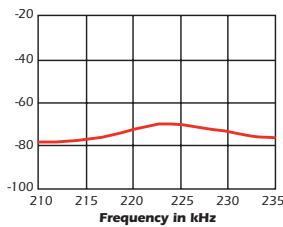


Figure of Merit (Sum of TVR & RVR)



228 kHz

AIRDUCER® Ultrasonic Transducer

Applications

- Level measurement
- Automation control
- Proximity
- Obstacle avoidance
- Robotics
- Flow

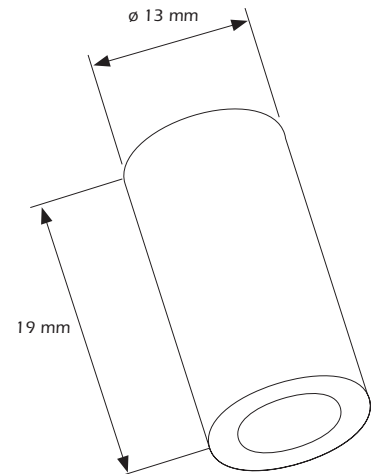
Features

- Rugged sealed construction
- Cylindrical design allows for installation in various applications

Options

- Optional circuit board mounting pins

Dimensions



©Airmar Technology Corporation

AT225_rF 04/13/09

As Airmar constantly improves its products, all specifications are subject to change without notice. All specifications typical at 22°C. AIRDUCER® is a registered trademark of Airmar Technology Corporation. Other company or product names mentioned in this document may be trademarks or registered trademarks of their respective companies, which are not