

Subminiature, Flush Diaphragm Pressure Transducers

Model S

150 TO 20,000 psi

FLUSH DIAPHRAGM

HIGH FREQUENCY



Model S

SENSOTEC provides a full line of subminiature pressure transducers to accurately measure pressure ranges from 150 psi to 20,000 psi. SENSOTEC's subminiature pressure transducers have a high natural frequency and utilize a flush diaphragm.

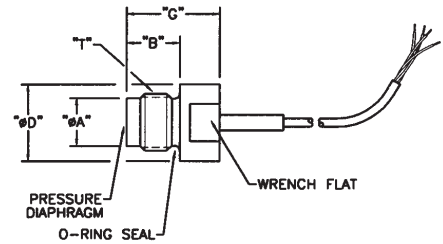
Temperature compensation is accomplished by using temperature sensitive components located inside the transducers. These transducers have a small electrical zero balance circuit board which is in the lead wire (approximately 1" X .087" thick). This balance board does not have to be the same temperature as the transducers. All units have four (4) active bonded strain gages arranged in a Wheatstone bridge configuration.

Dimensions

Model S

Available Pressure Ranges*

150; 200; 300; **500**; 750; **1000**;
1500; **2000**; **3000**; **5000**; 7500; **10,000**; 20,000 psi



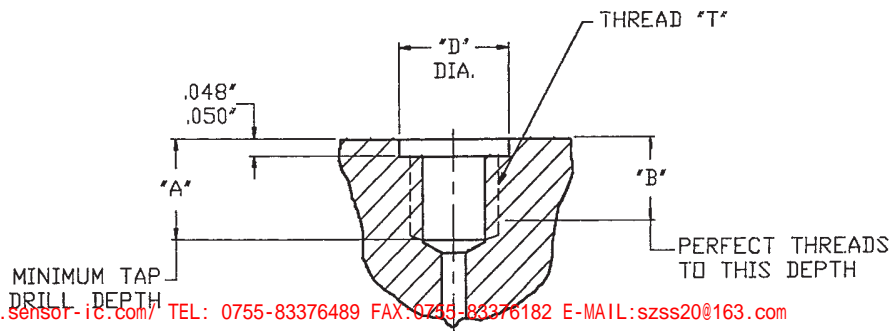
Order Code	"T" Thread	"A" Dia.	"D" Dia.	"B"	"G"	Diaphragm
BP357	3/8-24 UNF	.310	.50	.45	.69	Welded
BP358	7/16-20 UNF	.375	.56	.50	.75	Welded

*Stocked units (bold face print) available with 3/8- 24 UNF thread only. Consult factory for ranges below 150 psi.

Installation

SENSOTEC's standard "S" type transducers have straight threads and use an O-ring for pressure sealing. To get the best seal with the O-ring on the transducer, the tapped hole should have the dimensions shown below. For normal operating temperatures (-65° F to +250° F) use BUNA-N (black) O-rings. For high temperatures (250° F to 425° F) use silicone rubber (red).

"T"	"A"	"B"	"D" ^{+0.001} / _{-.002}	O-Ring	Max. Torque (For 17-4 PH only)
3/8 - 24 UNF	.47"	.30"	.445"	#11	300 In-lbs.
7/16 - 20 UNF	.54"	.36"	.504"	#12	500 In-lbs.



		Model S
PERFORMANCE	Pressure Ranges.....	150 to 20,000 psi (10 bar to 1350 bar)
	Non-Linearity and Hysteresis (max)	1.0% F.S.
	Non-repeatability (max)	+ /-0.1% F.S.
	Output (standard)	2mV/V
	Resolution	Infinite
ENVIRONMENTAL	Temperature, Operating.....	-65° to 300° F (-54° to 150° C)
	Temperature, Compensated	60° to 160° F (15° to 70° C)
	Temperature Effect	
	– Zero (max).....	.01% F.S./° F (0.018% F.S./° C)
	– Span (max).....	.02% Rdg./° F (0.036% Rdg./° C)
ELECTRICAL	Strain Gage Type	Bonded foil
	Excitation (calibration)	5VDC
	Bridge Resistance	350 ohms
	Wiring Code (std)	#1 (See Pg. AP-7)
	Electrical Termination (std).....	4 twisted leads (5 ft.)
MECHANICAL	Media.....	Gas, Liquid
	Overload-Safe	50% over capacity
	Wetted Parts Material.....	17-4 PH Stainless
	Type (Gage, Abs.).....	Gage
	Case Material	17-4 PH Stainless

Options (See Appendix)

Temperature compensated 1b, 1c

Premium Options: 1d, 1e, 1g, 1h, 1i

Custom threads, metric threads, underwater cable, microtech connector, special headers and 400° F (200° C) temperature are available on some models and ranges. Consult Sensotec. Consult Sensotec for 400° F temperature option.

Accessories: Mating connectors and connector/cable assemblies

General Information

How to order (See Pg. AP-19)

Gage/Absolute pressure selection flow chart (See Pg. PR-1)

SUNSTAR 商斯达实业集团是集研发、生产、工程、销售、代理经销、技术咨询、信息服务等为一体的高科技企业，是专业高科技电子产品生产厂家，是具有 10 多年历史的专业电子元器件供应商，是中国最早和最大的仓储式连锁规模经营大型综合电子零部件代理分销商之一，是一家专业代理和分销世界各大品牌 IC 芯片和电子元器件的连锁经营综合性国际公司，专业经营进口、国产名厂名牌电子元件，型号、种类齐全。在香港、北京、深圳、上海、西安、成都等全国主要电子市场设有直属分公司和产品展示展销窗口门市部专卖店及代理分销商，已在全国范围内建成强大统一的供货和代理分销网络。我们专业代理经销、开发生产电子元器件、集成电路、传感器、微波光电元器件、工控机/DOC/DOM 电子盘、专用电路、单片机开发、MCU/DSP/ARM/FPGA 软件硬件、二极管、三极管、模块等，是您可靠的一站式现货配套供应商、方案提供商、部件功能模块开发配套商。商斯达实业公司拥有庞大的资料库，有数位毕业于著名高校——有中国电子工业摇篮之称的西安电子科技大学（西军电）并长期从事国防尖端科技研究的高级工程师为您精挑细选、量身订做各种高科技电子元器件，并解决各种技术问题。

更多产品请看本公司产品专用销售网站：

商斯达中国传感器科技信息网：<http://www.sensor-ic.com/>

商斯达工控安防网：<http://www.pc-ps.net/>

商斯达电子元器件网：<http://www.sunstare.com/>

商斯达微波光电产品网：[HTTP://www.rfoe.net/](http://www.rfoe.net/)

商斯达消费电子产品网：<http://www.icasic.com/>

商斯达实业科技产品网：<http://www.sunstars.cn/>

传感器销售热线：

地址：深圳市福田区福华路福庆街鸿图大厦 1602 室

电话：0755-83370250 83376489 83376549 83607652 83370251 82500323

传真：0755-83376182 (0) 13902971329 MSN: SUNS8888@hotmail.com

邮编：518033 E-mail:szss20@163.com QQ: 195847376

深圳赛格展销部：深圳华强北路赛格电子市场 2583 号 电话：0755-83665529 25059422

技术支持：0755-83394033 13501568376

欢迎索取免费详细资料、设计指南和光盘；产品凡多，未能尽录，欢迎来电查询。

北京分公司：北京海淀区知春路 132 号中发电子大厦 3097 号

TEL: 010-81159046 82615020 13501189838 FAX: 010-62543996

上海分公司：上海市北京东路 668 号上海赛格电子市场 2B35 号

TEL: 021-28311762 56703037 13701955389 FAX: 021-56703037

西安分公司：西安高新开发区 20 所(中国电子科技集团导航技术研究所)

西安劳动南路 88 号电子商城二楼 D23 号

TEL: 029-81022619 13072977981 FAX:029-88789382