

Differential Digital Pressure Gauge

Model JD

Ranges 1 to 10,000 PSI Differential

Field Selectable Units of Measure

4-20 mA (2 wire) or 0-5 VDC Analog Outputs (Optional)

2 Programmable Limits and Relays (Optional)

High & Low Detection with Microprocessor Memory

The JD Differential Digital Pressure Test Gauge offers accurate and rugged NEMA rated construction with high line and over pressure protection as shown in the chart below:

PRESSURE RANGE	MAXIMUM LINE PRESSURE (PSI) (see note #1 below)	MAXIMUM SAFE OVER PRESSURE (PSI) (see note #2 below)	INCREMENTAL DISPLAY STEPS (PSI) Positive Only
0 - 1	1500	1500	.001
0 - 2	1500	1500	.001
0 - 5	1500	1500	.005
0 - 10	1500	1500	.01
0 - 15	1500	1500	.01
0 - 25	1500	1500	.02
0 - 50	1500	1500	.05
0 - 75	1500	1500	.05
0 - 100	1500	1500	.1
0 - 150	1500	1500	.1
0 - 200	1500	1500	.1
0 - 300	1500	1500	.2
0 - 500	1500	1500	.5
0 - 750	1500	1500	.5
0 - 1000	1500	1500	1
0 - 1500	3500	2250	1
0 - 2000	4000	3000	1
0 - 3000	5000	4500	2
0 - 5000	7000	7000	5
0 - 7500	9500	9500	5
0 - 10000	12000	12000	5

- (1) Maximum line pressure is the amount of pressure that can be placed on both sides of the diaphragm.
- (2) Maximum Safe differential pressure is the differential pressure which the unit can experience occasionally without loss of accuracy or permanent damage.



- Accuracy 0.2% Full Scale
- NEMA 4 (optional)
- NIST STATEMENT
- On/Off Switch with Auto Off Feature

Distributed By:

DCT Instruments

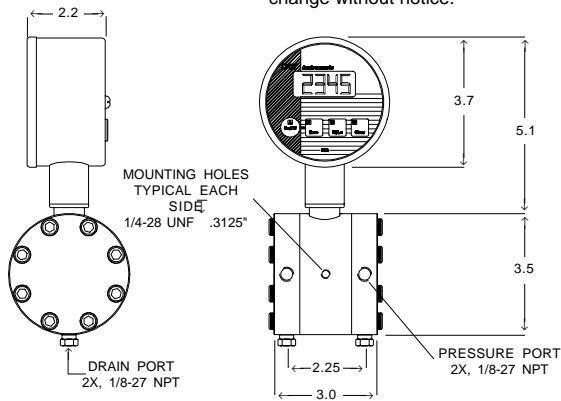
DCT Instruments/Sensotec
2080 Arlingate Lane
Columbus, Ohio 43228
www.dctinstruments.com

TEL 614-850-6020
FAX 614-850-1111
1-800-328-1028
Email: dct@sensotec.com

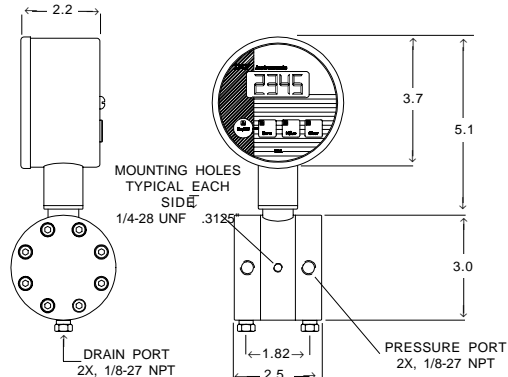
DIMENSIONS

Read this technical drawing before designing mountings or fixtures. Specifications subject to change without notice. SUNSTAR Instruments, Inc. http://www.sensor-ic.com/ TEL: (755) 833 6489 FAX: (755) 833 6182 E-MAIL: sales@sensoric.com

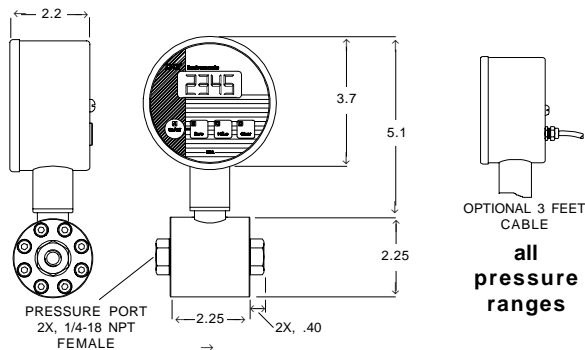
1 TO 25 PSID



50 TO 750 PSID



1000 TO 10000 PSID



SPECIFICATIONS

Rating:	NEMA 2 (Optional NEMA 4)
Linearity & Hysteresis:	0.2% FS (Better than Test Gauge Accuracy)
Operating Temperature:	30 to 160 deg F
Pressure Ranges (PSID):	1, 2, 5, 10, 15, 25, 50, 75, 100, 150, 200, 300, 500, 750, 1000, 1500, 2000, 3000, 5000, 7500, 10000
Display:	4 1/2 LCD digits - 0.5 inches high
Pressure Port:	1/8-27 NPT female on ranges to 750 PSID 1/4-18NPT female on ranges 1000 PSID and above
Electrical Connection:	3foot cable (std) Models JDB, JDE, JDR, JDX, JDV
Wetted Surfaces:	Stainless steel
O-Ring Seal:	1 to 750 PSID Viton 1000 to 10000 PSID Teflon coated stainless steel
Housing:	Stainless steel
High & Low Capture:	Standard
Update Speed:	3 times per second
Zero & Span Signal Adjustment:	Standard on JDB, JDE, JDX
Face Membrane:	Tactile Feedback Raised Buttons
Calibration Data:	Stored on Memory Chip
Low Battery Indication:	Standard on Model JDW
Limits & Relays:	Model JDR & JDX

ORDERING INFORMATION

ORDER CODE

* = Example

SERIES

JD*

MODEL DESIGNATION

Models with Output Signal

B = 4-20 mA (2 wire)

E = 0-5 VDC

R = 2 Programmable Limits & Relays

X = 0-5 VDC with 2 Limits & Relays

Models with No Output Signal

W = Battery powered (9 volt alkaline)*

T = 110 Volts AC adapter (included)

V = 11 to 32 VDC (3 ft. cable)

PRESSURE RANGE (PSID)

1 = 0-1	75 = 0-75	1K = 0-1000
2 = 0-2	100 = 0-100	1.5K = 0-1500
5 = 0-5*	150 = 0-150	2K = 0-2000
10 = 0-10	200 = 0-200	3K = 0-3000
15 = 0-15	300 = 0-300	5K = 0-5000
25 = 0-25	500 = 0-500	7.5K = 0-7500
50 = 0-50	750 = 0-750	10K = 0-10000

REFERENCE

D= Differential unit scaled from 0 PSI to positive full scale value on the positive pressure side.*

Bi-directional scaling is available as an option.

Please consult the factory.

ELECTRICAL CONNECTION

Z = No electrical connection (Model JDW - 9 volt battery)*

C = 3 foot cable (Models JDB, JDE, JDR, JDX & JDV)

T = AC adapter (Model JDT)

B = Bendix (opt) PTIH-10-6P or equal (connector sold separately)

Call factory for availability of other electrical connections and cable lengths.

NEMA 4 CONSTRUCTION

4 = NEMA 4 (not available on Model JDT)

FIELDSELECTABLE STANDARD UNITS OF MEASURE

Bar = Bar	Ft H2O = Feet of water
MBar = Millibar	In H2O = Inches of water
kPa = Kilopascals	In Hg = Inches of mercury
MPa = Megapascals	mmHg = Millimeters of mercury

Consult factory for other units of measure not listed

POWER SPECIFICATIONS

Model JDW:	One or two 9 volt alkaline batteries
Model JDT:	110 volt AC adapter @ 60 Hz (included)
Model JDV:	11 to 32 VDC @ 100 mA (3 ft. cable included)
Model JDB:	11 to 32VDC (depending on loop resistance) @ 20mA
Model JDE:	11 to 32 VDC @ 100 mA
Model JDR:	11 to 32 VDC @ 100 mA
Model JDX:	11 to 32 VDC @ 100 mA

(The limit/relay models include 2 LED status indicators on front face and 2 form C relays (normally open, common, normally closed) that are rated at a maximum 24 VDC/AC at 1 AMP or 48 VDC/AC at 1/2 AMP).

ACCESSORIES

PRESSURE ADAPTER (Zinc Plated Steel) (some adapters available in stainless steel - consult factory)

1/8-27 NPTM by 1/4-18 NPTF	AD12
1/4-18 NPTM by 1/4-18 NPTM	AD5
1/4-18 NPTM by 7/16-20 UNF F	AD2
1/4-18 NPTM by 7/16-20 UNFM	AD3

NIST CERTIFICATION (in addition to NIST STATEMENT)

NISTCERTS

SUNSTAR 商斯达实业集团是集研发、生产、工程、销售、代理经销、技术咨询、信息服务等为一体的高科技企业，是专业高科技电子产品生产厂家，是具有 10 多年历史的专业电子元器件供应商，是中国最早和最大的仓储式连锁规模经营大型综合电子零部件代理分销商之一，是一家专业代理和分销世界各大品牌 IC 芯片和电子元器件的连锁经营综合性国际公司，专业经营进口、国产名厂名牌电子元件，型号、种类齐全。在香港、北京、深圳、上海、西安、成都等全国主要电子市场设有直属分公司和产品展示展销窗口门市部专卖店及代理分销商，已在全国范围内建成强大统一的供货和代理分销网络。我们专业代理经销、开发生产电子元器件、集成电路、传感器、微波光电元器件、工控机/DOC/DOM 电子盘、专用电路、单片机开发、MCU/DSP/ARM/FPGA 软件硬件、二极管、三极管、模块等，是您可靠的一站式现货配套供应商、方案提供商、部件功能模块开发配套商。商斯达实业公司拥有庞大的资料库，有数位毕业于著名高校——有中国电子工业摇篮之称的西安电子科技大学（西军电）并长期从事国防尖端科技研究的高级工程师为您精挑细选、量身订做各种高科技电子元器件，并解决各种技术问题。

更多产品请看本公司产品专用销售网站：

商斯达中国传感器科技信息网：<http://www.sensor-ic.com/>

商斯达工控安防网：<http://www.pc-ps.net/>

商斯达电子元器件网：<http://www.sunstare.com/>

商斯达微波光电产品网：[HTTP://www.rfoe.net/](http://www.rfoe.net/)

商斯达消费电子产品网：<http://www.icasic.com/>

商斯达实业科技产品网：<http://www.sunstars.cn/>

传感器销售热线：

地址：深圳市福田区福华路福庆街鸿图大厦 1602 室

电话：0755-83370250 83376489 83376549 83607652 83370251 82500323

传真：0755-83376182 (0) 13902971329 MSN: SUNS8888@hotmail.com

邮编：518033 E-mail:szss20@163.com QQ: 195847376

深圳赛格展销部：深圳华强北路赛格电子市场 2583 号 电话：0755-83665529 25059422

技术支持：0755-83394033 13501568376

欢迎索取免费详细资料、设计指南和光盘；产品凡多，未能尽录，欢迎来电查询。

北京分公司：北京海淀区知春路 132 号中发电子大厦 3097 号

TEL: 010-81159046 82615020 13501189838 FAX: 010-62543996

上海分公司：上海市北京东路 668 号上海赛格电子市场 2B35 号

TEL: 021-28311762 56703037 13701955389 FAX: 021-56703037

西安分公司：西安高新开发区 20 所(中国电子科技集团导航技术研究所)

西安劳动南路 88 号电子商城二楼 D23 号

TEL: 029-81022619 13072977981 FAX:029-88789382