

High Accuracy Digital Pressure Gauge

Model JA

4-20 mA (2 wire) and 0-5 VDC Analog Outputs

2 Programmable Limits and Relays (Optional)

High Accuracy - 0.1% Full Scale

High & Low Detection - Microprocessor Based

Ranges to 10,000 PSI - Gage or Absolute

The Series JA Digital Pressure Test Gauge with 0.1% full scale accuracy uses transducer technology and a stainless steel diaphragm for high over pressure protection. The transducer technology provides high accuracy over the entire pressure range. The JA has no moving parts and thus, ensures long life with fewer re-calibrations. The stainless steel NEMA construction also provides EMI and RFI protection.

The JA provides high resolution with an easy to read digital display. There are no operator errors due to interpolation of hash marks or parallax errors.

The Model JAB provides a 4-20 mA, 2 wire output. The Model JAE provides a 0-5 VDC output. The Model JAR has 2 programmable limits and relays with no analog output. The Model JAX provides a 0-5 VDC output with 2 programmable limits and relays for process control or alarm indication.

The Model JAW is powered by one or two common 9-volt alkaline batteries. The Model JAT is powered by a 110 VAC adapter. The Model JAV is powered by an 11 to 32 VDC power supply.

Each unit has a membrane face with raised buttons and tactile feedback for setup and operation. The High, Low, and Clear buttons are easily accessible on this front membrane. Zero adjustment and zero offset/tare functions are standard on each unit. Calibration and setup parameters are stored on a memory chip to protect from loss even when power is interrupted. Unauthorized set ups and calibrations are also blocked with internal security. Various combinations of the front panel buttons can be de-activated. Please consult factory.

The Model JA has an on/off switch that can be operated in three different modes. In the first mode, the unit is turned on and off manually. In the second mode, the unit is set to remain on continuously, i.e., the unit cannot be turned off. In the third mode, the unit is turned on and off manually, and the unit also has an automatic shut off if the Hi/Lo button is not pushed after four minutes.



Series JA

Made in the U.S.A.

- Customer Recalibration
- Zero Offset/Tare
- On/off Switch Disable Feature
- 2 Programmable Limits and Relays (Optional)
- NEMA 4 Rating (Optional)
- NIST STATEMENT

Distributed By:

DCT Instruments

DCT Instruments/Sensotec
2080 Arlington Lane
Columbus, Ohio 43228
www.dctinstruments.com

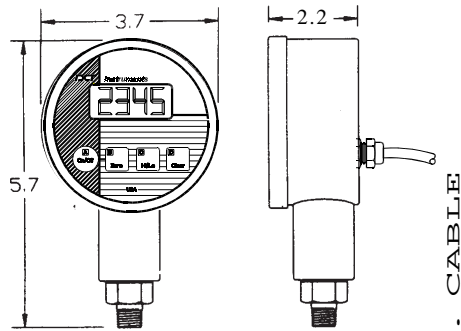
TEL 614-850-6020
FAX 614-850-1111
1-800-328-1028

Email: dct@sensotec.com

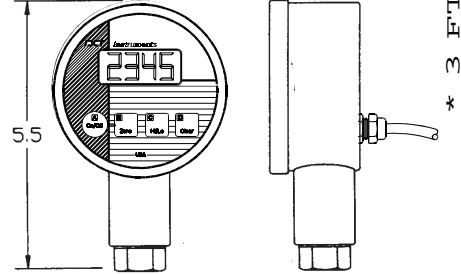
DIMENSIONS

SUNSTAR传感与控制 <http://www.sensor-ic.com/> TEL: (755) 83376182 FAX: (755) 83376182 E-MAIL: szss20@163.com

1/4 - 18 NPT Male
For Pressure Ranges
200 psi and below



9/16 - 18 UNF - 2B
Female Straight
Thread with
SAE Spec J514
O-Ring Boss
For Pressure Ranges
500 PSI and
above



* 3 FT. CABLE

* Models JAB, JAE, JAR, JAX, JAV
No cable for battery powered Model JAW

Request certified drawing before designing mountings or fixtures.
Specifications subject to change without notice.

ACCESSORIES

	ORDER CODE	
PRESSURE ADAPTER (Zinc Plated Steel) (Stainless steel available)	1 to 200	500 to 5,000
	PSI Units	PSI Units
	To 1/4 - 18 NPT Female	AD13 AD6
	To 1/4 - 18 NPT Male	-- AD7
To 7/16 - 20 UNF - Male with 37 deg flare	AD15	AD9
CARRYING CASE	CC2	CC2
PANEL MOUNTING RING	MR2	MR2
NIST CERTIFICATION (In addition to NIST STATEMENT)	NISTCERTS	NISTCERTS

SPECIFICATIONS

Rating:	NEMA 2 (Optional NEMA 4)
Diameter:	3.7 inches
Linearity & Hysteresis:	0.1% FS (Better than Test Gauge Accuracy)
Operating Temperature:	30 to 160 deg F
Pressure Range 0 to:	10,20,50,100,200,500,1000,2000,5000, 10000 PSI
Display:	4 1/2 LCD Digits - 0.5 inches high
Pressure Port:	1/4-18 NPT male for 10 to 200 PSI 9/16-18 UNF 2B female straight thread with SAE Spec J514 O-ring boss (500 PSI and above)
Power:	Model JAW: One or two 9-volt alkaline batteries (included) Model JAT: 110 Volt AC adapter @ 60 Hz (included) Model JAV: 11 to 32 VDC @ 100 mA (3 ft. cable included) Model JAB: 11 to 32 VDC (depending on loop resistance)@20 mA Model JAE: 11 to 32 VDC @ 100 mA Model JAR: 11 to 32 VDC @ 100 mA Model JAX: 11 to 32 VDC @ 100 mA
Electrical Connection:	3 foot cable (std) Models JAB, JAE, JAR, JAX, JAV
Wetted Parts:	Stainless steel
Case Material:	Stainless steel
High & Low Capture:	Standard
Update Speed:	3 times per second
Zero & Span Signal Adjustment:	Standard on Models JAB, JAE, JAX
Face Membrane:	Tactile Feedback Raised Buttons
Calibration Data:	Stored on Memory Chip
Low Battery Indication:	standard on Model JAW
Limits & Relays:	Model JAR & JAX

[The limit/relay models include 2 LED status indicators on front face and 2 form C relays (normally open, common, normally closed) that are rated at a maximum 24 VDC/AC at 1 AMP or 48 VDC/AC at 1/2 AMP]

ORDERING INFORMATION

ORDER CODE	JA	W	1K	G	Z	()
* = Example						
SERIES	_____					
JA = High Accuracy 0.1% Full scale*						
MODEL DESIGNATION	_____					
Models with Output Signal						
B = 4-20 mA (2 wire)						
E = 0-5 VDC						
R = 2 Programmable Limits & Relays						
X = 0-5 VDC with 2 Limits & Relays						
Models with No Output Signal						
W = Battery powered (9 volt alkaline) *						
T = 110 Volt AC adapter (included)						
V = 11 to 32 VDC (3 ft. cable)						
PRESSURERANGE (PSI)	_____					
0-10 = 10	0-200 = 200	0-5000 = 5K				
0-20 = 20	0-500 = 500	0-10000 = 10K				
0-50 = 50	0-1000 = 1K*					
0-100 = 100	0-2000 = 2000					

REFERENCE
G = Gage (std) reads zero at atmosphere*
A = Absolute (opt) reads zero at vacuum(15 psi or higher)

ELECTRICAL CONNECTION

Z = No electrical connection (model JAW - 9 volt battery)*
C = 3 foot cable
T = AC adapter (Model JAT)
B = Bendix (opt) PTIH-10-6P or equal (connector sold separately)

Call Factory for availability of other electrical connections and cable lengths.

The following order code is used ONLY if you want this option.

NEMA 4 CONSTRUCTION

4 = NEMA 4 (not available on Model JAT)

FIELD SELECTABLE STANDARD UNITS OF MEASURE

Bar = Bar
MBar = Millibar
kPa = Kilopascals
MPa = Megapascals
Ft H2O = Feet of water
In H2O = Inches of water
In Hg = Inches of mercury
mmHg = Millimeters of mercury
Consult factory for other units of measure not listed

PRESSURE RANGE (PSI)	MAXIMUM SAFE OVER PRESSURE (PSI) See note (1) Below	INCREMENTAL DISPLAY STEPS
0-10 = 10	50	.01
0-20 = 20	100	.01
0-50 = 50	250	.05
0-100 = 100	500	.1
0-200 = 200	1000	.1
0-500 = 500	1500	.5
0-1,000 = 1K	2000	1
0-2,000 = 2K	4000	1
0-5,000 = 5K	7500	5
0-10,000 = 10K	15,000	5

(1) Maximum Safe Overpressure is the pressure which the unit can experience occasionally without loss of accuracy or permanent damage.

SUNSTAR 商斯达实业集团是集研发、生产、工程、销售、代理经销、技术咨询、信息服务等为一体的高科技企业，是专业高科技电子产品生产厂家，是具有 10 多年历史的专业电子元器件供应商，是中国最早和最大的仓储式连锁规模经营大型综合电子零部件代理分销商之一，是一家专业代理和分销世界各大品牌 IC 芯片和电子元器件的连锁经营综合性国际公司，专业经营进口、国产名厂名牌电子元件，型号、种类齐全。在香港、北京、深圳、上海、西安、成都等全国主要电子市场设有直属分公司和产品展示展销窗口门市部专卖店及代理分销商，已在全国范围内建成强大统一的供货和代理分销网络。我们专业代理经销、开发生产电子元器件、集成电路、传感器、微波光电元器件、工控机/DOC/DOM 电子盘、专用电路、单片机开发、MCU/DSP/ARM/FPGA 软件硬件、二极管、三极管、模块等，是您可靠的一站式现货配套供应商、方案提供商、部件功能模块开发配套商。商斯达实业公司拥有庞大的资料库，有数位毕业于著名高校——有中国电子工业摇篮之称的西安电子科技大学（西军电）并长期从事国防尖端科技研究的高级工程师为您精挑细选、量身订做各种高科技电子元器件，并解决各种技术问题。

更多产品请看本公司产品专用销售网站：

商斯达中国传感器科技信息网：<http://www.sensor-ic.com/>

商斯达工控安防网：<http://www.pc-ps.net/>

商斯达电子元器件网：<http://www.sunstare.com/>

商斯达微波光电产品网：[HTTP://www.rfoe.net/](http://www.rfoe.net/)

商斯达消费电子产品网：<http://www.icasic.com/>

商斯达实业科技产品网：<http://www.sunstars.cn/>

传感器销售热线：

地址：深圳市福田区福华路福庆街鸿图大厦 1602 室

电话：0755-83370250 83376489 83376549 83607652 83370251 82500323

传真：0755-83376182 (0) 13902971329 MSN: SUNS8888@hotmail.com

邮编：518033 E-mail:szss20@163.com QQ: 195847376

深圳赛格展销部：深圳华强北路赛格电子市场 2583 号 电话：0755-83665529 25059422

技术支持：0755-83394033 13501568376

欢迎索取免费详细资料、设计指南和光盘；产品凡多，未能尽录，欢迎来电查询。

北京分公司：北京海淀区知春路 132 号中发电子大厦 3097 号

TEL: 010-81159046 82615020 13501189838 FAX: 010-62543996

上海分公司：上海市北京东路 668 号上海赛格电子市场 2B35 号

TEL: 021-28311762 56703037 13701955389 FAX: 021-56703037

西安分公司：西安高新开发区 20 所(中国电子科技集团导航技术研究所)

西安劳动南路 88 号电子商城二楼 D23 号

TEL: 029-81022619 13072977981 FAX:029-88789382