

Intrinsically Safe Pressure Gauge Model AI

High Accuracy: 0.05% Full Scale

 Factory Mutual Approved

Ranges to 10,000 PSI - Gage, Absolute, Vacuum or Compound

- Stainless Steel Construction
- On/Off Switch
- CE Compliant
- 9 Volt Battery Power
- High/Low Capture & Store
- 4 1/2 Digit Display
- Additional Information at www.dctinstruments.com/aidata.htm

As an in-process gauge or portable calibrator, the hand-held Model AI delivers long-lasting, high accuracy performance. Accuracy of 0.05% coupled with an enhanced resolution, 4 1/2 digit display makes this unit an excellent transfer standard for calibrating pressure measuring equipment.

The AI is rugged and features High/Low pressure capture with a field-adjustable update rate from three to 10 times per second. These units are manufactured from stainless steel and use reliable sensor technology which has no moving parts, requires little recalibration and has excellent over-pressure tolerance. NEMA 4 construction provides EMI and RFI protection.

Units of measure are field-selectable and the unit is offered with gage, absolute, vacuum, or compound reference.



The DCT Series AI Digital Gauges have the following complete Factory Mutual Approved Classifications:

Class I: gases and vapor	Division 1: present or likely to be present in normal operation	Group A: Acetylene
Class II: combustible dust	Division 2: not present in normal operation	Group B: Hydrogen
Class III: fibers		Group C: Acetaldehyde, Ethylene, Methyl Ether
		Group D: Acetone, Gasoline, Methanol, Propane
		Group E: Metal Dust
		Group F: Carbon Dust
		Group G: Grain Dust

Intrinsically safe systems limit the thermal and electrical energy to the hazardous area to prevent ignition.

Distributed By:

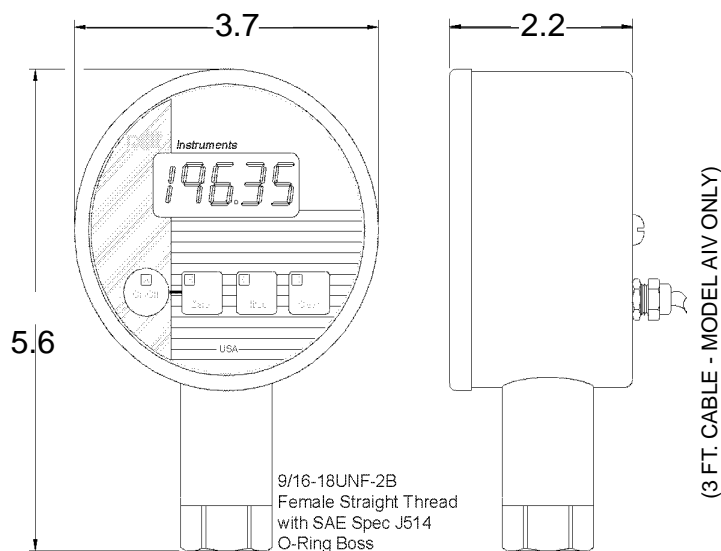
DCT Instruments

DCT Instruments/Sensotec, Inc.
2080 Arlingate Lane
Columbus, Ohio 43228

1-800-328-1028
Tel: 614-850-6020
Fax: 614-850-1111

DIMENSIONS

SUNSTAR传感与控制 <http://www.sensor-ic.com/> TEL:0755-83376489 FAX:0755-83376182 E-MAIL:szss20@163.com



Request drawing before designing mountings or fixtures.
Specifications subject to change without notice.

ACCESSORIES

PRESSURE ADAPTER

- To 1/4 - 18 NPT Female
- To 1/4 - 18 NPT Male
- To 7/16 - 20 UNF - Male with 37 deg flare
(Call factory for other fittings)

CARRYING CASE

PANEL MOUNTING RING

NIST CERTIFICATION

(In addition to NIST STATEMENT)

ORDER CODE

Zinc Plated Stainless

Steel	Steel
AD6	SS6
AD7	SS7
AD9	SS9

CC2

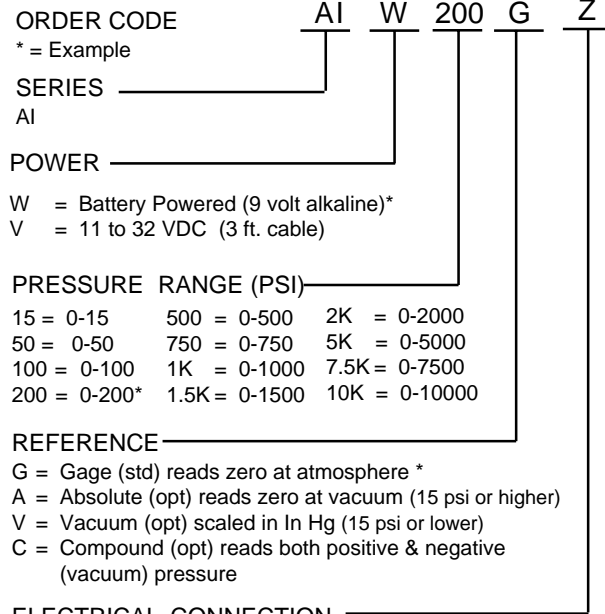
MR2

NISTCERTS

SPECIFICATIONS

Accuracy:	0.05% of FS BFSL
Diameter:	3.7 inches
Rating:	NEMA 4(Also provides temperature range of 0-180°F)
Operating Temperature:	Standard: 30-160°F Optional: 0-180°F
Pressure Range 0 to:	15, 50, 100, 200, 500, 750, 1000, 1500, 2000, 5000, 7500, 10000 PSI
Display:	4 1/2 LCD Digits - 0.5 inches high
Pressure Port:	9/16-18 UNF - 2B - Female straight thread with SAE Spec J514 O-ring boss
Power:	Model AIW: One or two 9 volt alkaline batteries (included) Model AIW: 11 to 32 VDC @ 100 mA (3 ft. cable included)
Wetted Parts:	Stainless steel
Case Material:	Stainless steel
Low Battery Indication:	Standard
High & Low Capture:	Standard
Update Speed:	adjustable from 3 to 10 per second
Face Membrane:	Tactile Feedback Raised Buttons
Calibration Data:	Stored on Memory Chip

ORDERING INFORMATION



W = Battery Powered (9 volt alkaline)*
V = 11 to 32 VDC (3 ft. cable)

REFERENCE
G = Gage (std) reads zero at atmosphere *
A = Absolute (opt) reads zero at vacuum (15 psi or higher)
V = Vacuum (opt) scaled in In Hg (15 psi or lower)
C = Compound (opt) reads both positive & negative (vacuum) pressure

ELECTRICAL CONNECTION

Z = No electrical connection (Model AIW - 9 volt battery)*
C = 3 foot cable (Model AIW)
Call factory for availability of other electrical connections and cable lengths.

FIELD SELECTABLE STANDARD UNITS OF MEASURE

Each gauge has the following scaling built in for field selection:

Bar = Bar	Ft H2O = Feet of water
mBar = Millibar	In H2O = Inches of water
kPa = Kilopascals	In Hg = Inches of mercury
MPa = Megapascals	mmHg = Millimeters of mercury

Consult factory for other units of measure not listed

PRESSURE RANGE (PSI)	MAXIMUM SAFE OVER PRESSURE (PSI) See note (1) Below	INCREMENTAL DISPLAY STEPS
0 - 15 = 15	75	.005
0 - 50 = 50	250	.01
0 - 100 = 100	500	.02
0 - 200 = 200	1,000	.05
0 - 500 = 500	1,500	.1
0 - 750 = 750	1,500	.2
0 - 1,000 = 1K	2,000	.2
0 - 1,500 = 1.5K	3,000	.5
0 - 2,000 = 2K	4,000	.5
0 - 5,000 = 5K	7,500	1
0 - 7,500 = 7.5K	12,000	2
0 - 10,000 = 10K	15,000	2

(1) Maximum Safe Overpressure is the pressure which the unit can experience occasionally without loss of accuracy or permanent damage.



A Product of Sensotec®

E-mail: dct@sensotec.com

www.dctinstrument.com

©Copyright 2000 DCT Instruments

AI09005.0

SUNSTAR 商斯达实业集团是集研发、生产、工程、销售、代理经销、技术咨询、信息服务等为一体的高科技企业，是专业高科技电子产品生产厂家，是具有 10 多年历史的专业电子元器件供应商，是中国最早和最大的仓储式连锁规模经营大型综合电子零部件代理分销商之一，是一家专业代理和分销世界各大品牌 IC 芯片和电子元器件的连锁经营综合性国际公司，专业经营进口、国产名厂名牌电子元件，型号、种类齐全。在香港、北京、深圳、上海、西安、成都等全国主要电子市场设有直属分公司和产品展示展销窗口门市部专卖店及代理分销商，已在全国范围内建成强大统一的供货和代理分销网络。我们专业代理经销、开发生产电子元器件、集成电路、传感器、微波光电元器件、工控机/DOC/DOM 电子盘、专用电路、单片机开发、MCU/DSP/ARM/FPGA 软件硬件、二极管、三极管、模块等，是您可靠的一站式现货配套供应商、方案提供商、部件功能模块开发配套商。商斯达实业公司拥有庞大的资料库，有数位毕业于著名高校——有中国电子工业摇篮之称的西安电子科技大学（西军电）并长期从事国防尖端科技研究的高级工程师为您精挑细选、量身订做各种高科技电子元器件，并解决各种技术问题。

更多产品请看本公司产品专用销售网站：

商斯达中国传感器科技信息网：<http://www.sensor-ic.com/>

商斯达工控安防网：<http://www.pc-ps.net/>

商斯达电子元器件网：<http://www.sunstare.com/>

商斯达微波光电产品网：[HTTP://www.rfoe.net/](http://www.rfoe.net/)

商斯达消费电子产品网：<http://www.icasic.com/>

商斯达实业科技产品网：<http://www.sunstars.cn/>

传感器销售热线：

地址：深圳市福田区福华路福庆街鸿图大厦 1602 室

电话：0755-83370250 83376489 83376549 83607652 83370251 82500323

传真：0755-83376182 (0) 13902971329 MSN: SUNS8888@hotmail.com

邮编：518033 E-mail:szss20@163.com QQ: 195847376

深圳赛格展销部：深圳华强北路赛格电子市场 2583 号 电话：0755-83665529 25059422

技术支持：0755-83394033 13501568376

欢迎索取免费详细资料、设计指南和光盘；产品凡多，未能尽录，欢迎来电查询。

北京分公司：北京海淀区知春路 132 号中发电子大厦 3097 号

TEL: 010-81159046 82615020 13501189838 FAX: 010-62543996

上海分公司：上海市北京东路 668 号上海赛格电子市场 2B35 号

TEL: 021-28311762 56703037 13701955389 FAX: 021-56703037

西安分公司：西安高新开发区 20 所(中国电子科技集团导航技术研究所)

西安劳动南路 88 号电子商城二楼 D23 号

TEL: 029-81022619 13072977981 FAX:029-88789382