

Portable Pressure Calibrators Models AC & JC

0.2% and 0.05% Full Scale Accuracy

Field Selectable Engineering Units

High & Low And Peak Memory Function

- **Wetted Stainless Steel Construction**
- **High Over Pressure Protection**
- **EMI and RFI Shielding for All Types of Industrial Environments**
- **NIST Traceable**
- **NEMA Rated for Harsh Environments**
- **CE Compliant**
- **Additional Information at:**
www.dctinstruments.com/acdata.htm

Constructed with stainless steel wetted parts, and totally portable, the JC and AC Series Portable Pressure Calibrators can handle many rugged applications and harsh environments. The circuitry is designed to withstand dropping and is immune to electromagnetic interference. The calibrators are fully battery powered (9 Volt) so they are easily transportable from site to site.

This versatile pressure calibrator is available in two accuracies; JC Series with 0.2% accuracy and AC Series with 0.05% accuracy. The calibrators have a 4¹/₂ digit display for accurate and easy readings. The High/Low feature captures and holds both the highest and lowest pressure reading. (Press Clear or Off to reset.) Operating temperatures are from 0°F to 180°F.

Set Includes: Digital gauge
Carrying case
NIST certificate
Pressure adapter



Available with standard industrial or all-weather, waterproof carrying case.

**Portable Pressure Calibrators
Are Ideal For Factory or Field
Applications.**

Distributed By:

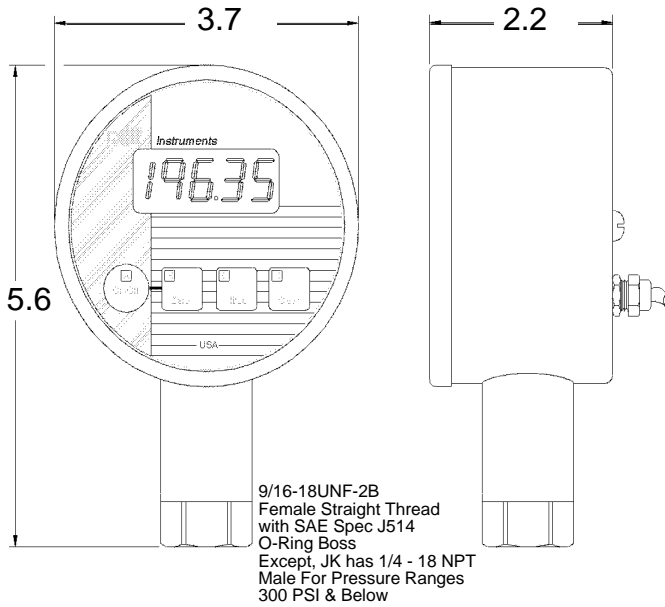
DCT Instruments

DCT Instruments/Sensotec, Inc.
2080 Arlingate Lane
Columbus, Ohio 43228
www.dctinstruments.com

1-800-328-1028
Tel: 614-850-6020
Fax: 614-850-1111

e-mail: dct@sensotec.com

DIMENSIONS



3 FT. CABLE - MODEL AKV ONLY

Request certified drawing before designing mountings or fixtures. Specifications subject to change without notice.

ACCESSORIES

PRESSURE ADAPTER

- To 1/4 - 18 NPT Female
- To 1/4 - 18 NPT Male
- To 7/16 - 20 UNF - Male with 37 deg flare
(Call factory for other fittings)

PANEL MOUNTING RING

NIST CERTIFICATION

(In addition to NIST STATEMENT)

STANDARD CARRYING CASE

Size 3 9/16D x 7 13/16W x 8 1/2L

ALL-WEATHER, WATERPROOF CARRYING CASE

- 4 1/2D x 7 3/4W x 9 1/4L (one unit)
- 5D x 9 3/4W x 10 3/4L (two units)

ORDER CODE

	Zinc Plated Steel	Stainless Steel
To 1/4 - 18 NPT Female	AD6	SS6
To 1/4 - 18 NPT Male	AD7	SS7
To 7/16 - 20 UNF - Male with 37 deg flare	AD9	SS9

MR2
NISTCERTS

CC2

CC3
CC4

SPECIFICATIONS

Accuracy:	0.05% of FS for AC Series 0.2% of FS for JC Series
Operating Temperature:	Standard: 30-160°F Optional: 0-180°F (NEMA 4 option required) ^{AK Only}
Display:	AC: 4 1/2 LCD Digits - 0.5 inches high JC: 4 LCD Digits - 0.5 inches high
Wetted Parts:	Stainless steel
Case Material:	Stainless steel
High & Low Capture:	Standard
Calibration Data:	Stored on Memory Chip

ORDERING INFORMATION

ORDER CODE *Sample*

JC W 200 G Z ()

* = Example

• = Available on JC only

SERIES

• JC* = 0.2%

AC = 0.05%

POWER

W = Battery Powered (9 volt alkaline)*

T = 110 Volts AC adapter (included)

V = 11 to 32 VDC (3 ft. cable)

PRESSURE RANGE (PSI)^{Standard}

1 = 0-1 (opt)•	200 = 0-200*	2K = 0-2000
5 = 0-5 (opt)•	300 = 0-300•	3K = 0-3000•
15 = 0-15	500 = 0-500	5K = 0-5000
30 = 0-30•	750 = 0-750	7.5K = 0-7500
50 = 0-50	1K = 0-1000	10K = 0-10000
100 = 0-100	1.5K = 0-1500	

REFERENCE

G= Gage (std) reads zero at atmosphere *

A= Absolute (opt) reads zero at vacuum (15 psi or higher)

V= Vacuum (opt) scaled in In Hg (15 psi or lower)

C= Compound (opt) reads both positive & negative (vacuum) pressure

ELECTRICAL CONNECTION

Z = No electrical connection (Model JCW - 9 volt battery)*

C = 3 foot cable (Model JCV)

T = AC adapter (Model JCT)

Call factory for availability of other electrical connections and cable lengths.

The following order codes are used ONLY if you want these options.

OPTIONAL

OPTIONAL UNITS OF MEASURE

(AC is Front Panel Field Selectable, JC is Factory Set)

Ft H2O = Feet of water	Bar = Bar
In H2O = Inches of water	mmHg = Millimeters of mercury
In Hg = Inches of mercury	kPa = Kilopascals

Consult factory for other units of measure not listed

Note: PSI is standard

NEMA 4 CONSTRUCTION

4 = NEMA 4 (not available on Model JCT or ACT)

PRESSURE RANGE (PSI)	MAXIMUM SAFE OVER PRESSURE (PSI) See note (1) Below	INCREMENTAL DISPLAY STEPS	
		Model JC	Model AC
0 - 1 = 1 (opt)	10	.001	—
0 - 5 = 5 (opt)	25	.005	—
0 - 15 = 15	75	.01	.005
0 - 30 = 30	150	.02	—
0 - 50 = 50	250	.05	.01
0 - 100 = 100	500	.1	.02
0 - 200 = 200	1,000	.1	.05
0 - 300 = 300	1,200	.2	—
0 - 500 = 500	1,500	.5	.1
0 - 750 = 750	1,500	.5	.2
0 - 1,000 = 1K	2,000	1	.2
0 - 1,500 = 1.5K	3,000	1	.5
0 - 2,000 = 2K	4,000	1	.5
0 - 3,000 = 3K	6,000	2	—
0 - 5,000 = 5K	7,500	5	1
0 - 7,500 = 7.5K	12,000	5	2
0 - 10,000 = 10K	15,000	5	2

(1) Maximum Safe Overpressure is the pressure which the unit can experience occasionally without loss of accuracy or permanent damage.

SUNSTAR 商斯达实业集团是集研发、生产、工程、销售、代理经销、技术咨询、信息服务等为一体的高科技企业，是专业高科技电子产品生产厂家，是具有 10 多年历史的专业电子元器件供应商，是中国最早和最大的仓储式连锁规模经营大型综合电子零部件代理分销商之一，是一家专业代理和分销世界各大品牌 IC 芯片和电子元器件的连锁经营综合性国际公司，专业经营进口、国产名厂名牌电子元件，型号、种类齐全。在香港、北京、深圳、上海、西安、成都等全国主要电子市场设有直属分公司和产品展示展销窗口门市部专卖店及代理分销商，已在全国范围内建成强大统一的供货和代理分销网络。我们专业代理经销、开发生产电子元器件、集成电路、传感器、微波光电元器件、工控机/DOC/DOM 电子盘、专用电路、单片机开发、MCU/DSP/ARM/FPGA 软件硬件、二极管、三极管、模块等，是您可靠的一站式现货配套供应商、方案提供商、部件功能模块开发配套商。商斯达实业公司拥有庞大的资料库，有数位毕业于著名高校——有中国电子工业摇篮之称的西安电子科技大学（西军电）并长期从事国防尖端科技研究的高级工程师为您精挑细选、量身订做各种高科技电子元器件，并解决各种技术问题。

更多产品请看本公司产品专用销售网站：

商斯达中国传感器科技信息网：<http://www.sensor-ic.com/>

商斯达工控安防网：<http://www.pc-ps.net/>

商斯达电子元器件网：<http://www.sunstare.com/>

商斯达微波光电产品网：[HTTP://www.rfoe.net/](http://www.rfoe.net/)

商斯达消费电子产品网：<http://www.icasic.com/>

商斯达实业科技产品网：<http://www.sunstars.cn/>

传感器销售热线：

地址：深圳市福田区福华路福庆街鸿图大厦 1602 室

电话：0755-83370250 83376489 83376549 83607652 83370251 82500323

传真：0755-83376182 (0) 13902971329 MSN: SUNS8888@hotmail.com

邮编：518033 E-mail:szss20@163.com QQ: 195847376

深圳赛格展销部：深圳华强北路赛格电子市场 2583 号 电话：0755-83665529 25059422

技术支持：0755-83394033 13501568376

欢迎索取免费详细资料、设计指南和光盘；产品凡多，未能尽录，欢迎来电查询。

北京分公司：北京海淀区知春路 132 号中发电子大厦 3097 号

TEL: 010-81159046 82615020 13501189838 FAX: 010-62543996

上海分公司：上海市北京东路 668 号上海赛格电子市场 2B35 号

TEL: 021-28311762 56703037 13701955389 FAX: 021-56703037

西安分公司：西安高新开发区 20 所(中国电子科技集团导航技术研究所)

西安劳动南路 88 号电子商城二楼 D23 号

TEL: 029-81022619 13072977981 FAX:029-88789382