

Magnetometers

HIGH-SPEED DIGITAL 3-AXIS FLUXGATE SENSOR

- ▼ $\pm 100 \mu\text{T}$ (± 1 Gauss) Full Scale Output
- ▼ Programmable Sample Rate 1/s to 250/s
- ▼ ± 3 nT of Noise

Applications

- ▼ High-speed Magnetic Sensing
- ▼ Magnetic Anomaly Detection
- ▼ Guidance/Compassing
- ▼ Laboratory Measurements
- ▼ Magnetic Field Mapping
- ▼ Materials Testing



CXM539

The CXM539 is the first high-speed, digital output, 3-axis fluxgate magnetometer to be commercially available. The system can convert and transmit over its serial port all three axes outputs at a rate up to 250 samples per second at 38400 baud. Sample rates and baud rates are user-programmable.

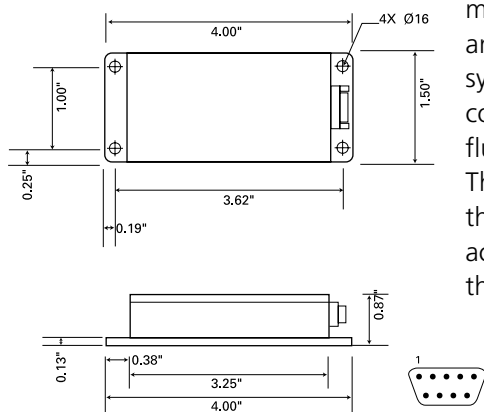
The CXM539 uses 3 separate 16-bit sigma delta converters to achieve high throughput. The scale factor is set so that a full-scale input of 10^{-4}T (1 Gauss) represents 32,768 counts on the system A/D. The least count represents about 3 nT. System noise is 1 - 2 counts.

The CXM539 system is ideally suited to situations where high-speed magnetic data must be acquired and analyzed. In the past, such systems have normally used a combination of an analog output fluxgate and an A/D board in a PC. The CXM539 simplifies and reduces the cost of the magnetic data acquisition system by eliminating the cumbersome A/D board.

The CXM539 can be used in either a command mode or auto send mode. In the command mode, the CXM539 responds to commands to transmit data issued by an external computer. In the auto send mode, the CXM539 commences sending data as soon as power is applied to the unit.

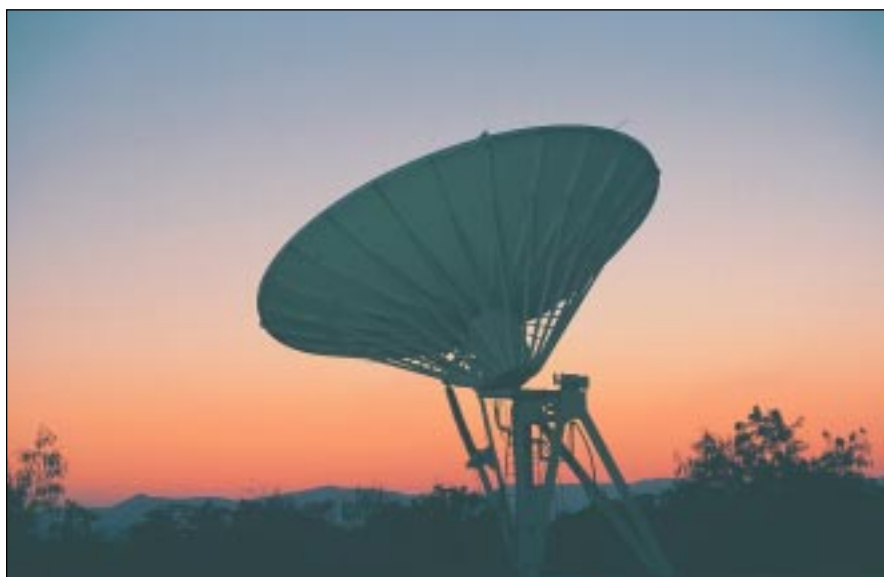
The CXM539 can be supplied with an optional connection cable and breakout box, which allows easy powering and connection to an external computer. A Windows™ compatible configuration and data acquisition and display program is supplied with the CXM539. This program enables the user to acquire and graphically display data as well as configure the CXM539 send rate, baud rate, output format, and other features.

In addition to the standard RS-232 interface, which is normally employed when communicating with a PC, the CXM539 is also equipped with a TTL interface for communication with a microprocessor.



Specifications	CXM539
Performance	
Accuracy (μ T)	$\pm 0.1 (\pm 1 \text{ mGauss})$
Noise (nT)	$\pm 3 (\pm 0.03 \text{ mGauss})$
Range (μ T)	$\pm 100 (\pm 1 \text{ g})$
Scale Stability (% FS/ $^{\circ}$ C)	± 0.05
Initial Offset (nT)	$< \pm 200 (\pm 2 \text{ mGauss})$
Offset vs. Temperature (nT/ $^{\circ}$ C)	$< 5 (< 0.05 \text{ mGauss}/^{\circ}\text{C})$
Orthogonality of Axes ($^{\circ}$)	Better than ± 0.5
Axes Alignment with Package ($^{\circ}$)	Better than ± 0.5
Linearity (% full scale)	± 0.1
Maximum Data Transfer	250 3-axis samples/sec @38,400 baud
A/D	3 16-bit Sigma Delta Converters
Data Levels	RS-232 and TTL
Environment	
Operating Temperature ($^{\circ}$ C)	- 20 to + 70
Electrical	
Power Input	100 mA@ + 7.5 to + 15 VDC
Baud Rate (User Selectable)	300 to 72800
Physical	
Size	1.60" x 4.08" x 1.125" (4 cm x 10.4 cm x 2.9 cm)
Connector	9-pin non-magnetic "D"

Specifications subject to change without notice



Pin	Function
2	RS 232 out
3	RS 232 in
5	Ground
6	TTL serial out
7	TTL serial in
8	Configure
9	+7.5 to +15V DC

Pin Diagram

magnetometers

Ordering Information

Model	Description
CXM539	High-speed Digital 3-axis Fluxgate Sensor

SUNSTAR 商斯达实业集团是集研发、生产、工程、销售、代理经销、技术咨询、信息服务等为一体的高科技企业，是专业高科技电子产品生产厂家，是具有 10 多年历史的专业电子元器件供应商，是中国最早和最大的仓储式连锁规模经营大型综合电子零部件代理分销商之一，是一家专业代理和分销世界各大品牌 IC 芯片和电子元器件的连锁经营综合性国际公司，专业经营进口、国产名厂名牌电子元件，型号、种类齐全。在香港、北京、深圳、上海、西安、成都等全国主要电子市场设有直属分公司和产品展示展销窗口门市部专卖店及代理分销商，已在全国范围内建成强大统一的供货和代理分销网络。我们专业代理经销、开发生产电子元器件、集成电路、传感器、微波光电元器件、工控机/DOC/DOM 电子盘、专用电路、单片机开发、MCU/DSP/ARM/FPGA 软件硬件、二极管、三极管、模块等，是您可靠的一站式现货配套供应商、方案提供商、部件功能模块开发配套商。商斯达实业公司拥有庞大的资料库，有数位毕业于著名高校——有中国电子工业摇篮之称的西安电子科技大学（西军电）并长期从事国防尖端科技研究的高级工程师为您精挑细选、量身订做各种高科技电子元器件，并解决各种技术问题。

更多产品请看本公司产品专用销售网站：

商斯达中国传感器科技信息网：<http://www.sensor-ic.com/>

商斯达工控安防网：<http://www.pc-ps.net/>

商斯达电子元器件网：<http://www.sunstare.com/>

商斯达微波光电产品网：[HTTP://www.rfoe.net/](http://www.rfoe.net/)

商斯达消费电子产品网：<http://www.icasic.com/>

商斯达实业科技产品网：<http://www.sunstars.cn/>

传感器销售热线：

地址：深圳市福田区福华路福庆街鸿图大厦 1602 室

电话：0755-83370250 83376489 83376549 83607652 83370251 82500323

传真：0755-83376182 (0) 13902971329 MSN: SUNS8888@hotmail.com

邮编：518033 E-mail:szss20@163.com QQ: 195847376

深圳赛格展销部：深圳华强北路赛格电子市场 2583 号 电话：0755-83665529 25059422

技术支持：0755-83394033 13501568376

欢迎索取免费详细资料、设计指南和光盘；产品凡多，未能尽录，欢迎来电查询。

北京分公司：北京海淀区知春路 132 号中发电子大厦 3097 号

TEL: 010-81159046 82615020 13501189838 FAX: 010-62543996

上海分公司：上海市北京东路 668 号上海赛格电子市场 2B35 号

TEL: 021-28311762 56703037 13701955389 FAX: 021-56703037

西安分公司：西安高新开发区 20 所(中国电子科技集团导航技术研究所)

西安劳动南路 88 号电子商城二楼 D23 号

TEL: 029-81022619 13072977981 FAX:029-88789382