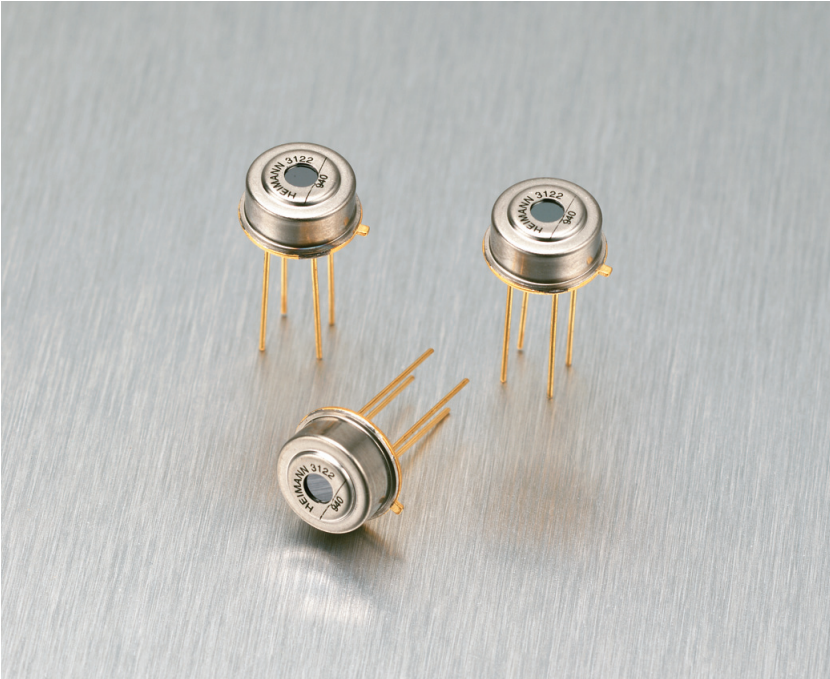


TPS 334 - Thermopile Detector

Small Absorber Size



Description

The **TPS 334** thermopile sensor in TO 5 type housing employs a chip of $0.7 \times 0.7 \text{ mm}^2$ absorber size and a $30 \text{ k}\Omega$ thermistor as a temperature reference. The round window opening is equipped with a $5.5 \mu\text{m}$ longpass (standard) infrared filter. The sensor shows a flat sensitivity characteristics over the wavelength.

The TPS 334 can be equipped with a G9 ($8 \dots 14 \mu\text{m}$) filter for precision remote temperature sensing (TPS 334 G9).

Features

- Small Absorber Size - Best Suited for Temperature Measurement Applications
- Standard Size for Pyrometers and Ear Thermometers

Figure 1. Package Drawing

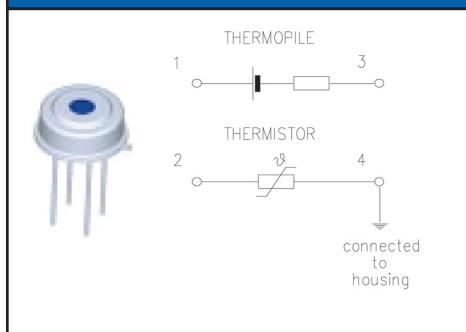


Figure 2.

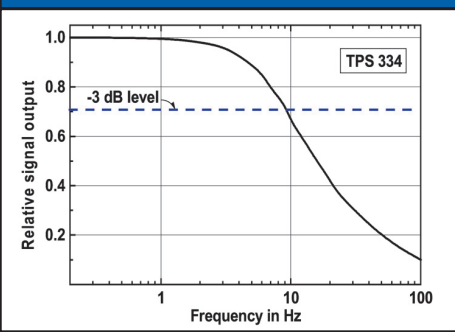


Figure 3.

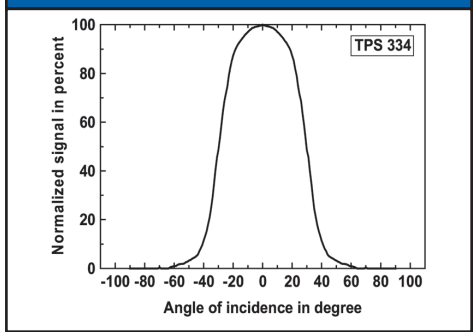


Figure 4. Top View Package Dimension

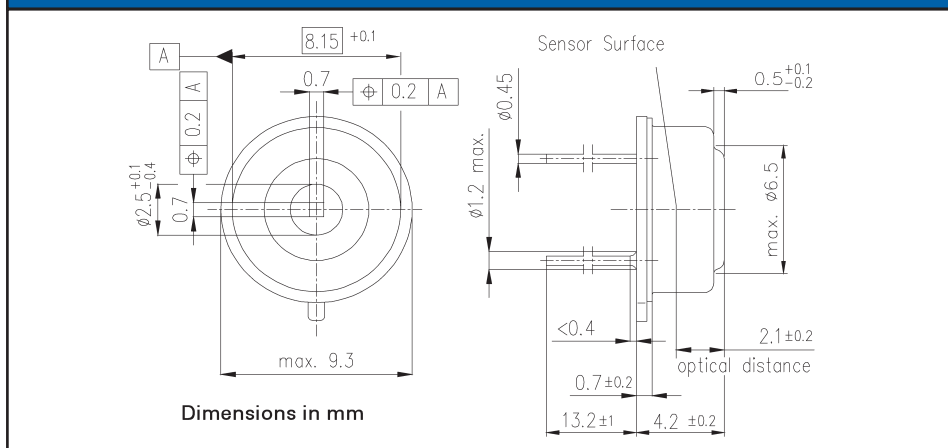


Figure 5. Bottom View

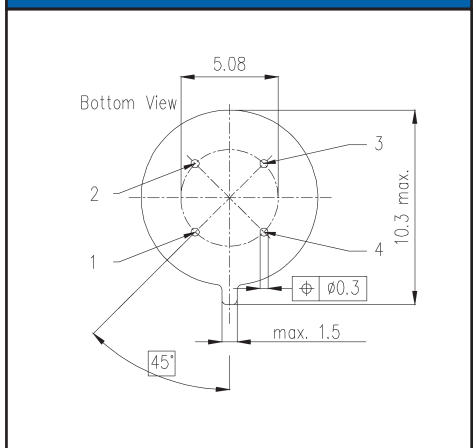


Table 1. TPS 334

Parameter	Typical	Units	Condition
Sensitive area	0.7 x 0.7	mm ²	absorbing area
Window size	2.5	mm	diameter
DC sensitivity	35	V/W	500K BB 5 ... 14μm
Resistance	75	kΩ	
Noise	38	nV/√Hz	r.m.s. 300K
NEP	1.2	nW/√Hz	500K BB 5 ... 14μm
D*	0.6 x 10 ⁸	cm√Hz/W	500K BB 5 ... 14μm
TC of sensitivity	0.02	%/K	
TC of resistance	0.02	%/K	
Time constant	25	ms	
Operating temperature	-40 to 100	°C	non permanent
Storage temperature	-40 to 100	°C	non permanent
Thermistor resistance	30	kΩ	25°C
beta	3964	K	25°C/100°C
Field of view	60	°	at 50% points

For more information e-mail us at opto@perkinelmer.com or visit our website at www.perkinelmer.com/optoelectronics

All values are nominal; specifications subject to change without notice.

North America:
 PerkinElmer Optoelectronics
 16800 Trans-Canada Highway
 Kirkland, Quebec J7V 8P7 Canada
 Toll Free: (877) 734-OPTO (6786)
 Phone: +1-450-424-3300
 Fax: +1-450-424-3411

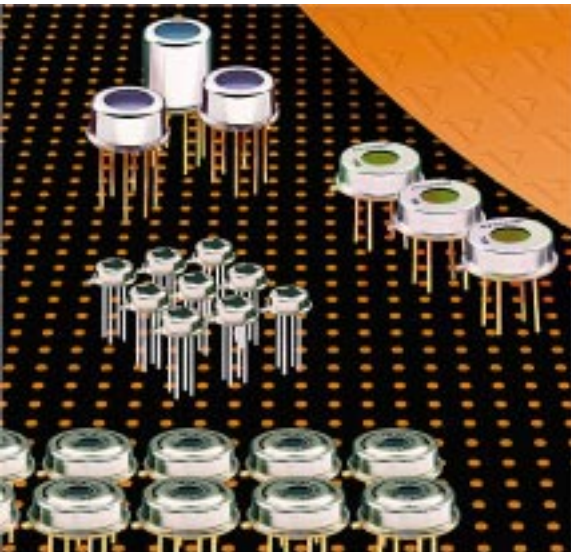
Europe:
 PerkinElmer Optoelectronics
 Wenzel-Jaksch-Str. 31
 D-65199 Wiesbaden, Germany
 Phone: +49-611-492-430
 Fax: +49-611-492-165

Asia:
 PerkinElmer Optoelectronics
 47 Ayer Rajah Crescent #06-12
 Singapore 139947
 Phone: +65-6770-4366
 Fax: +65-6775-1008



Thermopile Infrared Detectors

Thermopile Detector TPS 334

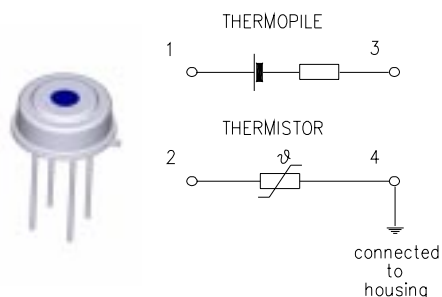


Small absorber size – best suited for temperature measurement applications

Standard type for pyrometers and ear thermometers

The **TPS 334** thermopile sensor in TO 5 type housing employs a chip of 0.7 x 0.7 mm² absorber size and a 30 kΩ thermistor as temperature reference. The round window opening is equipped with a 5.5 μm longpass (standard) infrared filter. The sensor shows a flat sensitivity characteristics over the wavelength.

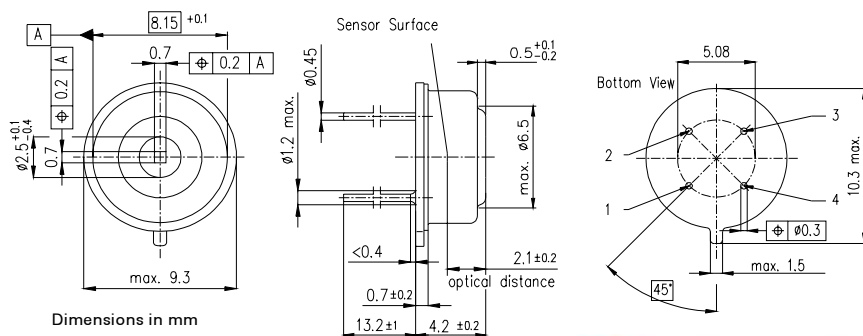
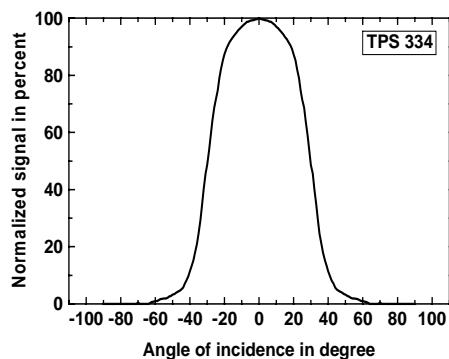
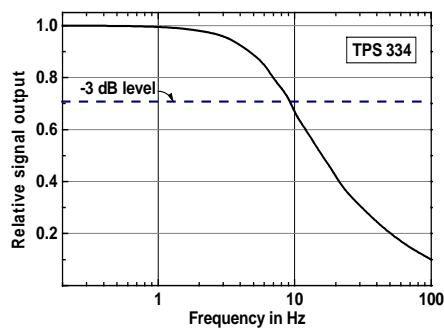
The TPS 334 can be equipped with a G9 (8..14 μm) filter for precision remote temperature sensing (TPS 334 G9).



Parameters	TPS 334		
	typical	units	condition
Sensitive area	0.7 x 0.7	mm ²	absorbing area
Window size	2.5	mm	diameter
DC sensitivity	35	V/W	500K BB 5...14μm
Resistance	75	kΩ	
Noise	38	nV/√Hz	r.m.s. 300K,
NEP	1.2	nW/√Hz	500K BB 5...14μm
D*	0.6 x 10 ⁸	cm√Hz/W	500K BB 5...14μm

TC of sensitivity	0.02	%/K	
TC of resistance	0.02	%/K	
Time constant	25	ms	
Storage temperature	-40	100	°C non permanent
Operating temperature	-40	100	°C non permanent
Thermistor resistance	30	kΩ	25°C
beta	3964	K	25°C/100°C
Field of view	60	°	at 50% points

Right for modification reserved / WS / 21.5.2001



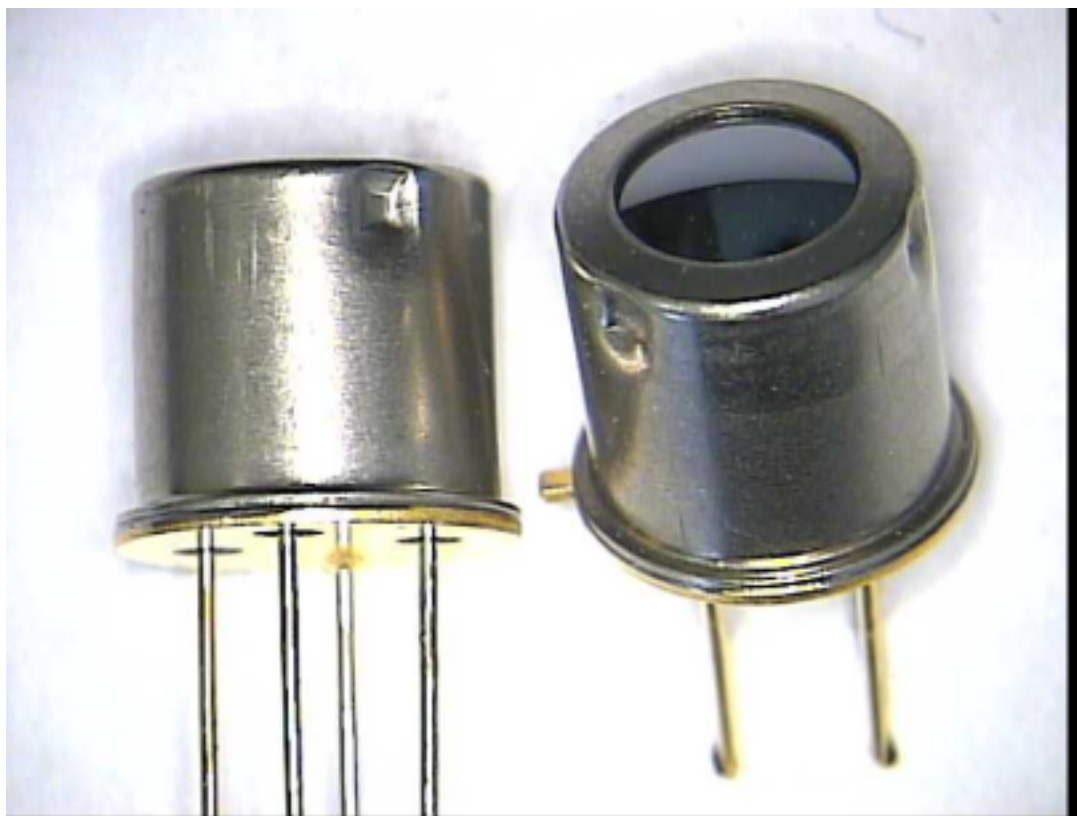


Product Specification

Specification

PerkinElmer Optoelectronics GmbH
 Wenzel-Jaksch-Straße 31
 65199 Wiesbaden, Germany
 Phone: +49 (6 11) 4 92-0
 Fax: +49 (6 11) 4 92-1 77
<http://www.perkinelmer.com>

Product Picture:



Product Name: TPS334-L5.5	Device Type: Thermopile Sensor	Part Number: 96383238
-------------------------------------	--	---------------------------------

Rev. No.	Date	Pages	Revision Record	Drawn	Checked
00	04DEC2001	10	Initial Release	MS	
Drawn	Mischa Schulze			Date	04DEC2001
Checked				Date	
Approved				Date	
Released				Date	

Customer:	Reference No.:	First Used:
Released	Date	



Product Specification

TABLE OF CONTENTS

1	SCOPE	3
2	GENERAL CHARACTERISTICS	3
2.1	ABSOLUTE MAXIMUM RATINGS	3
2.2	ELECTRICAL PARAMETER	3
2.2.1	Thermopile	3
2.2.2	Temperature Reference	4
2.3	HANDLING REQUIREMENTS	4
3	TYPE CHARACTERISTICS	4
3.1	DESIGN CHARACTERISTICS	4
3.2	ELECTRICAL CHARACTERISTICS	5
3.2.1	Thermopile	5
3.2.2	Thermistor	5
3.3	OPTICAL CHARACTERISTICS	6
3.3.1	Parameter	6
3.3.2	Sample Curve	6
3.4	FILTER CHARACTERISTICS	7
3.4.1	Sample Curve	7
3.5	MECHANICAL DRAWING	8
4	QUALITY	8
4.1	QUALITY SYSTEM	8
4.2	LOT ACCEPTANCE TEST	9
4.2.1	Test Conditions	9
4.2.2	Test Parameter	9
4.2.3	Test Level at the End Test	9
4.2.4	Test Level at the Quality Test	9
4.3	REFERENCED DOCUMENTS	9
4.4	LIABILITY POLICY	9

Product Specification

1 SCOPE

The HEIMANN thermopile sensor consists of a series of thermoelements, forming a sensitive area covered by an IR-absorbing material. The sensor is hermetically sealed into a metal housing. The size of the housing is similar to a TO-package with a window opening. The window is equipped with an IR-transmissible filter. An additional temperature reference sensor can be installed in the sensor housing. The thermopile sensor exhibits an almost white noise, comparable to an ohmic resistance. The thermopile output signal is direct proportional to incident radiation power largely independent from the wavelength. The frequency behaviour corresponds to a low pass characteristic.

2 GENERAL CHARACTERISTICS

2.1 ABSOLUTE MAXIMUM RATINGS

Parameter	Symbol	Limits			Units	Conditions
		Min	Typ	Max		
Ambient Temperature Range		-40		100	°C	Operation / Storage

2.2 ELECTRICAL PARAMETER

2.2.1 Thermopile

Parameter	Symb	Limits			Units	Conditions
		Min	Typ	Max		
Sensitive Area			0.7*0.7		mm ²	Absorber
Resistance	R _{TP}	50	75	100	kΩ	
Responsivity	S _V		55		V/W	-,500K,1Hz ¹⁾
Time Constant ²⁾	τ		25		ms	
Noise Voltage	V _{RMS}		35		nV/√Hz	R.M.S.,25°C
Noise Equivalent Power	NEP		0.64		nW/√Hz	-,500K,1Hz ¹⁾
Detectivity	D*		1.1*10 ⁸		cm√Hz/W	-,500K,1Hz ¹⁾
TC of Resistance		0	0.02	0.05	%/K	Temperature Coefficient
TC of Responsivity		-0.01	0.02	0.05	%/K	

Note 1: The values are defined without filter and optics.

Note 2: The time constant can be measured as response to an object temperature jump (low to high or high to low) based on the following equations :

$$\text{Low to High : } \Delta V = \Delta V_{\max} * \left(1 - e^{-\frac{t}{\tau}} \right)_{t=\tau} \Rightarrow \Delta V = \Delta V_{\max} * \left(1 - \frac{1}{e} \right)$$



Product Specification

$$\text{High to Low : } \Delta V = \Delta V_{\max} * \left(e^{-\frac{t}{\tau}} \right)_{t=\tau} \Rightarrow \Delta V = \Delta V_{\max} * \left(\frac{1}{e} \right)$$

2.2.2 Temperature Reference

Typ	Thermistor 100kΩ					
	Symbol	Limits			Units	Conditions
		Min	Typ	Max		
Resistance	R _{TH}	28.5	30	30.9	kΩ	At 25°C
BETA-Value	β	3944	3964	3984	K	Defined at 25°C/100°C

2.3 HANDLING REQUIREMENTS

Stresses above the absolute maximum ratings may cause damages to the device.

The sensor can be damaged by electrostatic discharges. Please take appropriate precautions for the handling. The thermopile sensors can be damaged by electrostatic discharges. Please take appropriate precautions for the handling.

Do not expose the sensor to aggressive detergents such as freon, trichlorethylen, etc. Windows may be cleaned with alcohol and cotton swab.

Hand soldering and wave soldering may be applied by a maximum temperature of 300°C for a dwell time less than 10s. Avoid heat exposure to the top and the window of the detector. Reflow soldering is not recommended.

3 TYPE CHARACTERISTICS

3.1 DESIGN CHARACTERISTICS

Parameter	Description	Material
Case	TO5	
Cap	Round opening	Alloy Nickel
Header	TO39	Steel with gold plating over Ni coating
Optics	Lense with focal length 5.5mm	Silicon uncoated
Leads	(3 isolated +1 ground) pins	Alloy with gold plating over Ni coating
Filter	G15 coating	Silicon base with diff. coatings
Temperature Reference	Thermistor	Ceramic with gold terminations
Case Filling	The sensor is hermetically sealed to withstand a gross leaktest according to MIL Std.883 method 1014c1.	Dry nitrogen
Device Marking On Cap Side	Manufacturer symbol + last 4 digits of the product number : 3 digits date code yww :	PE### ###



Product Specification

3.2 ELECTRICAL CHARACTERISTICS

3.2.1 Thermopile

Parameter	Symb	Limits			Units	Conditions
		Min	Typ	Max		
Resistance	R _{TP}	50	75	100	kΩ	25°C
Time Constant	τ		25	70	ms	25°C
Noise Voltage	V _{RMS}			40	nV _{RMS} /√Hz	

3.2.2 Thermistor

T	Rmin1	Rmin2	Rnom	Rmax2	Rmax1
°C	Ω	Ω	Ω	Ω	Ω
-40	844572	889932	907200	924468	951684
-35	618414	651564	663000	674436	694326
-30	457513	481993	489600	497207	511895
-25	341771	360026	365100	370174	381127
-20	257478	271207	274590	277973	286211
-15	195682	206099	208350	210601	216851
-10	149931	157900	159390	160880	165661
-5	115788	121934	122910	123886	127573
0	90086	94861	95490	96119	98984
5	70598	74335	74730	75125	77367
10	55708	58653	58890	59127	60894
15	44243	46578	46710	46842	48243
20	35393	37259	37320	37381	38501
25	28500	30000	30000	30000	30900
30	22997	24210	24249	24288	25016
35	18677	19663	19716	19769	20360
40	15253	16059	16119	16179	16662
45	12529	13191	13254	13317	13714
50	10340	10888	10950	11012	11341
55	8575	9030	9090	9150	9423
60	7145	7524	7581	7638	7866
65	5983	6300	6354	6408	6598
70	5032	5299	5349	5399	5559
75	4252	4478	4524	4570	4706
80	3606	3798	3840	3882	3997
85	3071	3235	3273	3311	3410
90	2624	2764	2799	2834	2918
95	2253	2373	2405	2437	2509
100	1940	2044	2073	2102	2164



Product Specification

Rmin1: Minimum Thermistor Resistance resulting from the Total Tolerance
 Rmin2: Minimum Thermistor Resistance resulting from the BETA-Tolerance
 Rnom : Typical Thermistor Resistance
 Rmax1: Maximum Thermistor Resistance resulting from the Total Tolerance
 Rmax2: Maximum Thermistor Resistance resulting from the BETA-Tolerance

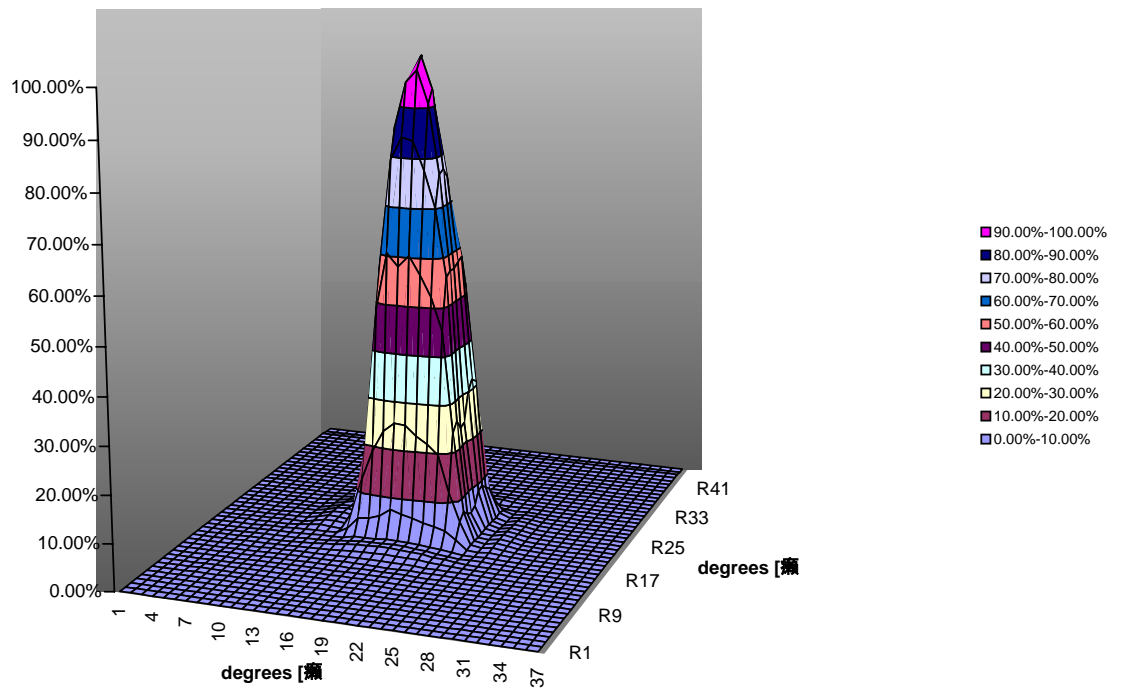
3.3 OPTICAL CHARACTERISTICS

3.3.1 Parameter

TPS3x4-L5.5					
Parameter	Limits			Units	Conditions
	Min	Typ	Max		
Field of View		7	10	degree	At 50% target signal
Optical Axis		0	±2	degree	

3.3.2 Sample Curve

Field of View Measurement with a Thermopile module equipped with a 5,5mm-lens and a Antireflex Inlay

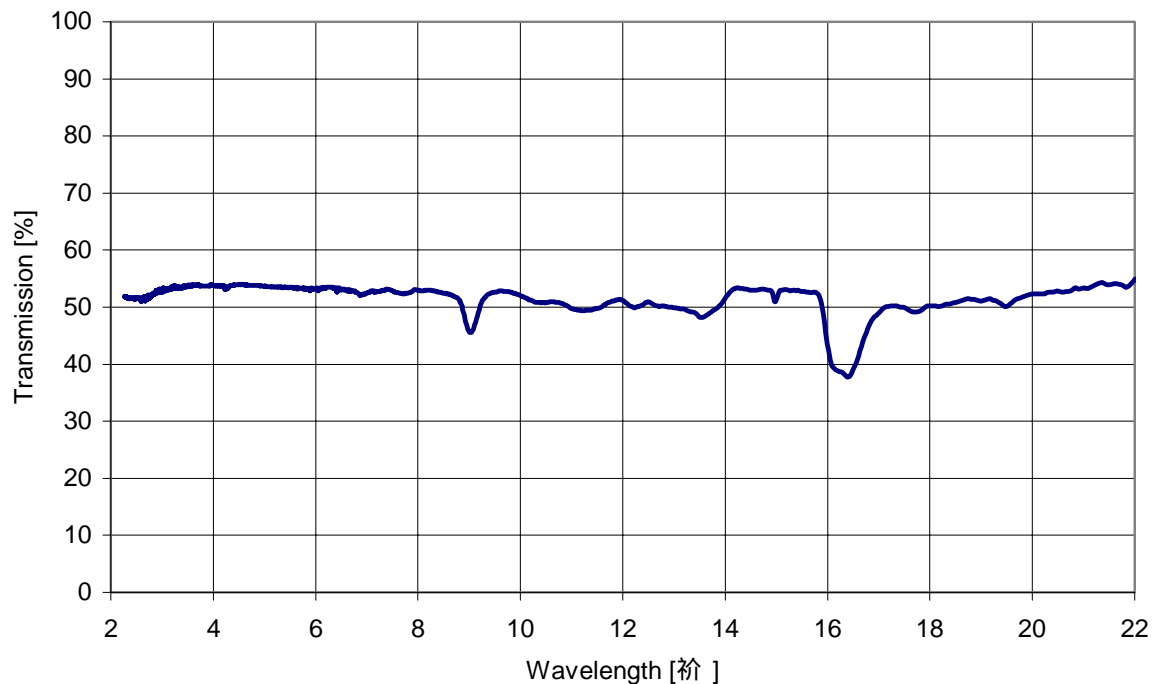




Product Specification

3.4 FILTER CHARACTERISTICS

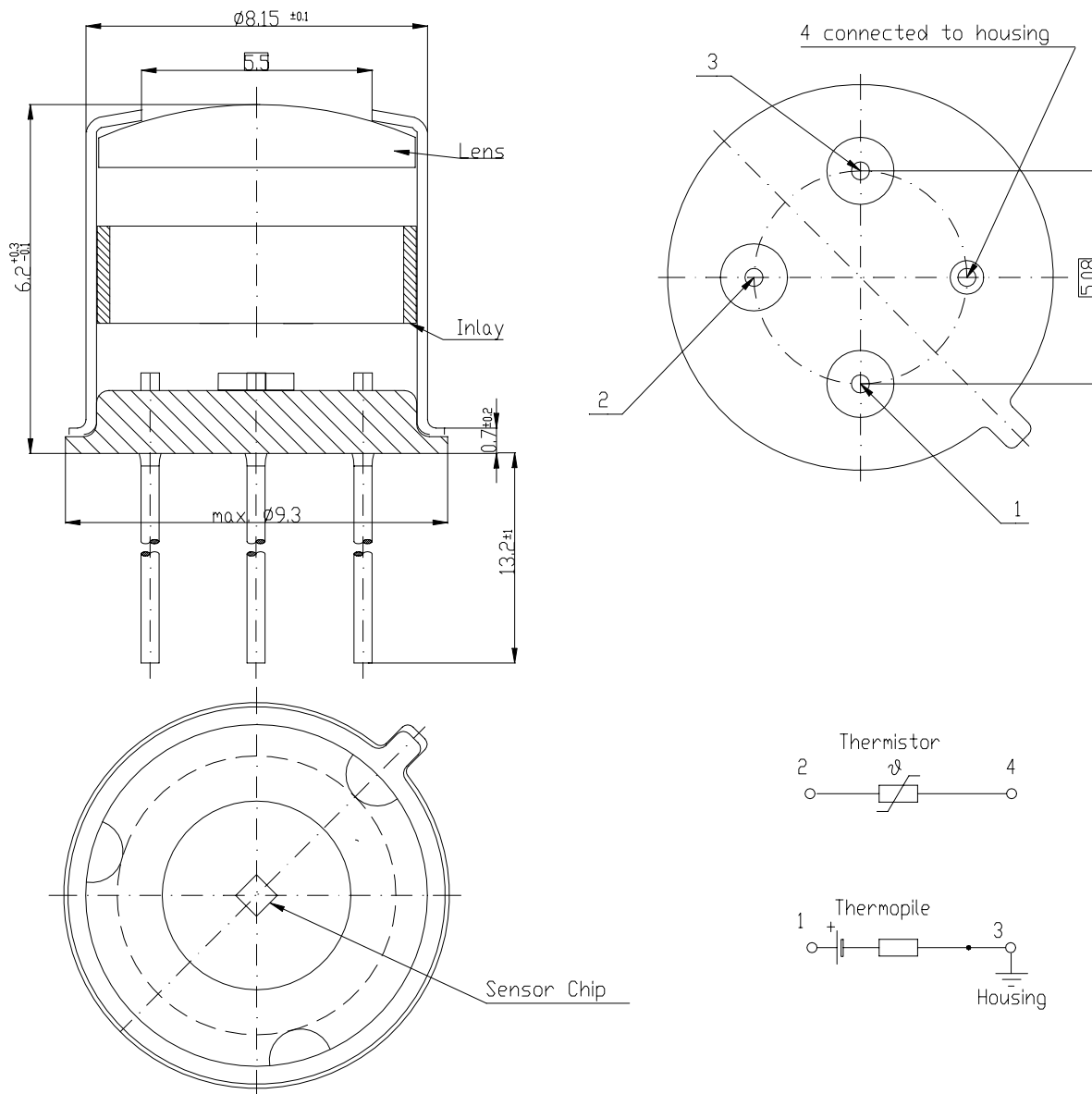
3.4.1 Sample Curve





Product Specification

3.5 MECHANICAL DRAWING



4 QUALITY

4.1 QUALITY SYSTEM

PerkinElmer Optoelectronics is an ISO 9001 certified manufacturer. All materials are checked according to specifications and final goods meet the specified tests.



Product Specification

4.2 LOT ACCEPTANCE TEST

4.2.1 Test Conditions

Typical ambient temperature	25°C
-----------------------------	------

4.2.2 Test Parameter

Parameter	Symbol	Limits			Units	Conditions
		Min	Typ	Max		
Resistance TPS	R _{TP}	50	75	100	kΩ	RT (room temperature)
Resistance TH	R _{TH}	20	30	40	kΩ	RT

4.2.3 Test Level at the End Test

Lot conformance to specification of products delivered in volume production is checked by means of following tests (manufacturing) :

Test	Conditions	Level
Thermopile resistance	Acc. to the test parameters, tolerance check	100%
Thermistor resistance	Acc. to the test parameters, functional check	100%

4.2.4 Test Level at the Quality Test

Lot conformance to specification of products delivered in volume production is checked by means of following tests (quality) :

Test	Conditions	Level
Thermopile resistance	Acc. to the test parameters, tolerance check	AQL0.1
Thermistor resistance	Acc. to the test parameters, functional check	AQL0.1

4.3 REFERENCED DOCUMENTS

The referenced documents form a part of this drawing. The revision level of these referenced documents unless defined shall be that which is in effect on the date of the purchase order.

4.4 LIABILITY POLICY

Changes or modifications at the product which haven't influence to the performance and/or quality of the device haven't to be announced to said customer in advance or approved by said customer. Customers are advised to consult with PerkinElmer Optoelectronics sales representatives before ordering. Customers considering the use of PerkinElmer Optoelectronics thermopile devices in special applications where failure or abnormal operation may directly affect human lives or cause physical injury or property damage, or



Product Specification

where extremely high levels of reliability are demanded, are requested to consult with PerkinElmer Optoelectronics sales representatives before such use. The company will not be responsible for damage arising from such use without prior approval.

As any semiconductor device, thermopile sensors or modules have inherently a certain rate of failure. It is therefore necessary to protect against injury, damage or loss from such failures by incorporating safety design measures into the equipment.



TECHNICAL DATA THERMOPILE SENSORS
TPS 334-L10.6 / Preliminary

ONLY FOR INFORMATION
SUBJECT TO CHANGE

DESCRIPTION

The sensor type TPS334-L10.6 consists of a series of thermoelements, forming a sensitive area of 0.7*0.7mm². The sensor is hermetically sealed into a metal housing. The size of the housing is similar to TO-5. The window is equipped with a lens optics based on silicon. The TPS334-L10.6 is assembled with an additional thermistor temperature reference. The thermopile sensor exhibits an almost white noise, comparable to an ohmic resistance. The thermopile output signal is directly proportional to incident radiation power largely independent from the wavelength. The frequency behaviour corresponds to a low pass characteristic.

GENERAL DATA

Parameter	Value	Unit	Conditions
Thermopiles			
Sensitive Area	0.7*0.7	mm ²	absorber, typical
Responsivity	55	V/W	without filter or optics,500K,1Hz,typical
Resistance	75	kΩ	typical
Noise Voltage	35	nV/√Hz	r.m.s.,25°C,typical
NEP	0.58	nW/√Hz	without filter or optics,500K,1Hz,typical
Detectivity	1.2*10 ⁸	cm√Hz/W	without filter or optics,500K,1Hz,typical
Time Constant	25	ms	typical
TC of Resistance	<0.1	%/K	
TC of Responsivity	0.02	%/K	typical
Thermistor Temperature Reference			
Resistance	30	kΩ	defined at 25°C
Resistance Tolerance	+3 / -5	%	defined at 25°C
BETA - Value	3964	K	defined at 25°C/100°C
BETA -Tolerance	±1	%	for the total range of operation temperature
Temperature Range	-40..100	°C	operation / storage

HERMETIC SEAL

The Thermopile sensor is hermetically sealed to withstand a gross leaktest according toMIL Std.883 method 1014c1. The sensor is sealed with dry nitrogen.

SOLDERING

Hand soldering and wave soldering may be applied by a maximum temperature of 260°C for a dwell time less than 10s. Avoid heat exposure to the top and the window of the detector. Reflow soldering is not recommended.

QUALITY

HEIMANN is a ISO 9001 certified manufacturer with established SPC and TQM. All materials are checked according to specifications and final goods meet the specified tests.

HANDLING

Do not expose the sensors to aggressive detergents such as freon, trichlorethylen, etc. Windows may be cleaned with alcohol and cotton swab.

CAUTION

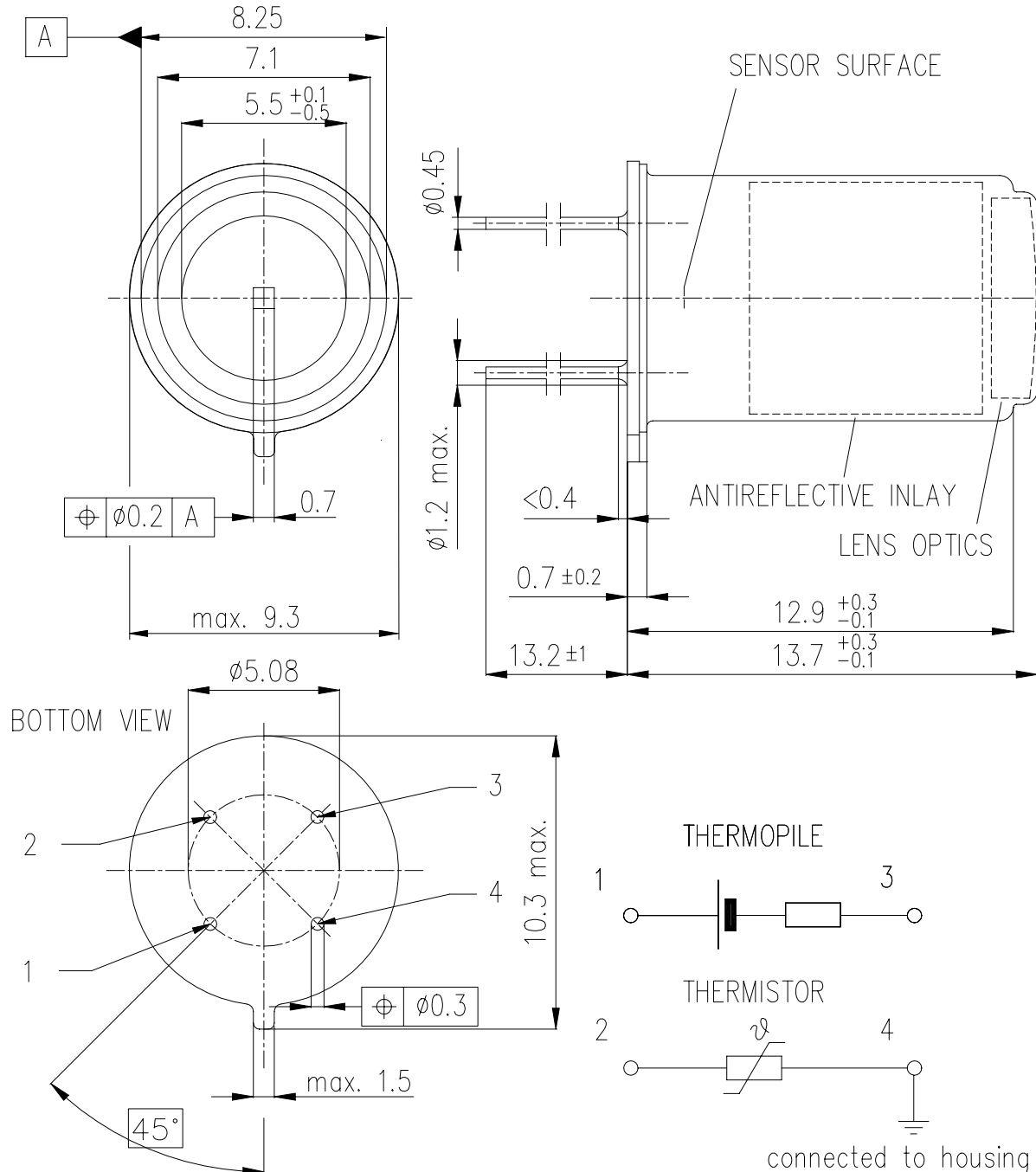
The thermopile sensors can be damaged by electrostatic discharges. Please take appropriate precautions for the handling.



TECHNICAL DATA THERMOPILE SENSORS
TPS 334-L10.6 / Preliminary

ONLY FOR INFORMATION
SUBJECT TO CHANGE

DIMENSIONS AND CONNECTIONS

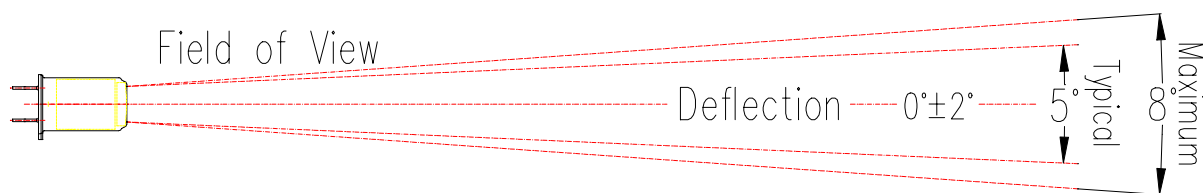
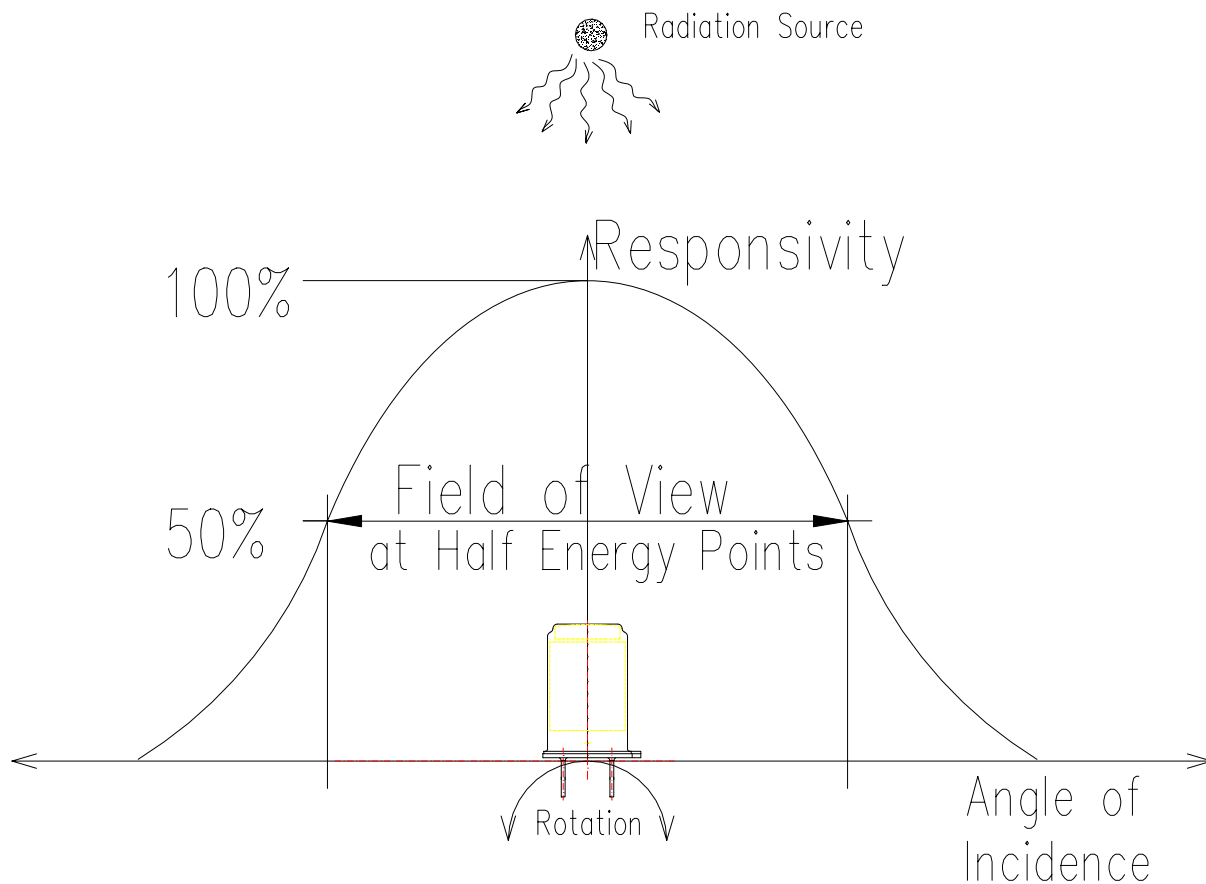




TECHNICAL DATA THERMOPILE SENSORS
TPS 334-L10.6 / Preliminary

ONLY FOR INFORMATION
SUBJECT TO CHANGE

FIELD OF VIEW





TECHNICAL DATA THERMOPILE SENSORS
TPS 334-L10.6 / Preliminary

ONLY FOR INFORMATION
SUBJECT TO CHANGE

THERMISTOR REFERENCE DATA

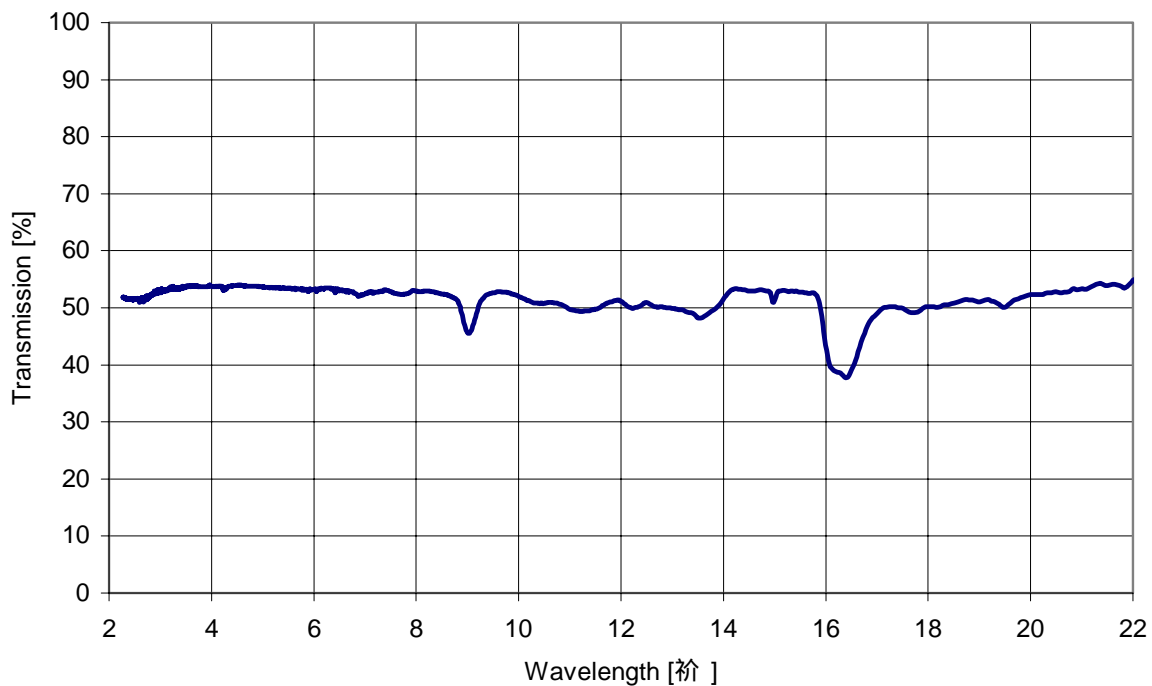
T	Rmin1	Rmin2	Rnom	Rmax2	Rmax1	ΔT_{min1}	ΔT_{min2}	ΔT_{max2}	ΔT_{max1}
°C	Ω	Ω	Ω	Ω	Ω	°C	°C	°C	°C
-40	808655	854015	907200	960385	987601	-1.74	-0.94	0.94	1.42
-35	594742	627892	663000	698108	717998	-1.67	-0.86	0.86	1.35
-30	441842	466322	489600	512878	527566	-1.63	-0.8	0.8	1.29
-25	331372	349627	365100	380573	391526	-1.6	-0.74	0.74	1.26
-20	250577	264307	274590	284873	293111	-1.58	-0.68	0.68	1.22
-15	191113	201531	208350	215169	221420	-1.54	-0.61	0.61	1.17
-10	146923	154893	159390	163887	168669	-1.49	-0.54	0.54	1.11
-5	113827	119973	122910	125847	129535	-1.43	-0.47	0.47	1.04
0	88824	93599	95490	97381	100246	-1.37	-0.39	0.39	0.98
5	69841	73578	74730	75882	78124	-1.33	-0.32	0.32	0.93
10	55297	58241	58890	59539	61305	-1.34	-0.25	0.25	0.9
15	44016	46352	46710	47068	48470	-1.38	-0.19	0.19	0.91
20	35330	37196	37320	37444	38563	-1.24	-0.08	0.08	0.78
25	28500	30000	30000	30000	30900	-1.17	0	0	0.7
30	22930	24143	24250	24357	25085	-1.3	-0.11	0.11	0.82
35	18570	19556	19720	19884	20475	-1.42	-0.21	0.21	0.94
40	15118	15924	16120	16316	16799	-1.56	-0.31	0.31	1.06
45	12383	13045	13250	13455	13852	-1.7	-0.41	0.41	1.18
50	10197	10744	10950	11156	11484	-1.84	-0.51	0.51	1.31
55	8434	8888	9090	9292	9564	-1.99	-0.62	0.62	1.44
60	7010	7389	7581	7773	8001	-2.13	-0.72	0.72	1.57
65	5858	6176	6354	6532	6723	-2.25	-0.81	0.81	1.68
70	4916	5183	5349	5515	5675	-2.38	-0.92	0.92	1.79
75	4146	4372	4524	4676	4812	-2.5	-1.01	1.01	1.9
80	3508	3700	3840	3980	4095	-2.63	-1.11	1.11	2.02
85	2981	3145	3273	3401	3500	-2.77	-1.22	1.22	2.15
90	2542	2682	2799	2916	3000	-2.93	-1.34	1.34	2.29
95	2179	2299	2405	2511	2583	-3.11	-1.46	1.46	2.45
100	1873	1977	2073	2169	2231	-3.34	-1.6	1.6	2.64



TECHNICAL DATA THERMOPILE SENSORS
TPS 334-L10.6 / Preliminary

ONLY FOR INFORMATION
SUBJECT TO CHANGE

TYPICAL FILTER CHARACTERISTICS

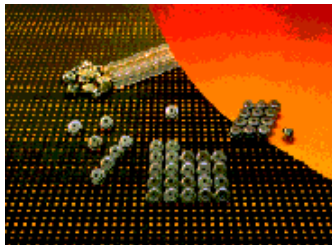




thermophysica minima

THERMOELECTRIC INFRARED SENSORS (THERMOPILES) FOR REMOTE TEMPERATURE MEASUREMENTS; PYROMETRY

Abstract



Nowadays, there are thermopile sensors available, which allow remote temperature sensing at quite low overall system costs. The sensor does not require any cooling and – dependent on the measurement range – can reach a typical accuracy of ± 1 K. For narrow temperature ranges as e.g. in body temperature measurement, a precision of 0.1 K is possible.

PerkinElmer Optoelectronics has developed a series of thermopile types adapted for various applications. Available standard devices are:

- sensors for ear thermometers to sense body temperature,
- sensors with focussing optics and signal processing electronics (on circuit board or integrated in sensor housing) for object temperature control in microwave ovens, hair dryers, cookers, etc.,
- sensor arrays with integrated multiplexer and amplifier for pattern recognition in position control in e.g. automobiles (airbag safety), room sensing by position and direction control of humans, etc.
- sensors with infrared bandpass filters for gas detection by infrared absorption. This subject is covered by a separate article [1].

The achievement of a good performance of thermopile devices requires a minimum of knowledge on infrared technology and thermal management of thermoelectric devices. This article therefore aims at the necessary basics for a correct implementation.

1	Introduction	2
1.1	Photonic detectors	2
1.2	Pyroelectric sensors	2
1.3	Thermopile sensors	3
2	Thermopiles by modern microsystem technology.....	4
3	Characteristic figures of thermopiles.....	5
4	Temperature measurements by thermopiles	7
4.1	Calibrating a thermopile for temperature measurements	8
4.2	Factors disturbing the accuracy.....	8
4.3	Practice of ambient temperature compensation	9
4.4	On the emission coefficient.....	10
5	Frequently asked questions	10
6	Literature	12

1 Introduction

Every object emits radiation which is largely controlled by the object's temperature. For an object that has "no color", which means, no wavelength is selectively emitted or absorbed, the radiation spectrum is completely determined by the temperature alone. In this case, one speaks of a "black body". The spectral radiation characteristics of a black body can be theoretically calculated. Figure 1 shows them for selected temperatures.

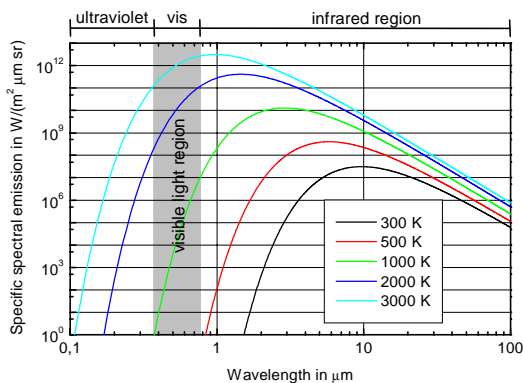


Figure 1: Spectral radiation characteristics of a "black body" at different temperatures (Planck's radiation law). It is to be noted that the curves never intersect, which means that the radiation intensity at every wavelength is a strict function of the temperature. By measuring the intensity of the radiation one can therefore determine the object's temperature.

With rising temperature, the intensity at every wavelength of the radiation spectrum increases as well. This means that one can remotely determine the temperature of an object by measuring its radiated power. Such a measurement can, for example, be carried out by using your eyes. The human eye is sensitive for radiation in the range from 0.38 to 0.75 μm . This region – it is naturally called the "visible spectrum" – is marked in Figure 1. If the temperature of an object exceeds 400 °C (700 K), it will emit a remarkable portion of radiation at the red end of the visible region. It will start to glow in a dark red color, an effect well known from electrically heated stoves. When further increasing the temperature – let's say to 1000 °C (1300 K), the glowing will not only become more intensive, but also its color will change to light red, because there are now green and yellow portions added. Radiation from an object with a temperature of 6000 K will appear as bright white for our eyes. 6000 K is the

temperature of the sun and our eyes are adapted to "detect" this radiation as white light.

1.1 Photonic detectors

If the measured body has a temperature lower than 400 °C, one needs a radiation detector which is sensitive to a much longer wavelength than those of the visible spectrum. A detector is needed, which is sensitive to the infrared region (also called heat radiation) around 10 μm wavelength. There are different sensors available, which are capable for accurately detecting and measuring heat radiation in the 3 to 20 μm infrared (IR) wavelength region. The most common IR detectors employed during the past decades are based on semiconductors, in which the incident IR radiation induces a change in electrical conductivity, which can easily be measured and used as the sensing signal for the incident power. Such photonic detector systems offer a great accuracy and sensitivity to IR radiation. The needed semiconductors and thermal and electrical systems, though, are very expensive.

Thermal facts



There are people who think that an infrared temperature measurement needs to *send out* some sort of radiation which may be harmful. Therefore they hesitate to use an ear thermometer, for example.

It thus has to be emphasized that a radiative temperature measurement is an entirely *passive method* – it measures only the natural heat which is sent out by every object.

1.2 Pyroelectric sensors

For a long time the high cost issue posed severe constraints on the development of IR systems for the consumer market. This could only be overcome by another class of detectors. A type of sensor capable to detect IR radiation with a good accuracy and at the same time being available at low cost are the so-called pyroelectric sensors. Here, the heat radiation collected by the pyroelectric material generates a static voltage signal across the crystalline material. Under constant illumination, however, the signal declines, which makes a periodical refresh necessary. This is usually achieved by a

usually achieved by a mechanical chopper in front of the detector.

Pyroelectric detectors are applicable for mass production. They have found their way into the consumer market through applications in burglar alarm systems and automatic light switches. Here, the detector senses the IR radiation from approaching persons. In this case, no chopper is needed, because an optics focuses the radiation from the moving persons alternately onto two detector crystals with opposite polarity. This generates a difference signal, which drives a switch or an alarm. The advantage of pyroelectric detectors is in detecting moving objects and at the same time suppressing quasi-static signals as from furnaces and other heat sources, which vary only slowly in time. On the other hand, for static temperature measurements one still needs a relatively expensive setup which includes mechanical parts.

1.3 Thermopile sensors

Recently, an over 150 year old method to measure infrared radiation is revived: The utilization of thermocouples. A thermocouple consists of two different materials which are connected at one end, while the other two ends are attached to a voltage meter (cf. Figure 2a). If there is a temperature difference between the common junction and the voltmeter ends, a so-called thermovoltage is shown by the meter. The magnitude of the voltage is a function of the temperature difference, but also dependent on the nature of the two employed materials.

If we now attach an absorber to the junction, and place it into the IR radiation coming from an object, the absorber will collect the incident heat (Figure 2b). We can simply say that the absorber and thus the thermocouple junction will warm up due to the incident radiation. After a short while, the temperature difference between the (warm) junction and the (colder) reference ends will stabilize. The thermocouple material in turn converts the temperature difference into a voltage shown by the voltmeter. Thus, the voltmeter reading is a direct measure for the object temperature. This method is principally simple, does not need any mechanics, and can accurately sense static signals. Like the pyroelectric detectors, a thermopile sensor generates the measurement signal by itself, not requiring any current source.

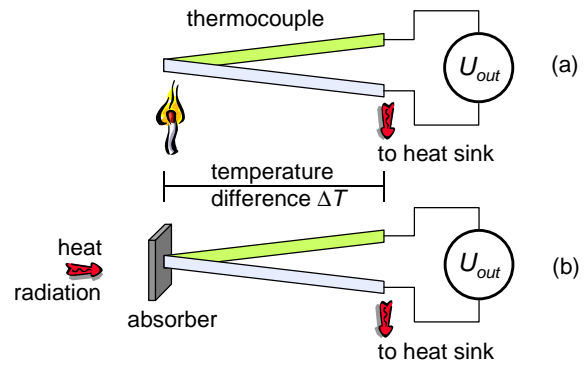


Figure 2: Thermocouple principle. (a) Two dissimilar conductors form a thermocouple. A temperature difference over the couple generates an electrical voltage. (b) The needed temperature difference emerges if heat is absorbed by the thermocouple junction and led to a heat sink. The developing voltage is proportional to the amount of flowing heat.

Classically, several ten macroscopic wire thermoelements were connected in series in order to increase the generated voltage and to make the system more sensitive. The materials employed were mostly antimony and bismuth, as they exhibit a large thermovoltage. The resulting system was called a thermopile, because it was indeed a pile, made of a large heavy block. Figure 3 shows an original sketch of such an instrument after N. Nobili (1835). Due to the large thermal masses it was very slow in following signal changes. As can be imagined, these instruments were originally only applicable for laboratory work.

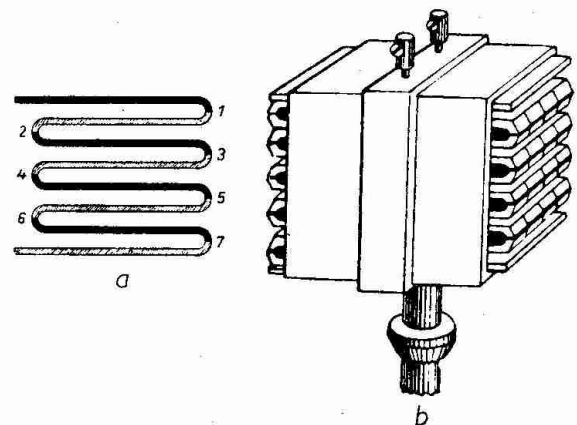


Figure 3: In series connected thermocouples made of antimony and bismuth (a) form a thermopile (b). After N. Nobili (1835).

Nowadays, modern semiconductor technology makes it possible to produce thermopile sensors consisting of hundreds of thermocouples on an area of several square millimeters. Such a sensor is extremely sensitive, shows a very fast response

time due to its smallness, and it is additionally inexpensive, because of the employment of semiconductor mass production means. PerkinElmer, who is well known for many years for its pyroelectric detectors, has developed a unique technology to produce thermopile sensors and arrays by means of silicon micromachining. Due to the automated batch processing, the sensors offer a high reproducibility and accurateness. Its compact size makes them very robust and easy to operate.

2 Thermopiles by modern microsystem technology

Figure 4 shows a sketch of the architecture of a micromachined thermopile chip and Figure 5 shows a photo. The production occurs first by deposition of a thin glassy (electrically insulating) layer onto a silicon wafer. Up to a hundred thermocouples together with their connecting leads are subsequently deposited. Depending on the wafer size, one disk can carry several thousand elements. The processed wafer undergoes a micromaching step, where the silicon below the membrane is removed by an appropriate etching process. The last step is the deposition of an absorber material, which shows a high and constant absorption coefficient in the considered IR region [2].

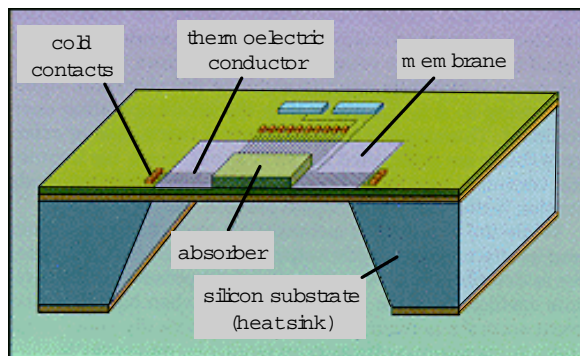


Figure 4: Sketch of a micromachined thermopile. The thermocouples made of silicon and aluminium are placed between the center of a thin membrane and a silicon rim. The membrane has a high thermal resistivity and thus allows the center junctions to raise their temperature when IR heat radiation hits the absorber layer. The resulting temperature difference between the absorber and the rim is converted into a voltage, which can be measured at the sensor's output leads.

The elements on the wafer are separated by cutting and then bonded into a standard (transistor outline, TO) housing (cf. Figure 5). A cap with an infrared window is welded onto the base plate

in inert atmosphere. These single elements are the simplest form of micromachined thermopiles. Figure 6 shows an arrangement of them. More complex forms involve line or array arrangements (cf. Figure 7) [3].

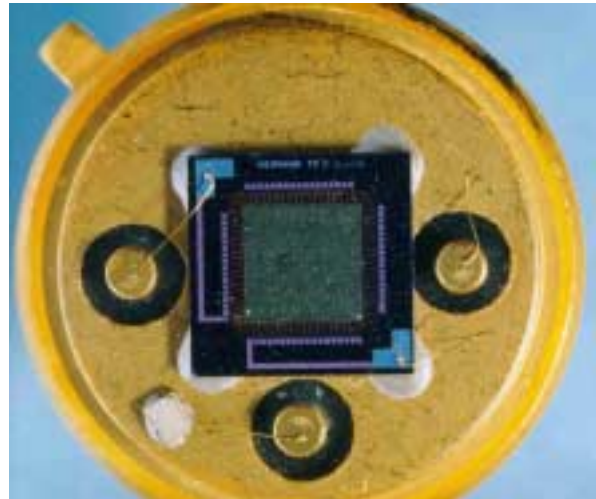


Figure 5: PerkinElmer micromachined thermopile on a transistor housing base plate. The thermocouple's cold contacts can clearly be seen on the silicon rim. The center square is the absorber layer. The output leads are bonded to the left and right connection pins. The lower pin is connected to the thermistor, which can be seen in the lower left corner.



Figure 6: Thermopile sensors: The upper and the lower rows are sensors in TO housings sealed under inert atmosphere. The round hole is the infrared window, through which the radiation reaches the absorber.

The output signal of a thermopile sensor is in the submillivolt range and has to be amplified for further processing. The amplifier for this purpose should be placed as close as possible to the sensor in order to maintain a good signal-to-noise level. The latest sensor generations therefore feature an application specific integrated circuit

(ASIC) placed together with the sensor into the housing. Arrays have additionally a multiplexer which reads the pixels in a series. This holds connection wires to a minimum.

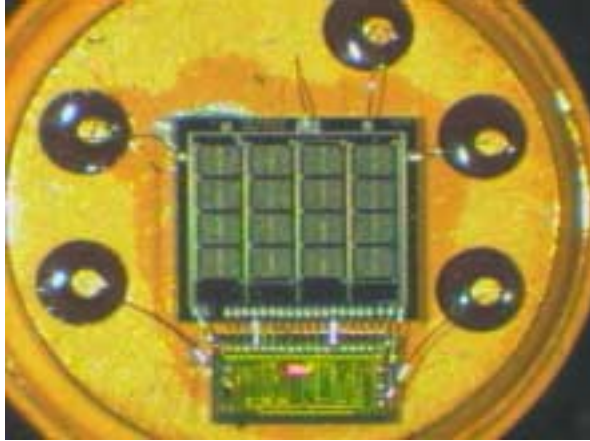


Figure 7a: 4x4 thermopile array with integrated circuit (ASIC) containing the multiplexer and amplifier.



Figure 7b: Thermopile line array with ASIC containing the multiplexer and amplifier. The right side shows the capped sensor with micromachined silicon lens.

Thus today's integrated circuit processing technology is able to produce thermopile devices which are smaller, perform better and are less costly than traditional sensors.

3 Characteristic figures of thermopiles

Sensitivity:

The most important parameter of a thermopile sensor is its sensitivity, S , often also called responsivity. It connects the voltage output of a sensor, U_{out} , to the absorbed radiation power, P_{rad} . Its definition is therefore

$$S = \frac{U_{out}}{P_{rad}}$$

with the dimension V/W. It should be as high as possible. Typical sensitivity values of thermopiles are several 10 to about 100 V/W dependent

on the area of the absorber and the number and type of thermocouples.

If the sensitivity is measured with a black body as source, it is termed *black body sensitivity*, while the term *spectral sensitivity* is used if there are filters in the radiation path. Therefore one has to carefully consider the specific circumstances when interpreting and comparing sensitivity values in datasheets.

Thermopower:

The incident radiation power generates a temperature difference, ΔT , between the warm and cool ends of the individual thermocouples. This in turn gives rise to the mentioned thermovoltage.

Thermal facts



The sensitivity S is certainly the most important parameter for thermopile characterization. The higher the better and for a given thermopile the output signal directly scales with S .

But it is dangerous to use the sensitivity to rate the expected output voltage of different thermopiles. If the areas of the two devices' absorbers are different, the smaller thermopile will collect less heat radiation and hence its output signal will be smaller.

Since this is a physical fact, one has therefore carefully to *consider both*, absorber size and sensitivity.

The magnitude of the voltage in respect to the temperature difference is called the total thermopower

$$\alpha = \frac{U_{out}}{\Delta T}$$

It is measured in V/K. A typical value of a single thermocouple made of Si and Al is 250 μ V/K. A thermopile with 50 elements therefore generates 12.5 mV/K.

Noise equivalent power (NEP):

The output signal of every electric circuit and therefore of every sensor is distorted by electric noise. The largest noise source for the devices considered here is the stochastic (white) noise generated in an ohmic resistor due to charge fluctuation.



Thermal facts



On the design of thermopiles

It is correct that the sensitivity S becomes larger when rising the thermopower α . It is also correct that the thermopower rises when increasing the number of thermocouples. But it is **not correct** that the sensitivity inevitably rises, when increasing the number of thermocouples. Thus, a thermopile featuring 100 couples is not necessarily “better” than one with only 50 couples.

This sounds contradicting, but in fact the situation is a bit complex. The sensitivity is a function of a parameter, Z , which is expressed as $\alpha^2/(RK)$. Here, α is the already known thermopower, R the electrical resistance of the thermopile, i.e. the sum in resistance of all thermocouples in series, and K the thermal conductance of the thermopile/membrane system. Z is called figure-of-merit and it is the correct parameter to value the performance of a thermopile system.

The three components of Z show a mutual dependence. For example, when increasing the number of thermocouples, α will rise, but concomitantly also R , and, because adding material onto the membrane, also K will increase. It is of no use, to make the thermocouple lines simply wider or narrower, since this has either an adverse effect on K or R . Only the combination of the three parameters in the form of Z gives a valid performance value.

It has even been noted, that this discussion only covers the effect on sensitivity – not to speak from the influence of e.g. the resistivity on noise and on amplifier bias current.

PerkinElmer Optoelectronics designs its thermopiles by simultaneously taking all relevant parameters into careful consideration. Powerful layout and simulation tools guarantee that the best combination of thermocouple number, their width and length, the amount of dopants, the size and thickness of the membrane and many more parameters are chosen.

This assures that all PerkinElmer thermopiles show a good performance – which is, however, distinct for every design.

thermophysics minima: Thermopiles for pyrometry

makes the charge carriers move back and forth. The average noise voltage, U_{noise} , generated at the lead outputs of a sensor is proportional to the square root of the sensor's resistance, R_{sens} , and the temperature, T . In particular:

$$U_{noise} = \sqrt{4k_B T \cdot R_{sens} B},$$

with k_B being the Boltzmann constant and B the considered bandwidth which is usually determined by the measuring device. To become independent from the measuring method, the noise voltage is normalized by \sqrt{B} and therefore given in $V/Hz^{1/2}$. In this case the symbol u_{noise} (with lower case u) is used.

Signal voltages below the noise values cannot be resolved. The incident radiation has to provide an output voltage which has at least the value of the noise. This minimum resolvable radiation power is called noise equivalent power (NEP) and is given by

$$NEP = \frac{u_{noise}}{S}.$$

It is measured in $W/Hz^{1/2}$. The PerkinElmer thermopiles show a typical NEP of $0.3 \text{ nW/Hz}^{1/2}$.

Detectivity:

There are cases where not the NEP is given as the characteristic figure, but its reciprocal value $1/NEP$. This is called detectivity, D , and it is measured in $Hz^{1/2}/W$.

Specific detectivity:

The parameter NEP and hence the detectivity depends on the area A_D of the specific detector. There is usually a square root dependence on the detector area. To be able to compare different sensor types, the detectivity is therefore normalized by $A_D^{1/2}$ defining a specific detectivity, D^* , by

$$D^* = \frac{\sqrt{A_D}}{NEP} = \frac{S \sqrt{A_D} B}{U_{noise}}.$$

It is measured in $\text{cm} \cdot \sqrt{\text{Hz}} / W$. Representative D^* -values for thermopile sensors are $1 \cdot 10^8$ to $3 \cdot 10^8 \text{ cm} \cdot \sqrt{\text{Hz}} / W$.

Response time:

When receiving radiation, the detector system needs a certain amount of time to come to a

thermal equilibrium. The characteristic time to reach this state is called the response time or time constant of the detector. It depends on the sensor geometry and thermal properties of the sensor materials. Typical response times for micro-machined sensors are in the ten millisecond range.

4 Temperature measurements by thermopiles

As already mentioned, a thermopile sensor can be an instrument to remotely measure the temperature of objects. This chapter will try to shed some light onto this method, but without going deep into mathematical theories. We will rather stick to physical and engineering explanations to develop a better feeling for the use of a thermopile for temperature measurements. For those who are interested to go deeper, we recommend the literature, e.g. [4].

For this purpose, we will first motivate to think in terms of *heat flow* and not so much in terms of temperature when considering the use of a thermopile sensor in an application. If we see an object with a certain temperature one should immediately remember that it sends out a heat flow of a determined spectral characteristic and density. The amount of radiative power per wavelength, which is sent out per unit area into the surroundings is given by the curves in Figure 1. It now depends on the area and the view field of the sensor, how much will be absorbed. The absorbed heat then, will be led through the thermocouples and the membrane structure, finally reaching the silicon rim and the housing bottom as the heat sinks. The heat flow through the material results in a temperature gradient. Thus the two thermocouple ends – those located on the absorber and those on the silicon rim – will have different temperatures. For a constant heat flow this temperature difference is constant as well.

So far so good. It seems to be straightforward now to calculate the absorbed heat from the read voltage and the sensitivity figure, but it needs some more consideration to determine the temperature of the measured object.

The most important point and often forgotten, is, that the sensor itself emits radiation, which is a function of its own temperature. Therefore the net amount of radiation which is absorbed by the sensor is a function of the temperature *difference* between object and sensor. Thus, a thermopile –

and any other radiation sensor – generates a signal proportional to the temperature difference between sensor and object. This makes it necessary for a remote temperature measurement not only to record the temperature rise of the absorber, but also to register the temperature of the sensor itself. For this purpose, the PerkinElmer thermopiles include a thermistor in the sensor housing which changes its resistance with temperature. Sensors with ASIC have an electronic circuit integrated which generates a signal proportional to the absolute temperature (PTAT).

It can also happen, that the object temperature is lower than that of the detector itself. In this case there is a net radiation flow from the sensor to the object (of course heat always goes from hot to cold). The sensor's absorber decreases its temperature and the resulting signal voltage is negative.

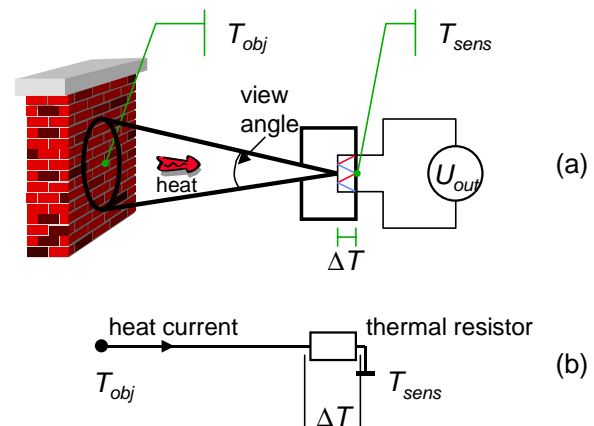


Figure 8: (a) The thermopile sensor as a current meter. It measures the heat current between the object and the thermopile housing by generating a small temperature drop, ΔT . (b) Equivalent electrical circuit. T_{obj} and T_{sens} are the two potentials which drive the heat current. This in turn generates the probing temperature ΔT .

We can therefore identify the thermopile sensor with a current meter that measures the heat current which flows between the object and the thermopile housing. Figure 8 illustrates the situation. The temperature difference between object and thermopile housing is the driving force (the voltage) for the thermal current. The thermopile resembles the (thermal) resistor that measures the current by building up a small temperature drop. This temperature drop in turn is converted into an electrical voltage.

This picture explains that a thermopile sensor is at first a heat flow sensor. Determination of the

object's temperature needs therefore the consideration of geometry, which means the field of view of the sensor and the area of the absorber. In practice, however, one employs a calibration procedure. This will be dealt with in the next paragraph.

4.1 Calibrating a thermopile for temperature measurements

There is the well known T^4 -dependence of the total emitted radiation flux of a black body (Stefan-Boltzmann law). This dependence is also valid if dealing with temperature differences. Then the heat flux is proportional to $T_{ob}^4 - T_{sens}^4$, with index 'ob' denoting the object and 'sens' the sensor. (Remark: As sensor temperature one should correctly take the temperature of the absorber. But since the temperature drop over the sensor, i.e. from absorber to housing, is only in the mK-range, it is sufficient to identify the temperature shown by the internal thermistor with T_{sens} .)

In the simplest case, one can therefore use the following relation for the reading of a thermopile sensor:

$$U_{out} = K \cdot (\epsilon T_{ob}^4 - T_{sens}^4).$$

The proportionality constant (sometimes called instrument factor) can simply be determined by sensing an object with known temperature. This procedure does not need any knowledge on sensor details such as absorber area and it is independent of the distance of the object as long as the sensor has a constant view angle (cf. Figure 8). In that case the distance between sensor and object has nearly no influence on the amount of exchanged heat and hence on the voltage reading, as long as the object fills the whole view

Thermal facts



If you want to measure the temperature of an object, you have to adjust the distance so that the thermopile *only* sees the object and nothing else. For this purpose a number of pyrometers have an additional internal light source (LED or laser spot) to mark the field of view. Thus, one can make sure, that the measurement spot does not overlap the region of interest.

field.

The emission coefficient, ϵ , is chosen to be 1 if the calibration is performed with a good black body. (For more details see paragraph 4.4)

The power factor value 4 is only correct, if (i) the whole wavelength spectrum is considered, (ii) the sensed object behaves as a good black (or gray) body, which means its radiation spectrum exhibits no exceptional peaks (color), and (iii) the sensor has a wavelength independent sensitivity.

The last point is mostly not fulfilled, since one usually senses in a certain wavelength range of the spectrum – for a thermopile, let's say between 5 and 20 μm . In this wavelength region most objects behave as black bodies.

This makes it necessary to modify the power factor to a smaller value – we will therefore write $4-\delta$.

This leads to the following ansatz for the calibration of a thermopile radiation sensor:

$$U_{out} = K \cdot (\epsilon T_{ob}^{4-\delta} - T_{sens}^{4-\delta}).$$

Now there are two unknown parameters, K and δ , for which determination two equations and hence, two calibration temperatures are required. One needs therefore two objects at two different calibrated temperatures.

Since the two unknown parameters are not necessarily independent of both temperatures, T_{ob} and T_{sens} , this two-point calibration procedure is usually only sufficient, when limiting the object and sensor (ambient) temperature to restricted intervals. Allowing both intervals to vary within 50 K an accuracy of ± 1 K is reachable. For 80 K intervals one should presume at least ± 2 K. Only for very narrow temperature ranges, this method can deliver an accuracy as good as ± 0.1 K.

4.2 Factors disturbing the accuracy

The above procedure is sufficient if the detector directly looks onto the measuring object and does not receive any other radiation. There are, however, components needed which define the optical path, the view angle and the spectral range. Therefore the sensor sees additionally the sensor cap which acts as an aperture and a filter or a lens, which are inserted into the optical path.

As long as these components have the same temperature as the sensor itself, no net radiation transfer takes place. In this case those objects are

Thermal facts



On the transparency of matter

Our daily experience tells us that glass is transparent. Therefore one might be astonished that the thermopile module delivers wrong results when sensing through a glass window.

One should remember that a green house is made of glass. This matter lets the sunshine in, which is absorbed by the plants and interior and thus converted to heat radiation. This infrared radiation is not able to escape, because for wavelengths above 2 μm , glass is completely impermeable.

On the other hand, there are substances, which at a first glance are intransparent. A slice of silicon, for example appears to be blue for our eyes, but it is virtually invisible for the IR measurement. Therefore silicon is the material of choice for infrared optical components.

Water is a substance, which often causes problems in infrared technology. Also, in this case, we might be aware that water is indeed transparent to our eyes, but not for IR radiation. A very thin film of condensed water on the inlet window of a radiation meter can lead to completely wrong measurement results. The danger is that you might not be aware of the wrong reading – it is very much like the case, that your glasses are dirty: you still can see, but not as clearly as normal.

Thus take care to hold all infrared windows clean and free of moisture and ice.

invisible for the thermopile. Hence, a careful design of a radiation thermometer should assure that all optical components as apertures and filters have a good thermal contact to the sensor base plate (i.e. the thermal ground of the thermopile) and that there is additionally a weak thermal link of these components to the surrounding. The required weak link can be done by an additional shielding of the sensor.

Problems arise, if, let's say, the filter or the aperture are more affected by temperature changes from the surroundings than the sensor itself. This can happen if there is an extensive heat dissipation close to the sensor by e.g. switching on a

heater or the radiation thermometer is brought inside a warm room. Then, these components generate an additional signal. For applications, where this situation can be foreseen, it can be an advantage to attach an additional temperature sensor to the part in question (aperture, filter) and to record an optics temperature T_{optics} . It is then possible to extend the calibration equation from paragraph 4.1 as follows:

$$U_{out} = K \cdot (\epsilon T_{ob}^n + K' T_{optics}^n - T_{sens}^n).$$

Now there appears the additional parameter K' in the equation, which determination makes a third calibration temperature necessary.

4.3 Practice of ambient temperature compensation

The output of a thermopile radiation detector is a function of the temperature *difference* of object and sensor. Therefore it is essential for the calculation of the object's temperature to know the temperature of the sensor, which in most cases is identical with the ambient temperature and to correct the measured value appropriately. This procedure is called *temperature compensation*.

For a computerized system, the procedure is more or less straightforward. From the thermopile signal one gets the value for the temperature difference. An additional device coupled to the sensor allows to determine the absolute temperature of the sensor. The two temperatures just have to be added.



Figure 9: PerkinElmer Optoelectronics thermopile modules with mirror optics. The modules have an on-board signal amplification and temperature compensation and come completely calibrated – ready to plug-in. The employed system guarantees full interchangeability, which makes a manufacturing process easy. In case of service requirement, one can simply replace one module by another.

In its simplest form, the additional device for ambient temperature recording is a piece of a

semiconductor, which changes its electric conductivity with the temperature – this is a so-called thermistor. (There is one shown on the photo in Figure 5.) The thermistor's calibration curves are well specified. Measurement of conductivity is performed by sending a very low current through the thermistor and recording the voltage drop. The current must be kept low (lets say 1 μA) in order to avoid unnecessary heating.

PerkinElmer has developed thermopile modules (some of them are shown in Figure 9), where an analogue processor is employed for ambient temperature compensation. Here, a voltage signal is generated from the thermistor and added to the voltage from the thermopile in a second amplifier stage (cf. Figure 10). This additionally generated voltage must of course be equivalent to one that would be delivered by the thermopile, if working at a fixed reference temperature (0 K or 0 $^{\circ}\text{C}$) and sensing an object at ambient temperature. Usually this is performed by adjusting the amplification of an operational amplifier as illustrated in Figure 10.

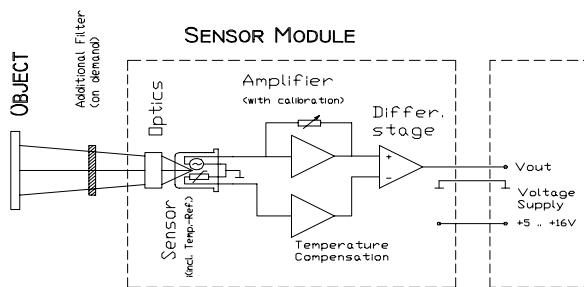


Figure 10: Thermopile sensor with analogue ambient temperature compensation. The output signal still shows the $T^{4-\delta}$ -behavior, but now independent of the ambient temperature.

The output of the circuit in Figure 10 is a voltage that only depends on the object temperature as

$$U_{out} = K \cdot \varepsilon T_{ob}^{4-\delta},$$

with K now additionally including the overall amplification factor of the circuit. The calibration procedure can be performed as usual.

4.4 On the emission coefficient

In chapter 4.1 the emission coefficient, ε , was introduced. It is a measure of how efficiently a surface emits energy compared to a surface at the same temperature that is a perfect emitter. The emission coefficient can therefore take values between 0 and 1. Human skin is one of the highest emitters with $\varepsilon = 0.98$. Most other nonmetallic

surfaces such as paint, wood and plastic, also have high emissivity values – usually over 0.8. Because of their easy movable electrons, metals, especially shiny ones, do not emit radiation energy efficiently. Their emission coefficients are low, typically between 0.05 and 0.2.

Shiny metals are inefficient emitters. This means that shiny surfaces will seldom give us a reliable indication of their true temperature. Shiny metals are also highly reflective – they are thermal mirrors, which make you to measure the reflected surrounding instead the object itself. An aluminium steam pipe can be very hot when it may look cool by the thermopile measurement!

One might think it is sufficient to input a low emission coefficient into the measurement system and then the result will be accurate when sensing a piece of metal. But the signal received by the sensor is usually not only distorted because of its low intensity, but also by the reflections mirrored from the surroundings onto the absorber. Thus, without addressing background temperature, relative humidity and distance to target, an accurate measurement is impossible if the emission coefficient is lower than, lets say, 0.5.

➔ Whenever possible, change the surface emissivity to something higher. For instance, place tape or a paint spot on the metal.

5 Frequently asked questions

Why do I have to use a filter in front of the thermopile?

The thermopile sensor calculates the temperature from the intensity of the received radiation. The procedure is based on the theoretical black body (thermal) radiation behavior. If the radiation contains any enhanced components, which means the object has some “color”, the calculation will be incorrect. In the infrared region for wavelengths above 5 μm most objects show the black body radiation curves (modified by the emission coefficient), thus allowing an accurate measurement. Even painted surfaces, which definitively have a color in the visible region, behave as a black body in the infrared. A filter in front of the thermopile therefore assures, that only the desired IR radiation hits the absorber.

The filter has an additional positive effect. It protects the thermopile structure from contamination by dirt or gases. Another window placed in front of the optics (essential in microwave or



Smoothing out ambient temperature swings

Imagine that your infrared temperature measuring system is stored at a warm place, but you need it urgently to check some thermal conditions at a machine, which is working outside in the cold winter.

When bringing your thermopile device outside, the optics usually cools down much faster than the sensor itself. A measurement procedure, without waiting for thermal equilibrium of the whole device will then affect the temperature reading – in this case the meter will show a lowered value.

To speed up the time until thermal equilibrium is reached, one might think that it is of advantage to design the system in a way which assures a good thermal contact of the sensor to the ambient. Such an intense coupling, however, will lead to large noise signals, since small spatial inhomogeneities in the temperature of the surrounding are then easily to be seen in the output signal. Just imagine your warm hand moving in the vicinity of the sensor housing. It will immediately lead to small changes in sensor temperature and thus to output signal fluctuations.

Instead, one should go the opposite way: Give the sensor housing a large thermal mass, by e.g. encapsulating the sensor in a massive metal block.

continued...➤

cooking applications) protects the sensitive and difficult to clean reflecting surfaces from condensed grease and vapor, especially water. The filter itself is easy to clean – and it is important to hold it clean (see the “thermal facts” box “on the transparency of matter”).

Why do I have to correct my signal for the ambient temperature?

The amount of radiation received by the thermopile sensor is dependent on the temperature *difference* between object and sensor itself. Therefore the sensor temperature (this is mostly identical with the ambient temperature) must be re-

thermophysical minima. Thermopiles for pyrometry

...continued:

This system which now possesses a large heat capacity is to be further connected to the ambient by very weak thermal links — perhaps by employing thin plastic connections to an outer plastic housing representing a large thermal resistance.

It now corresponds to a thermal RC-circuit which acts as a thermal low pass and smoothes out ambient temperature fluctuations. This reduces drastically the mentioned thermal noise, assuring a very stable measurement.

If there is now an ambient temperature swing as in our example, the sensor system will reach the new thermal equilibrium state with a long, but now easy to determine time constant. The long transient time seems at first to be of disadvantage, but since the system's behavior is now well characterized, one can straightforwardly include a correction routine in the temperature calculation, which derives its correction value from the time derivation of the output signal. For small and very slow temperature changes, a correction may even be not necessary, since the developing temperature gradients in the sensor system are then negligible.

In conclusion: A large thermal RC-value will make the measurement less susceptible to temperature inhomogeneities in the surroundings and additionally to slow temperature changes of the ambient temperature as a whole. Very stable readings are received.

corded and considered. This is generally done by using a thermistor.

How do I use the internal thermistor in the thermopile?

The thermistor senses the temperature T by changing its resistance R as a known function of temperature. Please ask for the tabulated $R(T)$ values for the employed thermistor types. To measure the actual resistance during thermopile operation, one has to send a known electrical current through the device and measure the resulting voltage drop. Please keep in mind that the current through the resistor, however, dissipates heat in the thermopile housing which may change



the temperature of the sensor. To hold this heat source as small as possible, the measuring current must be kept to a minimum. A value of 1 to 5 μA is mostly sufficient for an accurate measurement.

What circumstances can adversely affect my sensor readout?

The most severe problems arise from temperature swings of the optics. If the sensor cap or the filter or lens change their temperature much faster than the sensor base plate, i.e. the sensor itself, then this will act as an additional signal source and influence the sensor output signal. If the heating is large, it can even happen that the amplifier goes into saturation. One way how to deal with this problem is explained in the above box “design hint”.

What to do if I am interested to know more about thermopile implementation?

Please contact PerkinElmer Optoelectronics directly in Wiesbaden, Germany, or through one of the various offices worldwide. Their addresses together with additional information are obtainable from our websites:

<http://www.perkinelmer.com> or contact directly:

6 Literature

- [1] J. Schilz, thermophysics minima: applications of thermoelectric infrared sensors (thermopiles): gas detection by infrared absorption; NDIR, PerkinElmer Optoelectronics (2000).
- [2] J. Schieferdecker, R. Quad, E. Holzenkämpfer, M. Schulze: *Infrared thermopile sensors with high sensitivity and very low temperature coefficient*, Sensors & Actuators A 46-47 (1995) 422-427.
- [3] J. Schieferdecker, M. Simon, K. Storck, R. Jähne: *Thermopile infrared sensor for detection of position, presence and direction of movement*, Proc. of Euro-sensors XII, Southampton, Sept. 1998.
- [4] G.C.M. Meijer and A.W. van Herwaarden, *Thermal Sensors*, IOP Publishing Ltd., Bristol and Philadelphia (1994).

SUNSTAR商斯达实业集团是集研发、生产、工程、销售、代理经销、技术咨询、信息服务等为一体的高科技企业，是专业高科技电子产品生产厂家，是具有10多年历史的专业电子元器件供应商，是中国最早和最大的仓储式连锁规模经营大型综合电子零部件代理分销商之一，是一家专业代理和分销世界各大品牌IC芯片和电子元器件的连锁经营综合性国际公司。在香港、北京、深圳、上海、西安、成都等全国主要电子市场设有直属分公司和产品展示展销窗口门市部专卖店及代理分销商，已在全国范围内建成强大统一的供货和代理分销网络。我们专业代理经销、开发生产电子元器件、集成电路、传感器、微波光电元器件、工控机/DOC/DOM电子盘、专用电路、单片机开发、MCU/DSP/ARM/FPGA软件硬件、二极管、三极管、模块等，是您可靠的一站式现货配套供应商、方案提供商、部件功能模块开发配套商。专业以现代信息产业（计算机、通讯及传感器）三大支柱之一的传感器为主营业务，专业经营各类传感器的代理、销售生产、网络信息、科技图书资料及配套产品设计、工程开发。我们的专业网站——中国传感器科技信息网（全球传感器数据库）www.SENSOR-IC.COM 服务于全球高科技生产商及贸易商，为企业科技产品开发提供技术交流平台。欢迎各厂商互通有无、交换信息、交换链接、发布寻求代理信息。欢迎国外高科技传感器、变送器、执行器、自动控制产品厂商介绍产品到中国，共同开拓市场。本网站是关于各种传感器-变送器-仪器仪表及工业自动化大型专业网站，深入到工业控制、系统工程计 测量、自动化、安防报警、消费电子等众多领域，把最新的传感器-变送器-仪器仪表买卖信息，最新技术供求，最新采购商，行业动态，发展方向，最新的技术应用和市场资讯及时的传递给广大科技开发、科学研究、产品设计人员。本网站已成功为石油、化工、电力、医药、生物、航空、航天、国防、能源、冶金、电子、工业、农业、交通、汽车、矿山、煤炭、纺织、信息、通信、IT、安防、环保、印刷、科研、气象、仪器仪表等领域从事科学研究、产品设计、开发、生产制造的科技人员、管理人员、和采购人员提供满意服务。我公司专业生产、代理、经销、销售各种传感器、变送器、敏感元器件、开关、执行器、仪器仪表、自动化控制系统：专门从事设计、生产、销售各种传感器、变送器、各种测控仪表、热工仪表、现场控制器、计算机控制系统、数据采集系统、各类环境监控系统、专用控制系统应用软件以及嵌入式系统开发及应用等工作。如热敏电阻、压敏电阻、温度传感器、温度变送器、湿度传感器、湿度变送器、气体传感器、气体变送器、压力传感器、压力变送、称重传感器、物（液）位传感器、物（液）位变送器、流量传感器、流量变送器、电流（压）传感器、溶氧传感器、霍尔传感器、图像传感器、超声波传感器、位移传感器、速度传感器、加速度传感器、扭距传感器、红外传感器、紫外传感器、火焰传感器、激光传感器、振动传感器、轴角传感器、光电传感器、接近传感器、干簧管传感器、继电器传感器、微型电泵、磁敏（阻）传感器、压力开关、接近开关、光电开关、色标传感器、光纤传感器、齿轮测速传感器、时间继电器、计数器、计米器、温控仪、固态继电器、调压模块、电磁铁、电压表、电流表等特殊传感器。同时承接传感器应用电路、产品设计和自动化工程项目。

欢迎索取免费详细资料、设计指南和光盘；产品凡多，未能尽录，欢迎来电查询。

更多产品请看本公司产品专用销售网站：

商斯达中国传感器科技信息网：<http://www.sensor-ic.com/>

商斯达工控安防网：<http://www.pc-ps.net/>

商斯达电子元器件网：<http://www.sunstare.com/>

商斯达微波光电产品网：[HTTP://www.rfoe.net/](http://www.rfoe.net/)

商斯达消费电子产品网：<http://www.icasic.com/>

商斯达军工产品网：<http://www.junpinic.com/>

商斯达实业科技产品网：<http://www.sunstars.cn/>传感器销售热线：

地址：深圳市福田区福华路福庆街鸿图大厦1602室

电话：0755-83607652 83376489 83376549 83370250 83370251 82500323

传真：0755-83376182 (0) 13902971329 MSN: SUNS888@hotmail.com

邮编：518033 E-mail: szss20@163.com QQ: 195847376

技术支持：0755-83394033 13501568376

SUNSTAR 商斯达实业集团是集研发、生产、工程、销售、代理经销、技术咨询、信息服务等为一体的高科技企业，是专业高科技电子产品生产厂家，是具有 10 多年历史的专业电子元器件供应商，是中国最早和最大的仓储式连锁规模经营大型综合电子零部件代理分销商之一，是一家专业代理和分销世界各大品牌 IC 芯片和电子元器件的连锁经营综合性国际公司，专业经营进口、国产名厂名牌电子元件，型号、种类齐全。在香港、北京、深圳、上海、西安、成都等全国主要电子市场设有直属分公司和产品展示展销窗口门市部专卖店及代理分销商，已在全国范围内建成强大统一的供货和代理分销网络。我们专业代理经销、开发生产电子元器件、集成电路、传感器、微波光电元器件、工控机/DOC/DOM 电子盘、专用电路、单片机开发、MCU/DSP/ARM/FPGA 软件硬件、二极管、三极管、模块等，是您可靠的一站式现货配套供应商、方案提供商、部件功能模块开发配套商。商斯达实业公司拥有庞大的资料库，有数位毕业于著名高校——有中国电子工业摇篮之称的西安电子科技大学（西军电）并长期从事国防尖端科技研究的高级工程师为您精挑细选、量身订做各种高科技电子元器件，并解决各种技术问题。

更多产品请看本公司产品专用销售网站：

商斯达中国传感器科技信息网：<http://www.sensor-ic.com/>

商斯达工控安防网：<http://www.pc-ps.net/>

商斯达电子元器件网：<http://www.sunstare.com/>

商斯达微波光电产品网：[HTTP://www.rfoe.net/](http://www.rfoe.net/)

商斯达消费电子产品网：<http://www.icasic.com/>

商斯达实业科技产品网：<http://www.sunstars.cn/>

传感器销售热线：

地址：深圳市福田区福华路福庆街鸿图大厦 1602 室

电话：0755-83370250 83376489 83376549 83607652 83370251 82500323

传真：0755-83376182 (0) 13902971329 MSN: SUNS8888@hotmail.com

邮编：518033 E-mail:szss20@163.com QQ: 195847376

深圳赛格展销部：深圳华强北路赛格电子市场 2583 号 电话：0755-83665529 25059422

技术支持：0755-83394033 13501568376

欢迎索取免费详细资料、设计指南和光盘；产品凡多，未能尽录，欢迎来电查询。

北京分公司：北京海淀区知春路 132 号中发电子大厦 3097 号

TEL: 010-81159046 82615020 13501189838 FAX: 010-62543996

上海分公司：上海市北京东路 668 号上海赛格电子市场 2B35 号

TEL: 021-28311762 56703037 13701955389 FAX: 021-56703037

西安分公司：西安高新开发区 20 所(中国电子科技集团导航技术研究所)

西安劳动南路 88 号电子商城二楼 D23 号

TEL: 029-81022619 13072977981 FAX:029-88789382