

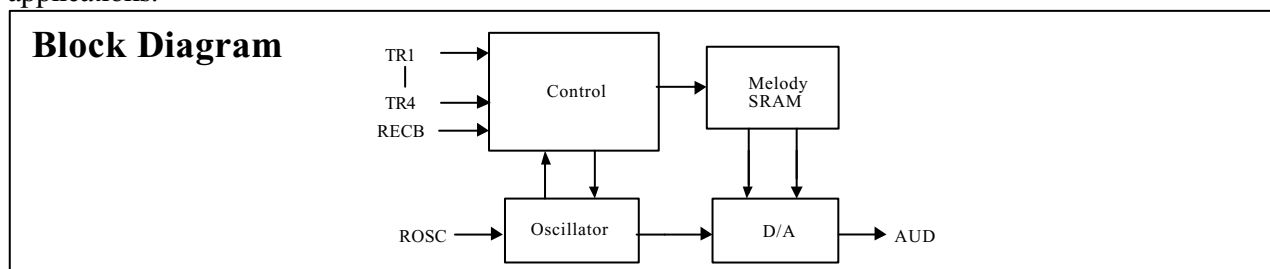
## PLAYBACK / RECORD WITH MELODY GENERATOR

### Features

- Operating voltage range: 3.3V - 5.0V
- Low power consumption in Power Down mode
- Built-in 108 K bits SRAM (based on 6 K sampling rate and 6 seconds of recording length)
- 780 notes dual tone melody
- Dual oscillators for melody and record/playback
- Provide four triggers (TR1B - TR4B) and three kinds of trigger modes:
  - TR1B: ONE-SHOT trigger key
  - TR2B: LEVEL-HOLD trigger key
  - TR3B, TR4B: ON/OFF trigger key
- Provide CNT1, CNT2, CNT3 as outputs:
  - CNT1: recording indicator
  - CNT2: playing indicator
  - CNT3: melody playing indicator (Flashing of LED follows main tone of the melody.)
- Pin options:
  - 1: 3Hz LED flashing or according to main tone
  - 2: Recorder + melody  
Recorder + melody + recorder  
Recorder Only
- Provide "BEEP" sound to indicate playing starting and memory full. The frequency (2 KHz or 4 KHz), playing times (two or three times), and sound enabled/disabled of the "BEEP" sound can be changed by mask option.
- Typical oscillator frequency for the recorder: 192 KHz
- Typical oscillator frequency of melody: 128KHz

### General Description

S0075 is a record/playback & melody generator IC which has a built-in SRAM to save voice data, A/D and D/A converters to digitize voices, and microphone amplifier to amplify voice signals, so that only few external components is needed. It has four trigger pins, where each trigger pin can directly trigger the corresponding melody group. The Play function provides three different trigger modes (one-shot, level-hold, On/Off). S0075 also provides three output pins (CNT1, CNT2, CNT3) to meet different user applications. S0075 is suitable for message reminders, alarm clocks, toys, and other melody applications.



**Absolute Maximum Ratings**

DC Supply Voltage.....-0.3V to 6.0V  
 Input/Output Voltage.....GND -0.2V to VDD + 0.2V  
 Operating temperature.....-10°C to 60°C  
 Storage Temperature.....-25°C to 125°C

**Comments\***

Never allow a stress to exceed the values listed under "Absolute Maximum Ratings", otherwise the device would suffer from a permanent damage. Nor is a stress at the listed value be allowed to persist over a period, since an extended exposure to the absolute maximum rating condition may also affect the reliability of the device, if not causing a damage thereof.

**Electrical Characteristics**(VDD = 4.5V, T<sub>A</sub>=25°C)

Parameter	Symbol	Min.	Typ.	Max.	Conditions
Operating Voltage	VDD	3.3V	4.5V	5.0V	Unload
Operating Current	I <sub>DD</sub>	-	1.2mA	-	Unload
Stand-by Current	I <sub>STB</sub>	-	1.0μA	5μA	Full load
Output Driving	I <sub>LED</sub>	-	10mA	-	V <sub>OH</sub> = 2.0V
Output For Aud	I <sub>AUD</sub>	-	1.2mA	-	V <sub>OH</sub> = 0.7V

**Pin Description**

Designation	Description
MOSC	Melody oscillator pin
ROSC	Recorder oscillator pin
RECB	Recording trigger pin
TR1B	One-shot trigger pin (retriggerable)
TR2B	Level hold trigger pin
TR3B	ON/OFF trigger pin
TR4B	ON/OFF trigger pin
T1B	Test mode input
T2B	Test mode output
VDD	Positive power supply
GND	Negative power supply
AUD	Audio output pin
MICG	Microphone ground switch pin to save power. Active high
CNT1	The CNT1 is high in recording state. Active high
CNT2	The CNT2 pin is high in playback state. Active high
CNT3	LED driver pin. The LED flashes according to main tone of the melody.
MIN	Microphone input pin
MODE1	Mode select pin1 If MODE1 connect to floating = recorder only If MODE1 connect to VDD = recorder + melody + recorder If MODE1 connect to GND = recorder + melody

# S0075

MODE2	Mode select pin2 (internal pull low) If MODE2 connect to VDD =LED flash follow main tone If MODE2 connect to GND = LED 3Hz flash
-------	--

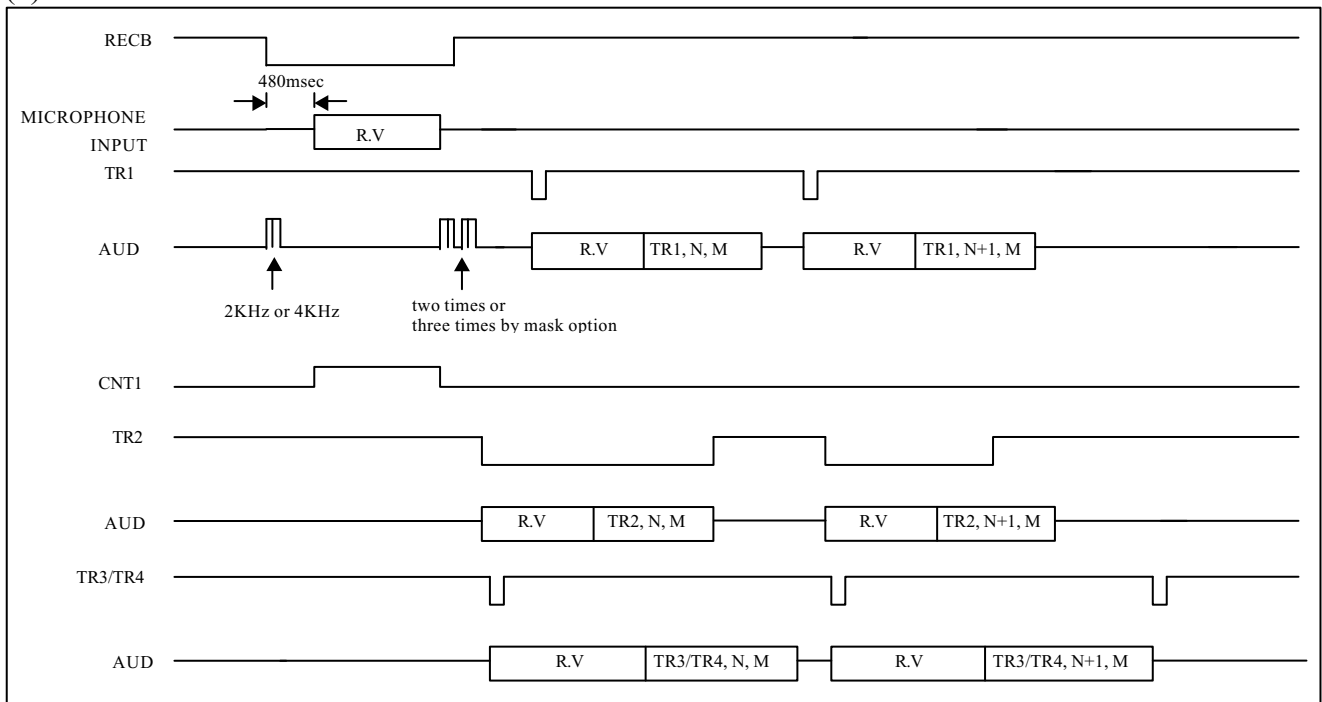
## Function Description

“N” is a trigger key corresponding to the number of melody.

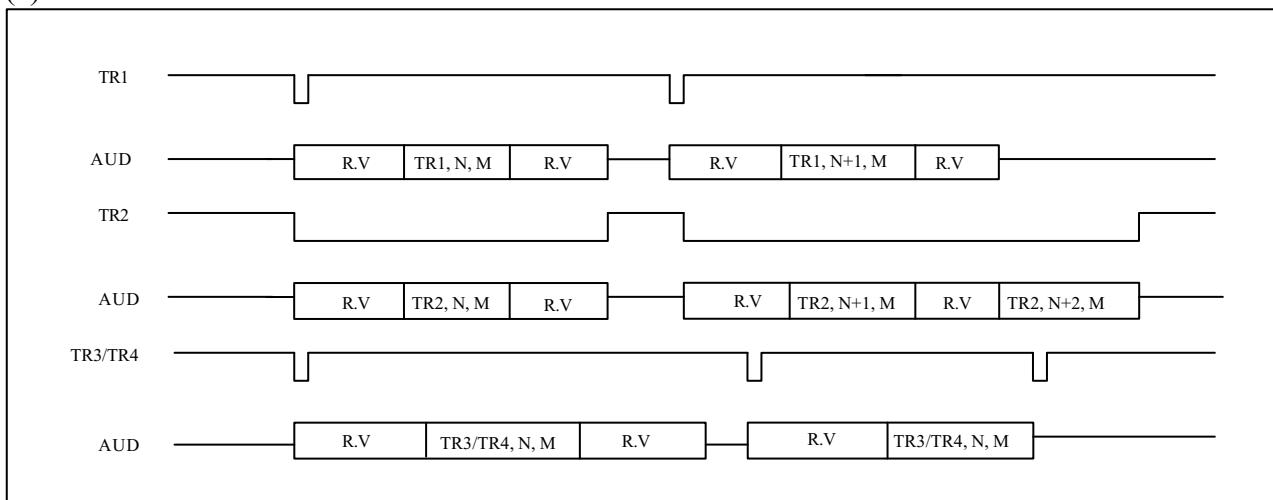
“M” is melody.

R.V. = Recording Voice

### (1) MODE = GND

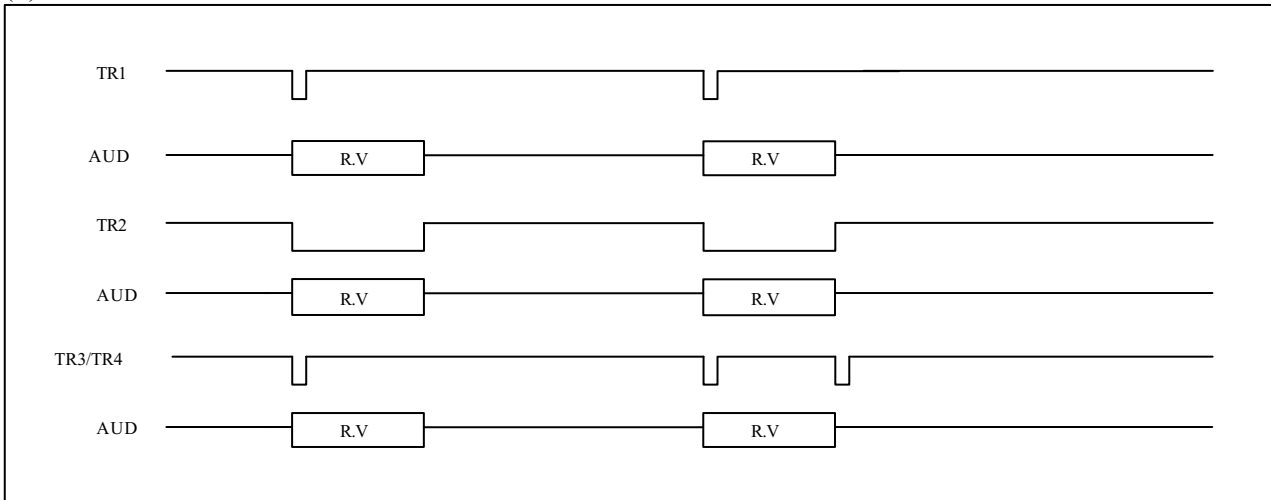


### (2) MODE = VDD



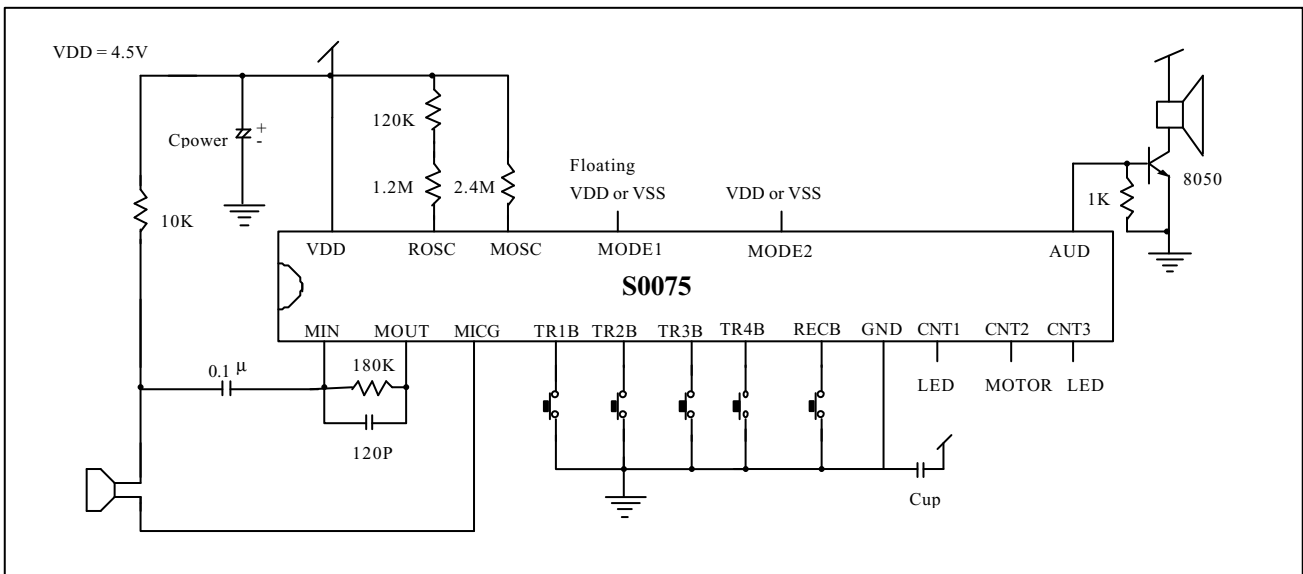
# S0075

## (3) MODE = FLOATING



## Application Circuit

1.



### Note:

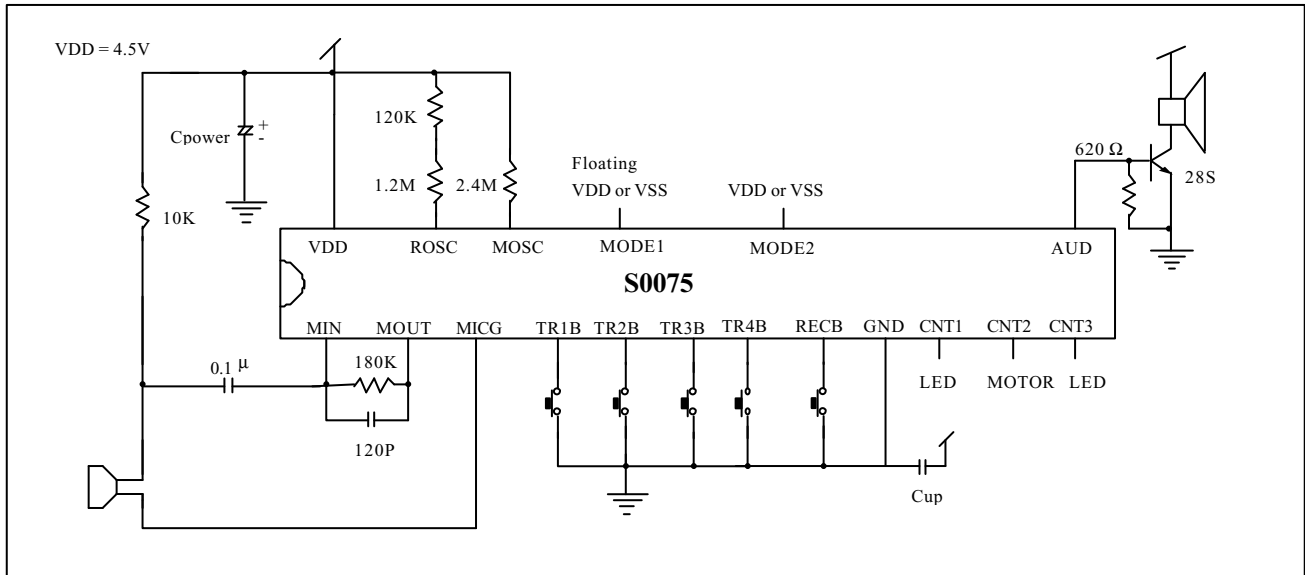
Cpower : 0.1µF ~ 10µF

Cup: 0.1µF

Transistor use a 8050

# S0075

2.



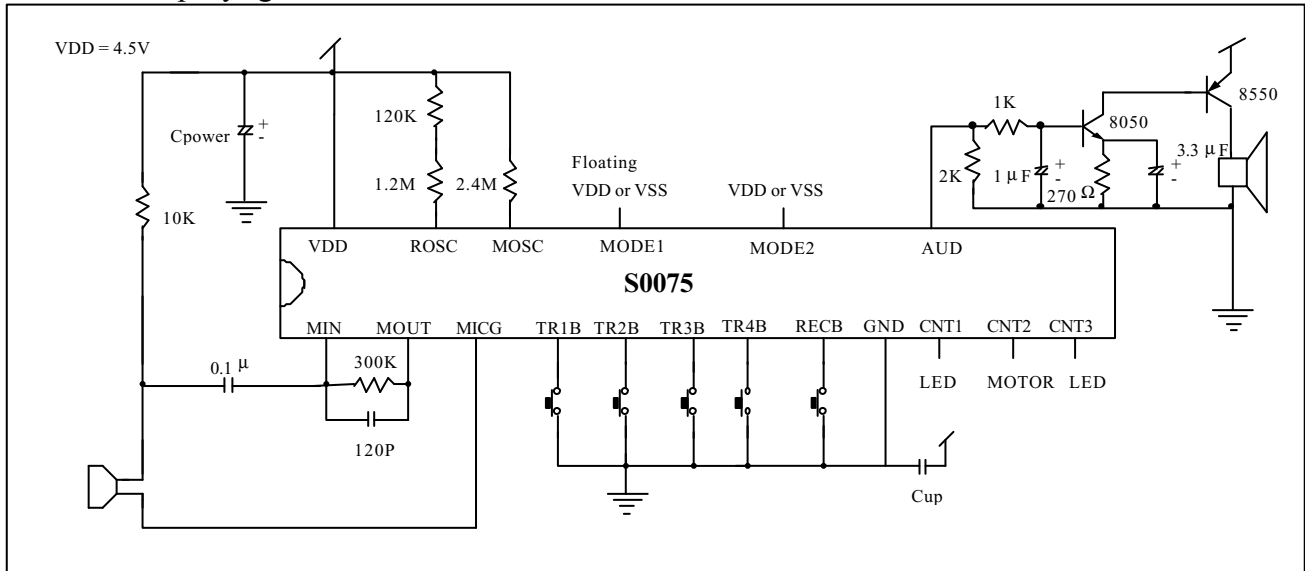
**Note:**

Cpower : 0.1μF ~ 10μF

Cup: 0.1μF

Transistor use a 28S

3. Volume amplifying



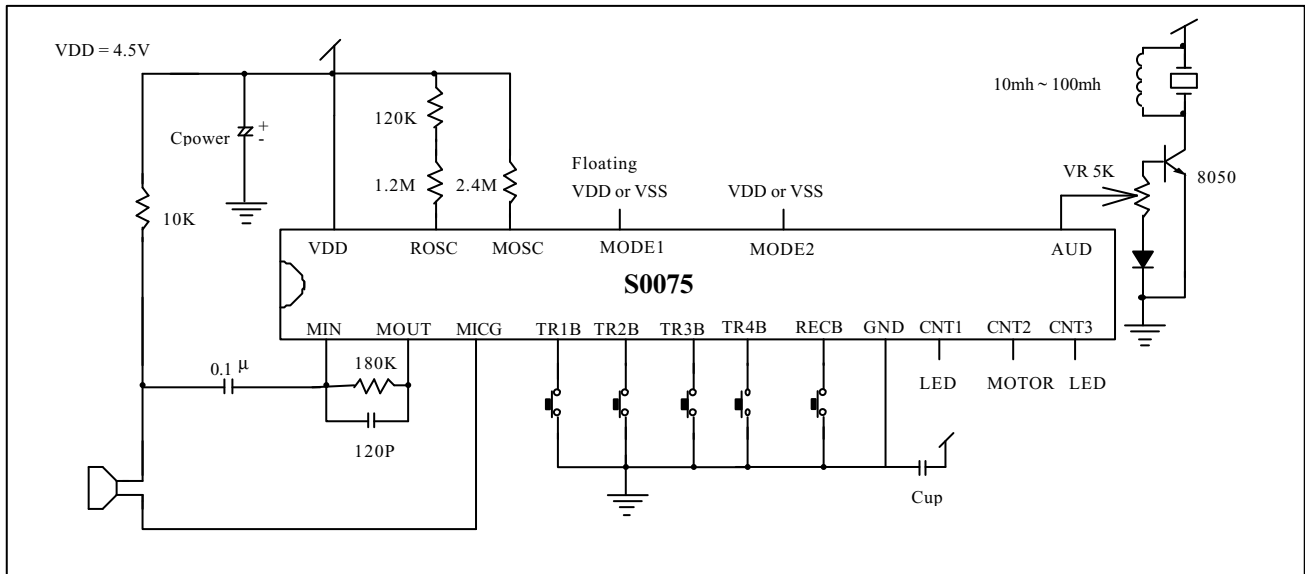
**Note:**

Cpower : 0.1μF ~ 10μF

Cup: 0.1μF

# S0075

## 4. For piezo

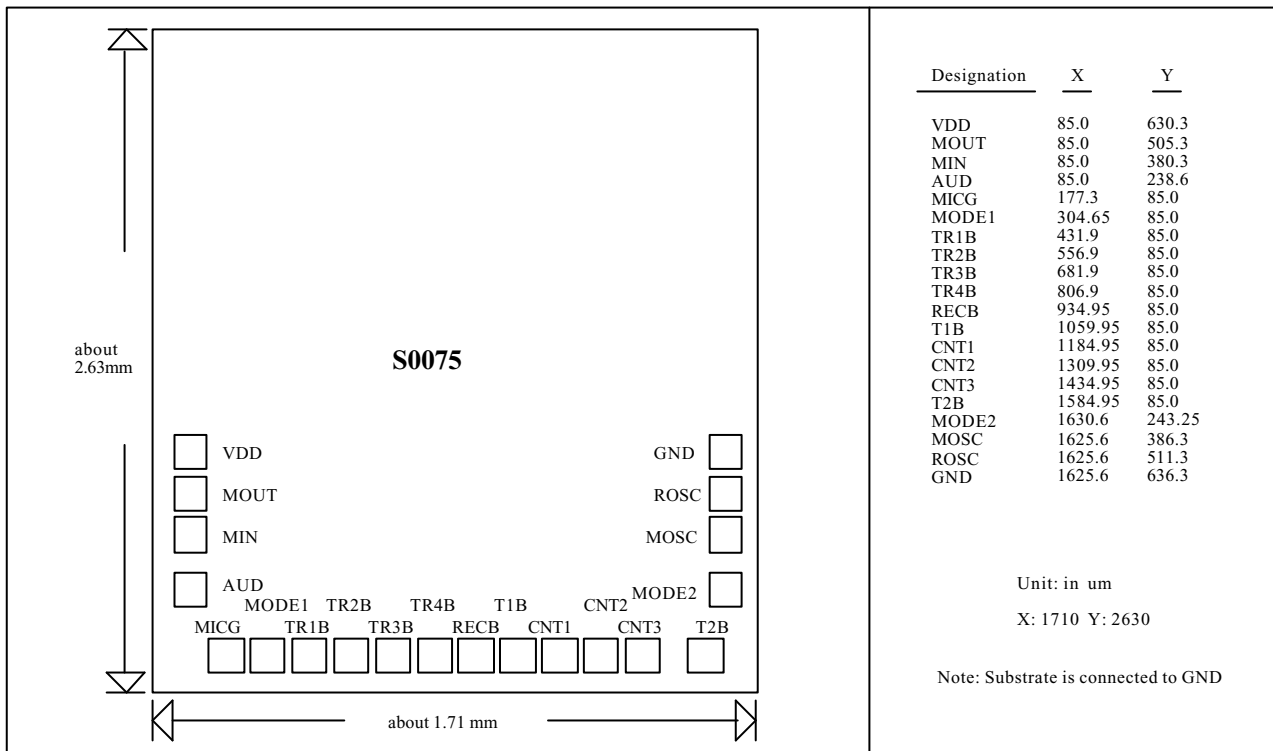


**Note:**

Cpower : 0.1µF ~ 10µF

Cup: 0.1µF

## Bonding Diagram



## Song List

### S0075-1:

#### TR1B

1. Edelweiss
2. Speak Softiy Love
3. Lamour Est Blue

#### TR2B

1. Minuet
2. Toy Symphony
3. Silver Threads Among The Gold

#### TR3B

1. Happy Birthday

#### TR4B

1. Jingle Bells
2. Sleigh Ride
3. Angels We Have Head On High

欢迎索取免费详细资料、设计选型指南和光盘、样品；产品繁多未能尽录，欢迎来电查询。

[中国传感器科技信息网：HTTP://WWW.SENSOR-IC.COM/](http://WWW.SENSOR-IC.COM/)

[工控安防网：HTTP://WWW.PC-PS.NET/](http://WWW.PC-PS.NET/)

[消费电子专用电路网：HTTP://WWW.SUNSTARE.COM/](http://WWW.SUNSTARE.COM/)

E-MAIL：[xjr5@163.com](mailto:xjr5@163.com) [szss20@163.com](mailto:szss20@163.com)

MSN：[suns8888@hotmail.com](mailto:suns8888@hotmail.com)

QQ: 195847376

地址：深圳市福田区福华路福庆街鸿图大厦 1602 室

电话：0755-83376549 83376489 83387030 83387016

传真：0755-83376182 83338339 邮编：518033 手机：(0)13902971329

深圳展销部：深圳华强北路赛格电子市场 2583 号 TEL/FAX：  
0755-83665529 25059422

北京分公司：北京海淀区知春路 132 号中发电子大厦 3097 号

TEL：010-81159046 82615020 13501189838 FAX：010-82613476

上海分公司：上海市北京东路 668 号上海赛格电子市场 2B35 号

TEL：021-28311762 56703037 13701955389 FAX：021-56703037

西安分公司：西安高新开发区 20 所(中国电子科技集团导航技术研究所)  
西安劳动南路 88 号电子商城二楼 D23 号

TEL：029-81022619 13072977981 FAX:029-88789382

成都：TEL:(0)13717066236

技术支持：0755-83394033 13501568376